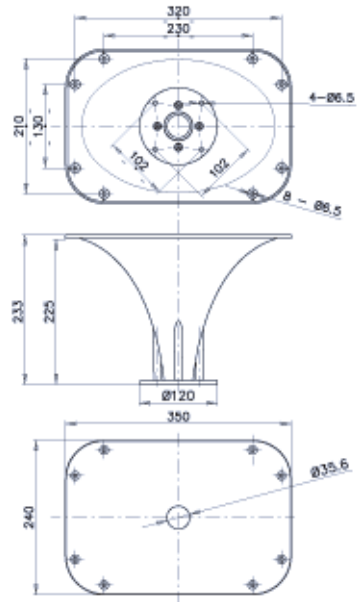




LTH142 HF Horns



NOMINAL SPECIFICATIONS

Throat Diameter	35.6 mm (1.4 in)
Frequency Range	0.5÷18 kHz
Reccomended Crossover Frequency (1)	0.8 kHz
Horizontal Nominal Coverage (-6dB) (2)	60°
Vertical Nominal Coverage (-6dB) (2)	50°
Directivity Index (4)	9.5 dB
Material	PC/ABS
Mouth Height	240 mm (9.5 in)
Mouth Width	350 mm (13.8 in)
Depth	233 mm (9.2 in)
Mouth Mounting Holes (4x)	6.5 mm (0.26 in)
Net Weight	890 Kg (1.96 lb)
Shipping Weight	1.44 Kg (3.17 lb)
Shipping Box	380x255x245 mm (15.0x10.0x9.6 in)

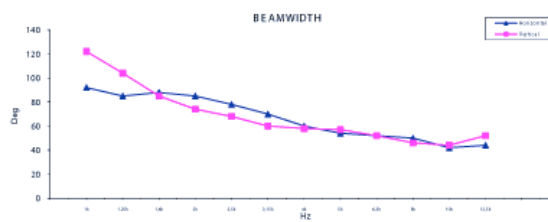
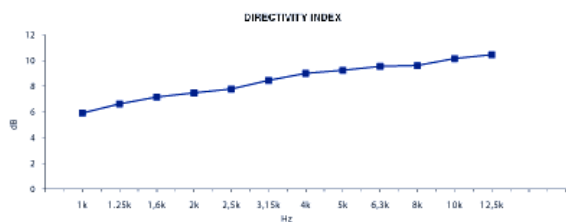
NOTES

(1) 4 π sr acoustic loading

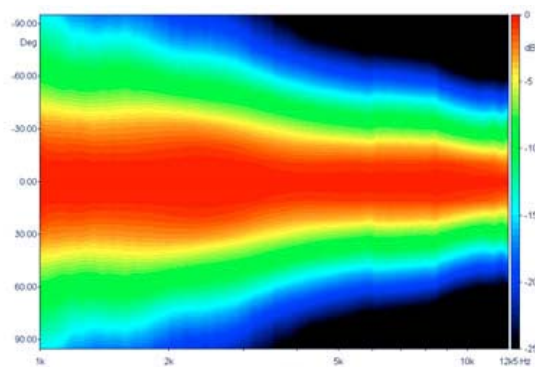
(2) Average value in frequency range: 1÷12.5 KHz

(4) Average values on horizontal and vertical planes

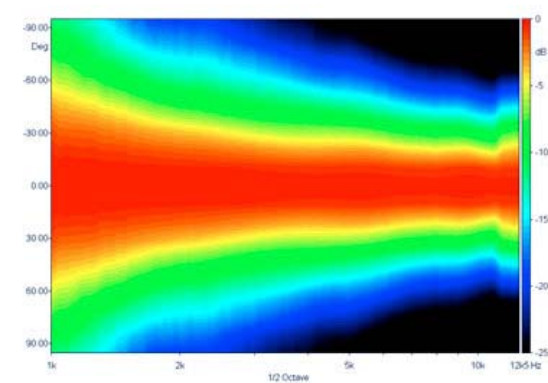
CURVES



BEAMWIDTH

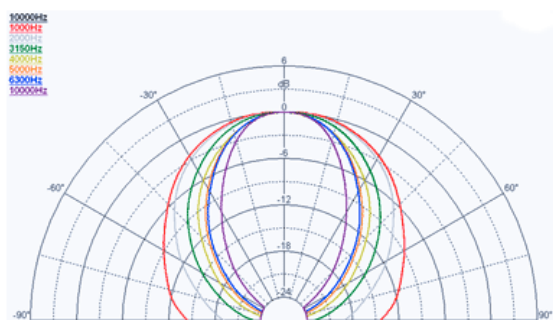


Horizontal Beamwidth

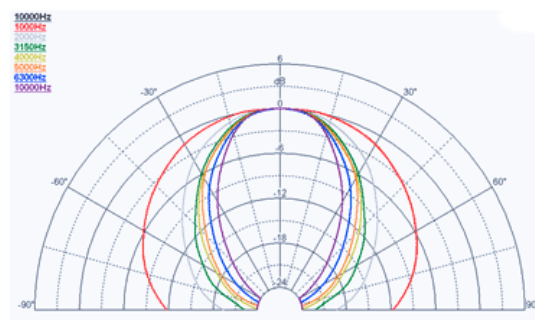


Vertical Beamwidth

POLAR PATTERN



Horizontal Polar Pattern



Vertical Polar Pattern