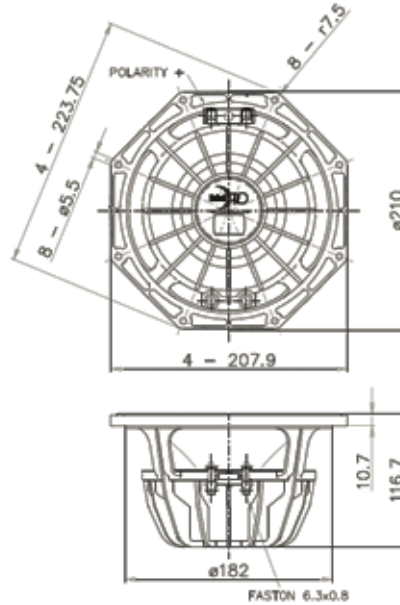




W8N8-150 Professional Series



NOMINAL SPECIFICATIONS

Nominal Diameter	200 mm (8 in)
Overall Diameter	223.8/207.9 mm (8.81/8.18 in)
Bolt Circle Diameter	210 mm (8.27 in)
Baffle Cutout Diameter	184 mm (7.24 in)
Depth	116.7 mm (4.59 in)
Flange and Gasket Thickness	10.7 mm (0.42 in)
Net Weight	1.7 Kg (3.74 lb)
Shipping Box (Single Carton Box)	235x235x155 mm (9.25x9.25x6.1 in)
Shipping Weight	2.1 Kg (4.62 lb)

ELECTRICAL SPECIFICATION

Nominal Impedance	8 Ohm
Minimum Impedance	6.5 Ohm
Nominal Power Handling *	150 W
Maximum Power Handling **	300 W
Sensitivity (1W/1m)	94 dB
Frequency Range	80-6300 Hz
Voice Coil Diameter	52 mm (2 in)
Winding Material	Al
Former Material	Glass Fiber
Winding Depth	13.5 mm (0.53 in)
Magnetic Gap Depth	8 mm (0.31 in)
Flux Density	1 T

THIELE & SMALL PARAMETERS

Fs	76 Hz
Re	5.8 Ohm
Qes	0.59
Qms	4.72
Qts	0.53
Vas	11.9 dm ³ (0.42 ft ³)
Sd	200 cm ² (31 in ²)
Xmax ***	5.42 mm
Xdamage ****	12 mm
Mms	20.9 g
Bl	9.86 N/A
Le	0.55 mH
Mmd	19.4 g
Cms	0.2 mm/N
Rms	2.11 Kg/s
Eta Zero	0.85 %
EBP	128 Hz

NOTES

(*) 2 Hours Test According to AES 2-1984 Rev. 2003

(**) Maximum power is defined as 3dB greater than nominal power.

(***) $X_{max} = [(winding\ depth - magnetic\ gap\ depth) / 2] + (magnetic\ gap\ depth / 3)$

(****) Maximum excursion before permanent damage

CURVES

