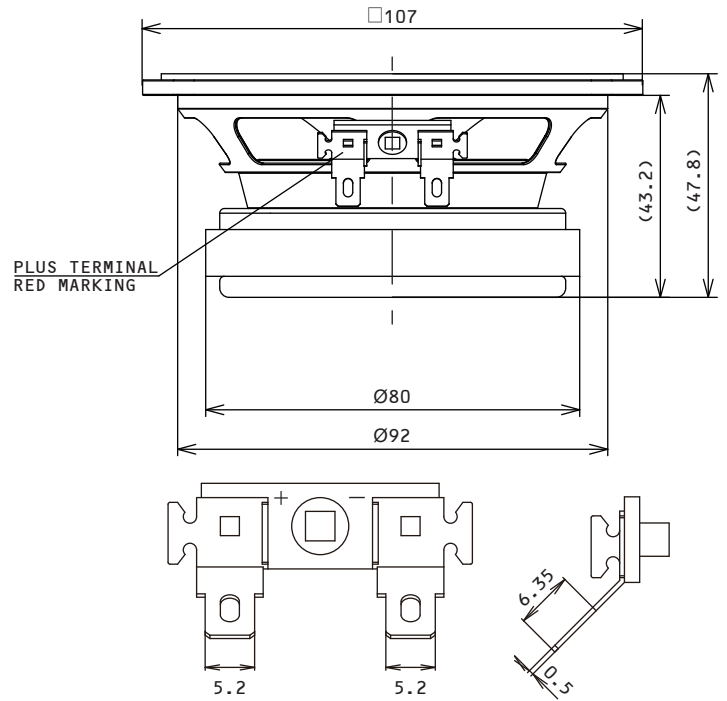
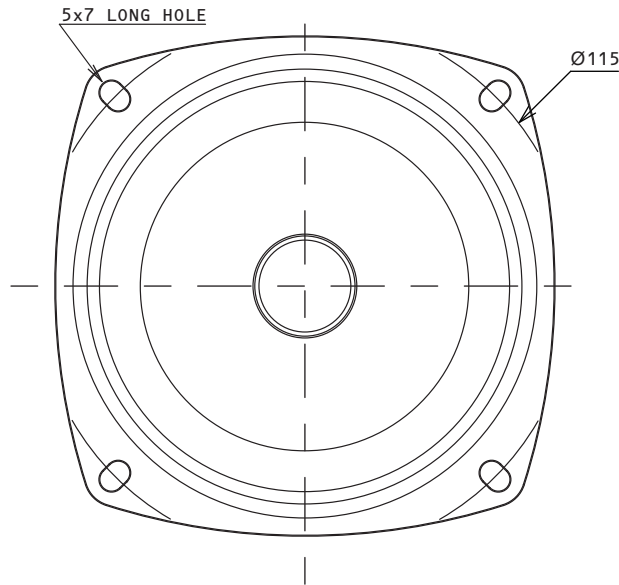


Fostex

10cm Fullrange speaker unit
FE103NV2

Specification Sheet

Dimensions / Polarity



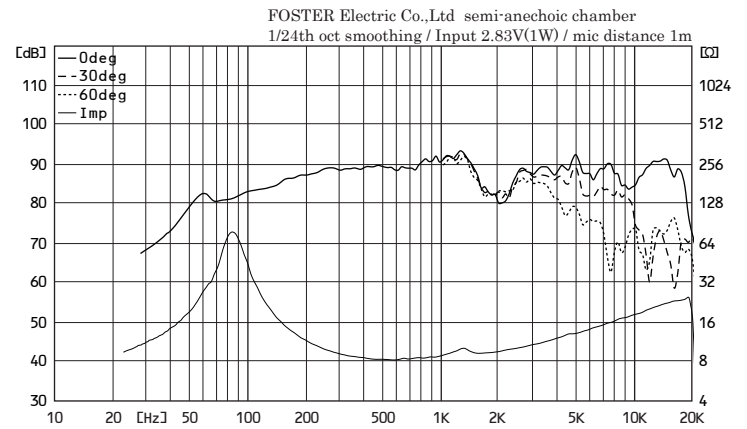
Standard Accessories

| | |
|--------------------|--------------------------|
| Speaker unit : 1pc | Safety precautions : 1pc |
| Screw : 4pcs | |
| Washer : 4pcs | |
| Spacer : 1pc | |

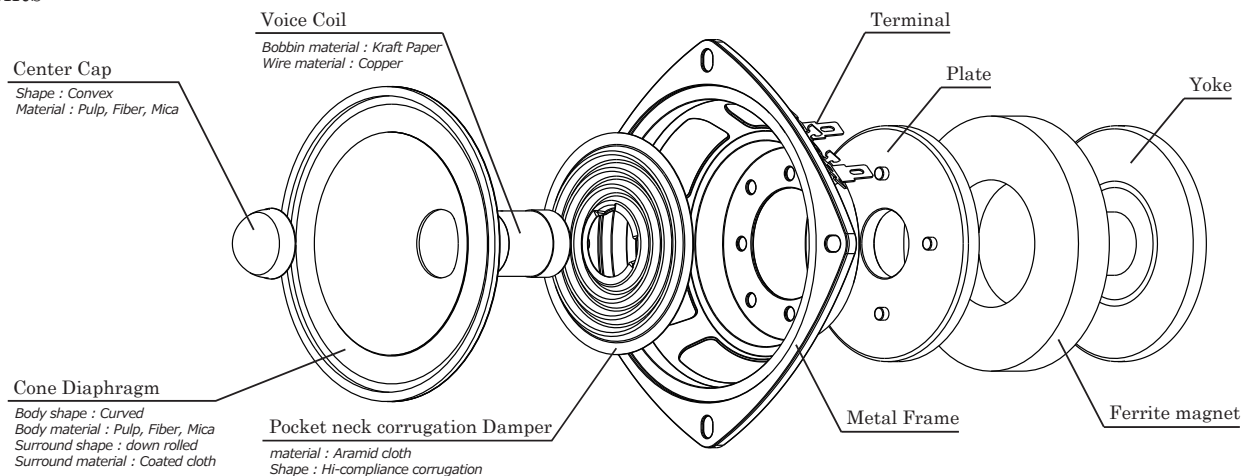
Specifications & Thiele / Small Parameters

| | | | |
|-----------------------|---------------------------------|-----------|------|
| Electrical Parameters | Nominal Impedance | 8.0 | ohm |
| | Re | 7.7 | ohm |
| | Le | 0.2 | mH |
| | fs (F0) | 91.8 | Hz |
| Mechanical Parameters | Mms (M0) | 2.5 | g |
| | Cms | 1.2 | mm/N |
| | Bl | 4.7 | N/A |
| Loss Factors | Qms | 5.20 | - |
| | Qes | 0.50 | - |
| | Qts (Q0) | 0.46 | - |
| Other Parameters | SPL (1m/1W) | 88.5 | dB |
| | Equivalent Diaphragm Radius (a) | 40.0 | mm |
| | Rated Input | 5 | W |
| | Max Input | 15 | W |
| | Overall Diameter | □107 | mm |
| | Voice Coil Diameter | 20 | mm |
| | Reproduction Frequency Response | fs to 22k | Hz |
| | Vas | 4.3 | L |
| | Baffle Hole Diameter | Φ93 | mm |

Frequency Response



Components



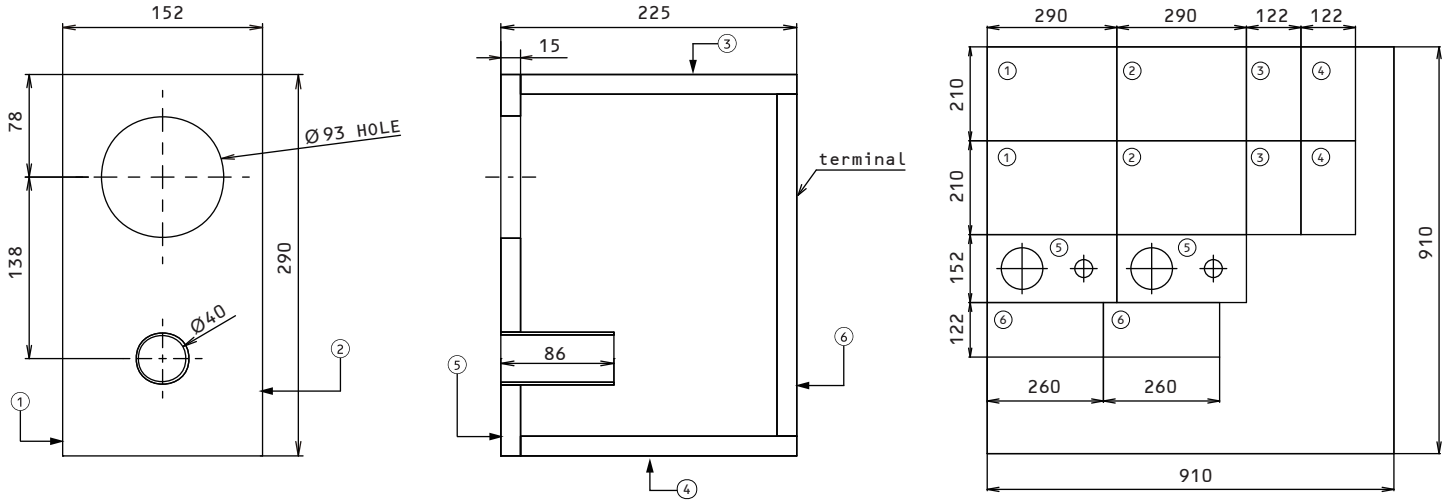


10cm Fullrange speaker unit
FE103NV2

Application Sheet

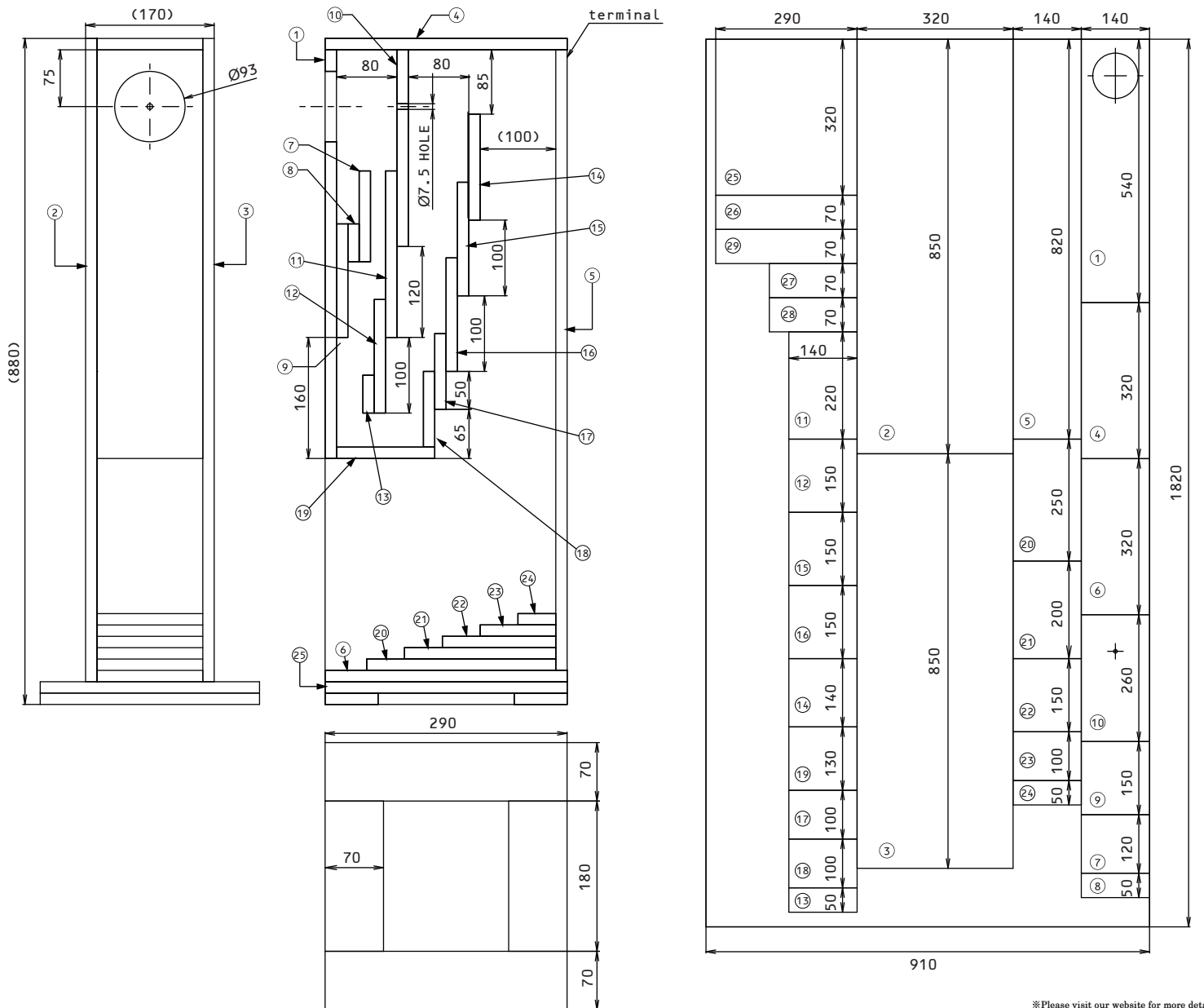
Bass Reflex type Enclosure

thickness : 15mm



Backloaded horn type Enclosure

thickness : 15mm



※Please visit our website for more details.

In accordance with our policy of continuous development, we reserve the right to change specifications without notice