

# FW208HS

## Features

The new FW208HS is the woofer unit having high stiffness diaphragm evolved through the fusion of the unique sophisticated pulp materials and Fostex original paper making technology.

Certain transduction of amplitude into air vibration, new FW208HS woofer reproduces superb low frequency sound with remarkable transient.

- \* High stiffness diaphragm.
- \* High input tolerance long voice coil.
- \* Ø156mm large ferrite magnet.
- \* Low current distortion magnetic circuit.
- \* Adequate acoustic parameters.
- \* Aluminum die-cast frame.

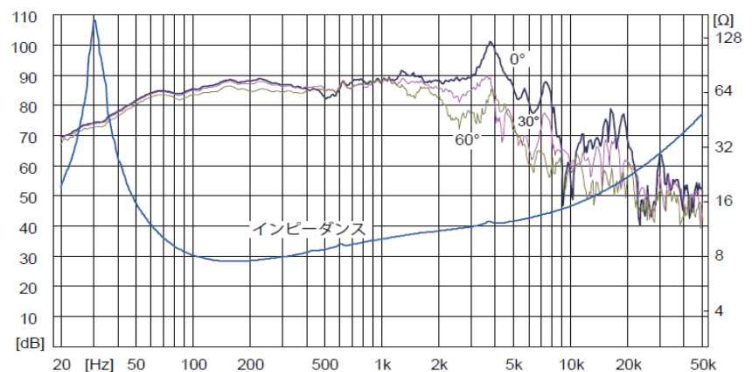


## Specifications & Thiele/Small Parameters

Size	: 200mm / 8"	
Voice Coil Diameter	: 65mm / 2.56"	
Frame Material	: Aluminum diecast	
Impedance	: 8Ω	
Reproduction Frequency Response	: fs to 7kHz	
Sound Pressure Level	: 87 dB/W(m)	
Rated Input	: 50W	
Music Power	: 100W	
Magnet Material	: Ferrite	
Magnet Weight	1,410g / 5.560lb	(main)
	n/a	(cancel)
Net Weight	: 4,620g / 18.218lb	

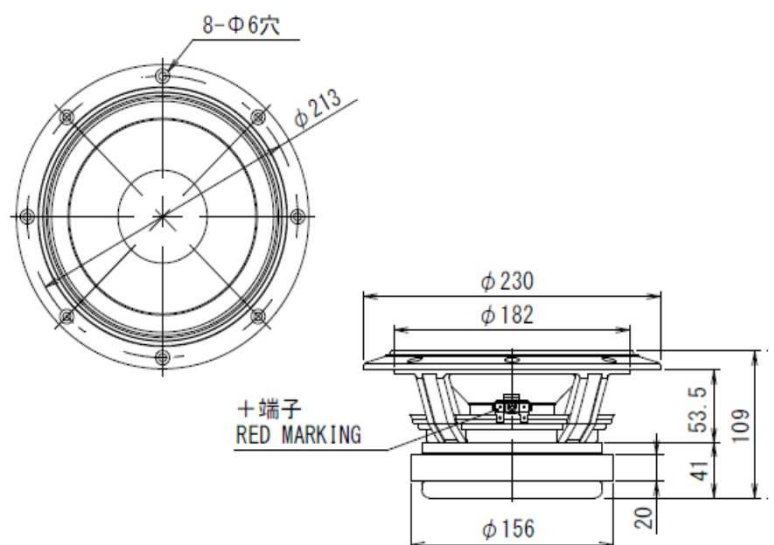
a	: 81 mm
D	: 162 mm
Sd	: 0.0206 m <sup>2</sup>
Zn	: 8 Ω
Fs	: 32 Hz
Re	: 6.5 Ω
Le	: 0.427 mH
Qms	: 12.927
Qes	: 0.416
Qts	: 0.4
Mms	: 37 g
BL	: 10.565 Tesla/m
Vas	: 42.69 L
Xmax	: 8.8 mm
Eff/n0	: 0.193 %
Cms	: 1.005 m/N
EBP	: 76.923

## Frequency Response



## Dimensions

### / Mounting Information



Overall Diameter	: 230mm / 9.1"
Baffle Hole Diameter	: 185mm / 7.3"
Depth	: 109mm / 4.3"