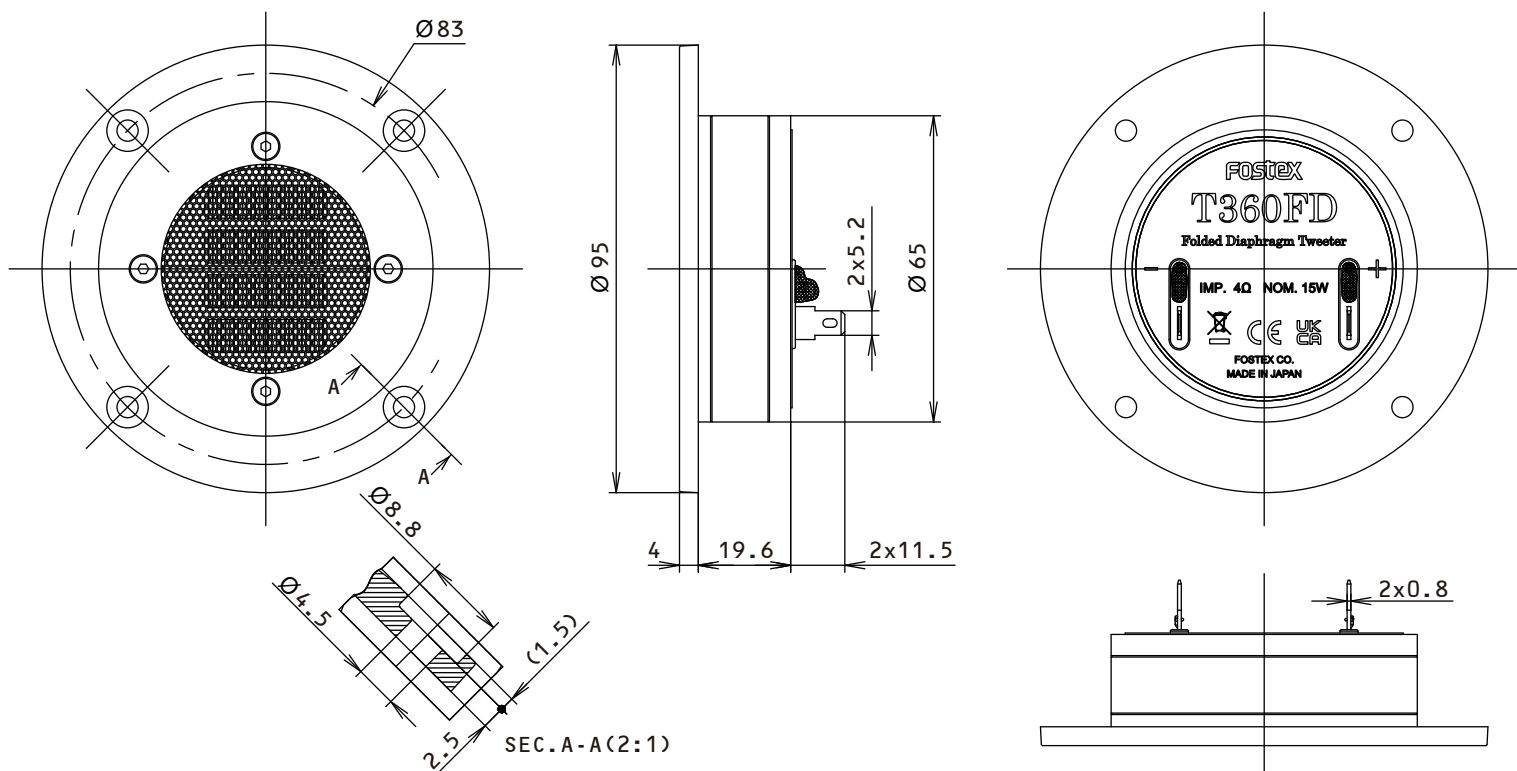




Folded Diaphragm Tweeter T360FD

Specification Sheet

Dimensions / Polarity



Standard Accessories

| | |
|--------------------|--------------------------|
| Speaker Unit : 1pc | Cord : 2pcs |
| Wood Screw : 4pcs | Foam Seal : 1pc |
| Washer : 4pcs | Safety Precautions : 1pc |

Specifications

| | |
|---------------------------------|--------------------|
| Nominal Impedance | 4.0 ohm |
| Reproduction Frequency Response | 2k to 45kHz(-10dB) |
| SPL (1m/1W) | 93.5dB/W(1m) |
| Rated Input | 15W |
| Crossover Frequency | 2.5kHz以上(12dB/Oct) |
| Magnet Weight | 45g(NEODYMIUM) |
| Net Weight | 340g |
| Baffle Hole Diameter | $\varnothing 68$ |

Frequency Response

