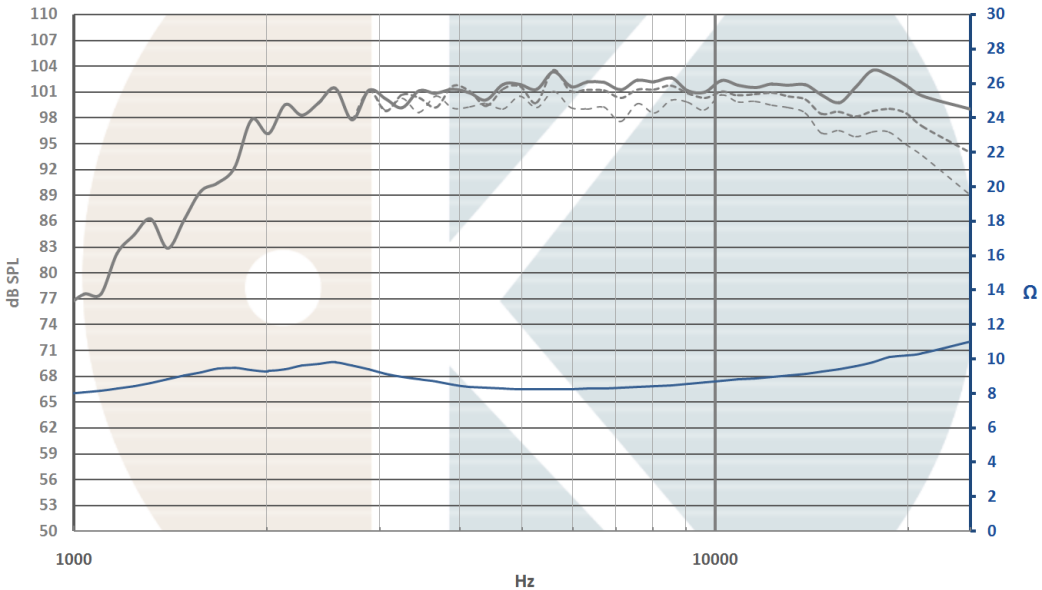


Cmp25_vHP

High quality compression driver with dedicated horn.



Compression driver with low compression rate through the phase plug and direct front radiation. The back cover is designed to cool the voice coil through the motor structure. It reproduces 3000Hz to 25000Hz with extreme linearity, and very low distortion.



On IEC baffle / Distance: 1m / Signal input: 2,83V / High pass filter at 1000Hz (48dB/Oct)
 Dash curves: 20° & 40° / Smoothing: 1/24 Octave/ Impedance measured with dedicated round horn

Cmp25_vHP

Our products can be adapted to your technical requirements and brand spirit.
www.Kartesian-acoustic.com Engineered and produced in France



All rights reserved. Passing on and copying of this document, use and communication of its contents not permitted without written authorization from: Kartesian Company

Advanced construction

Membrane
Mylar diaphragm

Suspension
Integrated on the dome

Voice coil:
Ø25mm, CCA wire
KSV former

Motor structure:
NdFeB magnet structure
Optimized pole pieces
14600 Gauss on 2.2mm height

Frame
Injected aluminum back plate
Exponential round horn (Fc: 2000Hz)
Horn made in PA12 material

T&S

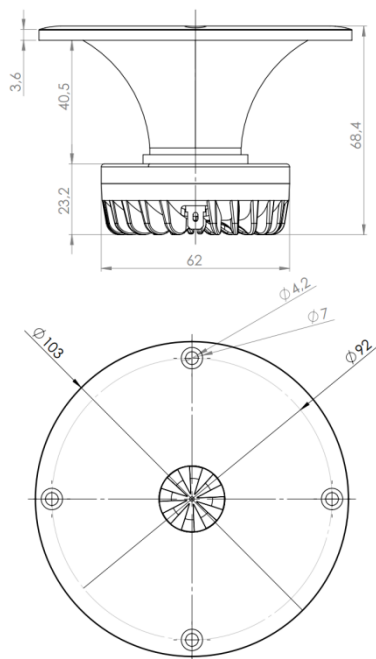
Fs 1850Hz *(without horn)*
SPL 102dB/2.8V/1m
Re 3.6Ω

Qms -
Qts -
Bl 3.18N/A

VAS -
Mms 0.21g
Sd 4.92cm²

Linear excursion: +/-0.3mm
Maximal excursion: +/-0.5mm

Nominal power: 20W
Maximal power handling: 40W
(with high-pass filter, 12dB/Oct at 2000Hz)



Integrated innovation



.monoKore



.Kooling

Visit our website to discover our innovation

Cmp25_vHP

Our products can be adapted to your technical requirements and brand spirit.
www.Kartesian-acoustic.com Engineered and produced in France

