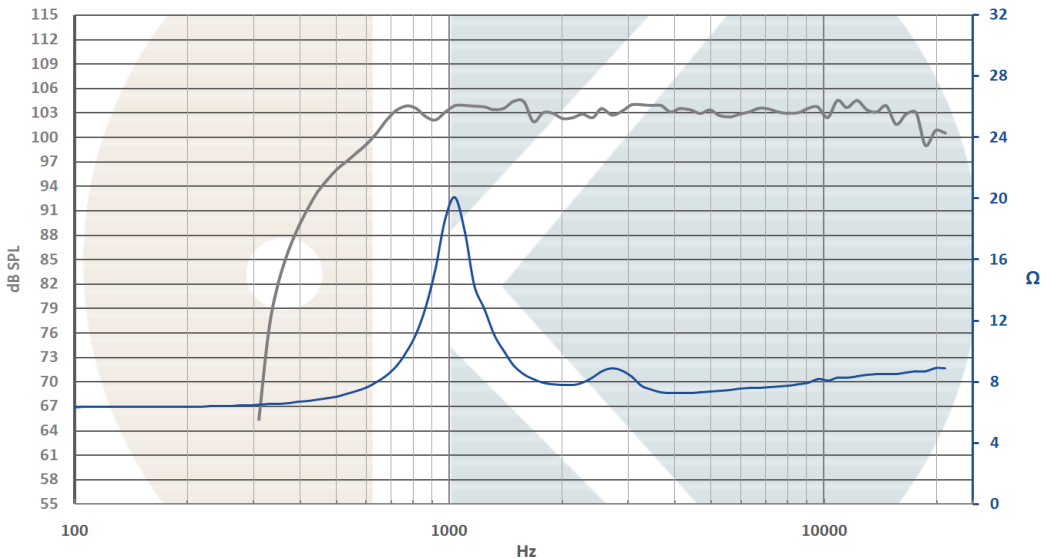


Cmp35_vPA

High performances professional compression driver.



1inch output compression driver using innovative magnesium anodized diaphragm and advanced motor. It gathers the dynamic range of the best compression drivers and the detailed upper band of good tweeter dome. Recommended from 1500Hz to 20000Hz.



On IEC baffle / Distance: 1m / Signal input: 2,83V / High pass filter at 600Hz (48dB/Oct)
 Measured with exponential horn with $F_c = 500\text{Hz}$
 Smoothing: 1/24 Octave / Impedance measured without horn

Cmp35_vPA

Our products can be adapted to your technical requirements and brand spirit.

www.Kartesian-acoustic.com _ Phone: +33 6 8035 4115 _ Rue des Rossignols, 67450 Ostwald, France



Advanced construction

Membrane
Pe-Magnesium diaphragm

Suspension
Integrated on the diaphragm

Voice coil:
Ø35mm, ribbon CCA wire
Polyimide former

Motor structure:
High grade Fe magnet
Optimized pole pieces
Demodulated by cooper & aluminum rings
13000 Gauss on 3mm height

Frame
Injected aluminum back chamber

T&S

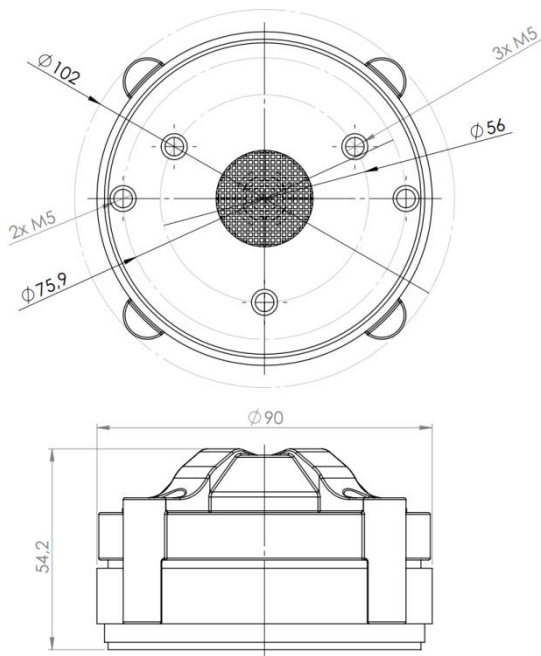
Fs 1010Hz *(without horn)*
SPL 103dB/2.8V/1m
Re 6.6Ω

Qms -
Qts -
Bl 5.22N/A

VAS -
Mms 0.35g
Sd 9.16cm²

Linear excursion: +/-0.35mm
Maximal excursion: +/-0.5mm

Nominal power: 35W
Maximal power handling: 60W
(with high-pass filter, 12dB/Oct at 1500Hz)



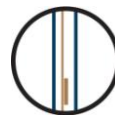
Integrated innovation



.Kooling



.monoKore



.Konstant Bl(X)



.Konstant Le(X)

Visit our website to discover our innovation

Cmp35_vPA

Our products can be adapted to your technical requirements and brand spirit.

www.Kartesian-acoustic.com _ Phone: +33 6 8035 4115 _ Rue des Rossignols, 67450 Ostwald, France

