

By

.Kartesian
SPEAKER INNOVATOR

For

tlhp
TOUTE HAUT PARLEUR.COM

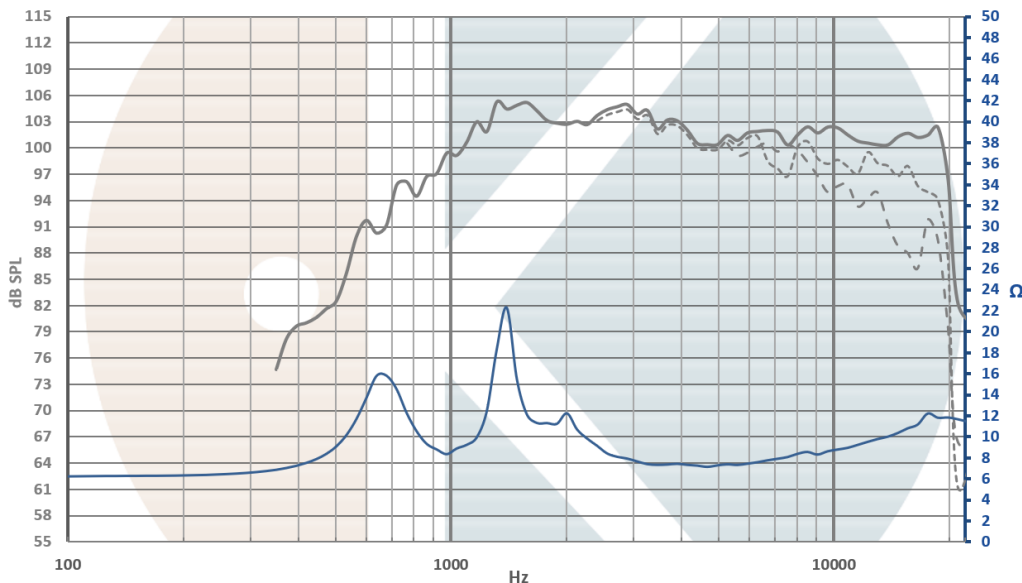
Cmp45_vTLHP

High quality compression driver, engineered to work in coaxial system with PHL midrange.



Cmp45_vTLHP has been engineered to work in coaxial configuration, in association with PHL midrange. In this way, the phase plug is specific with 2 openings and the output angle to match the midrange throat and cone profile.

Usual Kartesian design has been integrated, such as advanced pole piece, Al ring, or Pe-Ma diaphragm.



On IEC baffle, assembled on PHL midrange / Distance: 1m / Signal input: 2,83V
(Protection High pass filter at 6000Hz, 12dB/Oct)

Dash curves: 20° & 40° / Smoothing: 1/6 Octave / Impedance measured with PHL midrange

Cmp45_vTLHP

Our products can be adapted to your technical requirements and brand spirit.

www.Kartesian-acoustic.com Engineered and produced in France

Datasheet edition 1



Advanced construction

Membrane
Pe-Magnesium diaphragm

Suspension
Integrated on the diaphragm

Voice coil:
Ø45mm, ribbon CCA wire
Polyimide former

Motor structure:
High grade Fe magnet
Optimized pole pieces
Demodulated by Aluminum ring
19200 Gauss on 3mm height

Frame
Injected Aluminum back chamber

T&S

Fs 1200Hz *(without horn)*
SPL 102dB/2.8V/1m
Re 5.8Ω

Qms -
Qts -
Bl 6.8N/A

VAS -
Mms 0.49g
Sd 15cm²

Linear excursion: +/-0.4mm
Maximal excursion: +/-0.55mm

Nominal power: 60W
Maximal power handling: 100W
(with high-pass filter, 12dB/Oct at 1600Hz)



Integrated innovation



.monoKore

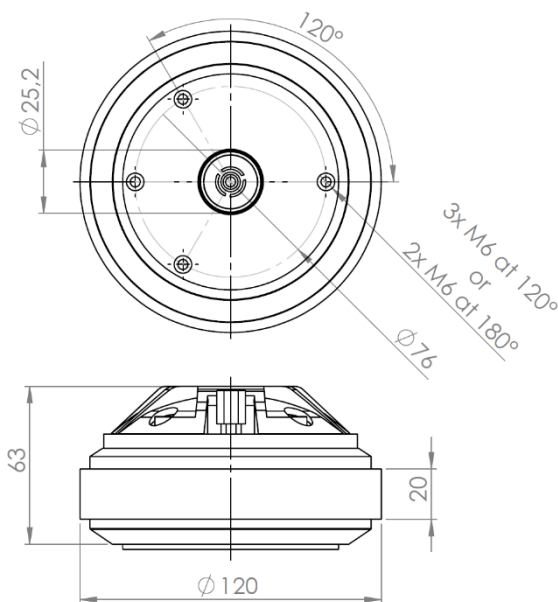


.Kooling



.Konstant Bl(X)

Visit our website to discover our innovation



Cmp45_vTLHP

Our products can be adapted to your technical requirements and brand spirit.
www.Kartesian-acoustic.com Engineered and produced in France

