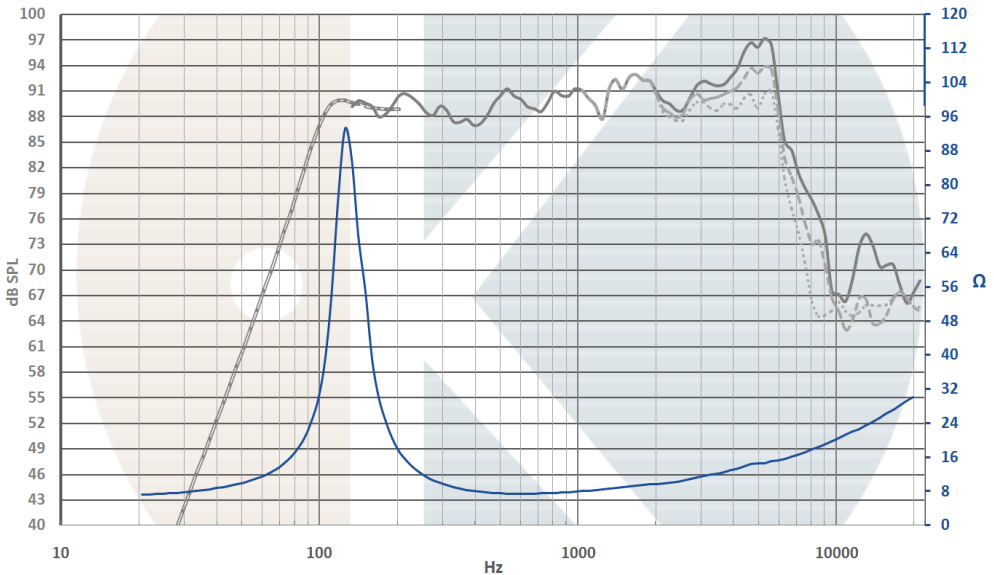


Lom120_vPA

Professional 4" mid-woofer.



Designed to cover 100Hz - 3000Hz, the Lom120_vPA provides very dynamic sounding with low distortion. It is the best choice for demanding professional system working with active subwoofer below 100Hz. The advanced motor structure uses 2 high grade neodymium magnets and demodulation rings. The membrane is made of treated paper and carbon fiber to get advantageous rigidity/mass ratio.



On IEC baffle / Distance: 1m / Signal input: 2,83V / Dash curves: 20° & 40°
 Impedance measured in free air / Smoothing: 1/12 Octave
 Curve below 150Hz is simulated in 3.5L vented enclosure, $F_c = 115\text{Hz}$

Lom120_vPA

Our products can be adapted to your technical requirements and brand spirit.

www.Kartesian-acoustic.com _ Phone: +33 6 8035 4115 _ Rue des Rossignols, 67450 Ostwald, France



Advanced construction

Membrane
Paper / Carbon fiber

Suspension
Damped fabric surround
Innovative dynamik spider

Voice coil:
Ø34mm, Cu wire
Glass fiber former

Motor structure:
Twin NdFeB magnets structure
Demodulated by 2 aluminum rings
13500 Gauss on 6mm height
Optimized and vented pole pieces

Frame
Injected aluminum, fully vented

T&S

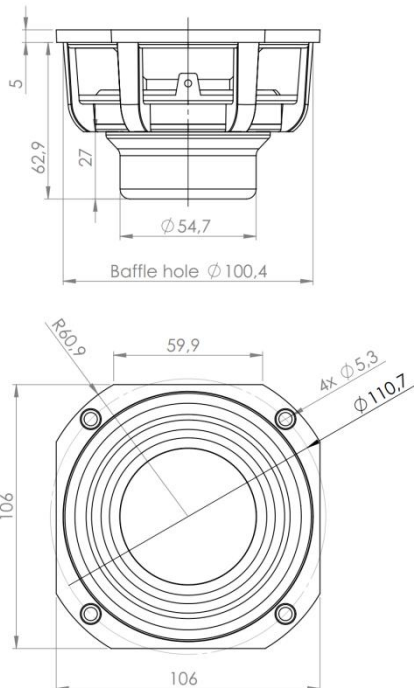
Fs 120Hz
SPL 90dB/2.8V/1m
Re 6.3Ω

Qms 7.12
Qts 0.386
Bl 8.7N/A


VAS 1.17L
Mms 6.52g
Sd 55.4cm²

Linear excursion: +/-3mm
Maximal excursion: +/-5mm

Nominal power: 100W
Maximal power handling: 150W



Integrated innovation

-  .foKus field
-  .dynamik spider
-  .Kooling
-  .Konstant Le(X)

Visit our website to discover our innovation

Lom120_vPA

Our products can be adapted to your technical requirements and brand spirit.

www.kartesian-acoustic.com _ Phone: +33 6 8035 4115 _ Rue des Rossignols, 67450 Ostwald, France

