

Lom135_vPA-S

High quality 5" low-midrange.



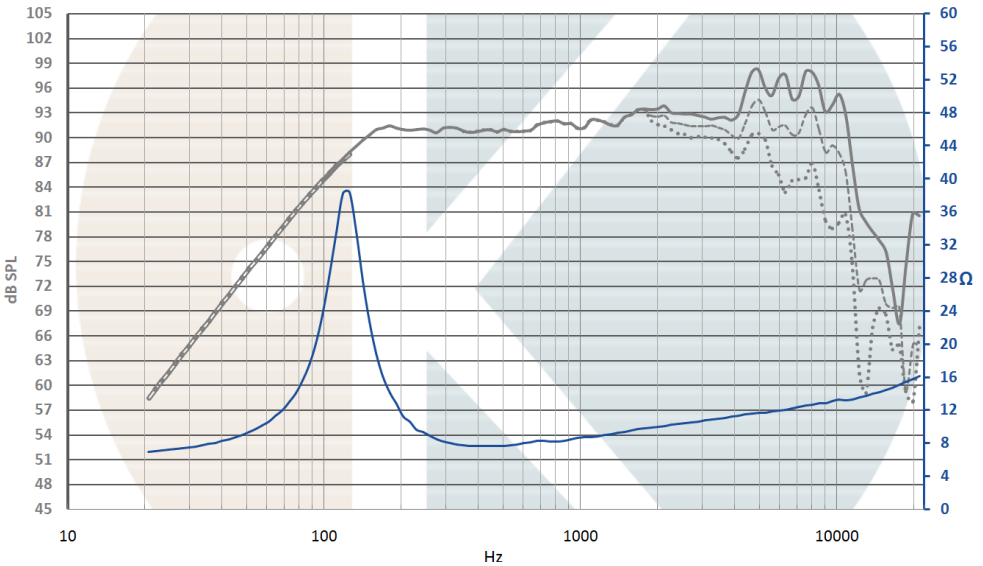
Lom135_vPA-S is a high quality low-midrange for demanding compact professional application.

It provides very dynamic and accurate sounding from 150Hz to 2500Hz.

The motor structure is based on large ferrite magnet ($\varnothing 110\text{mm}$).

It uses advanced pole pieces geometry and cooper ring to keep very low THD on useful bandwidth.

The membrane is made of pressed paper and carbon fiber dust cap to provide more linear frequency response.



Lom135_vPA-S

Our products can be adapted to your technical requirements and brand spirit.

www.Kartesian-acoustic.com Rue Jean Sapidus, 67400 Illkirch, France



Advanced construction

Membrane

Pressed and treated paper
Concave carbon fiber dust cap

Suspension

"M" roll damped fabric surround
Polyester / cotton spider

Voice coil:

Ø38.5mm, CCA Wire
Glass fiber former

Motor structure:

High grade Fe magnet
Demodulated by cooper ring
Optimized and vented pole pieces

Frame

Injected aluminum / High rigidity
Sealing ring on the front

T&S

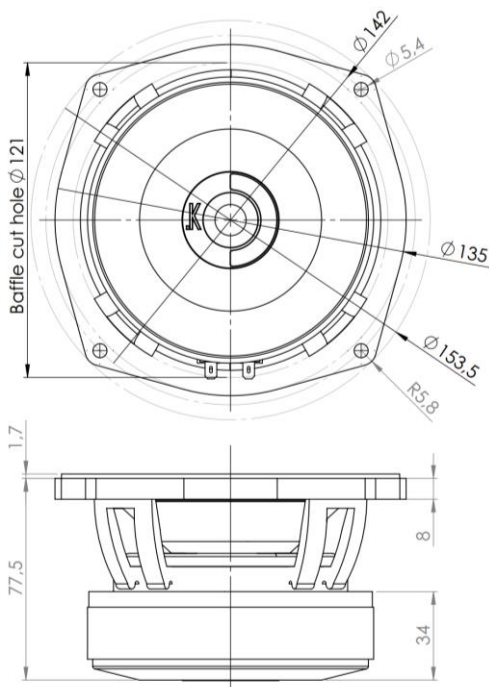
Fs 125Hz
SPL 90.5dB/2.8V/1m
Re 6.3Ω

Qms 3.15
Qts 0.581
Bl 8.46N/A

VAS 2.03L
Mms 10.3g
Sd 95.4cm²

Linear excursion: +/-2 mm
Maximal excursion: +/-3.5mm

Nominal power: 80W
Maximal power handling: 150W



Integrated innovation



.Konstant Le(X)

Visit our website to discover our innovation

Lom135_vPA-S

Our products can be adapted to your technical requirements and brand spirit.
www.Kartesian-acoustic.com Rue Jean Sapidus, 67400 Illkirch, France

