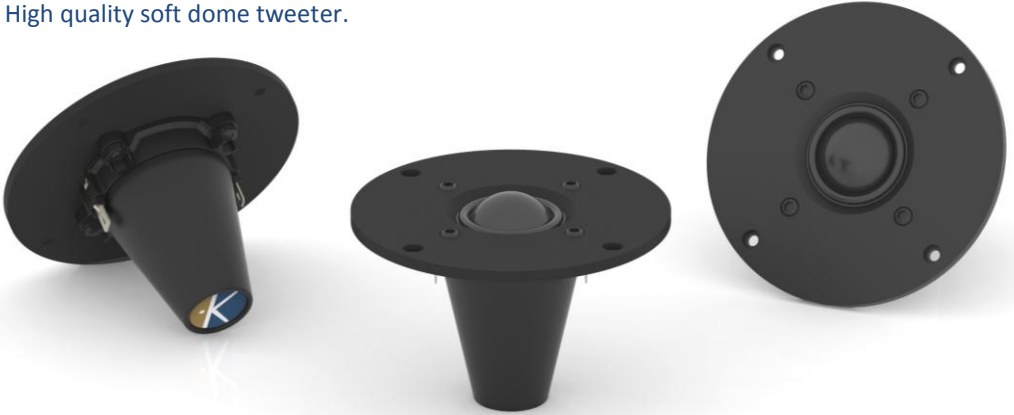
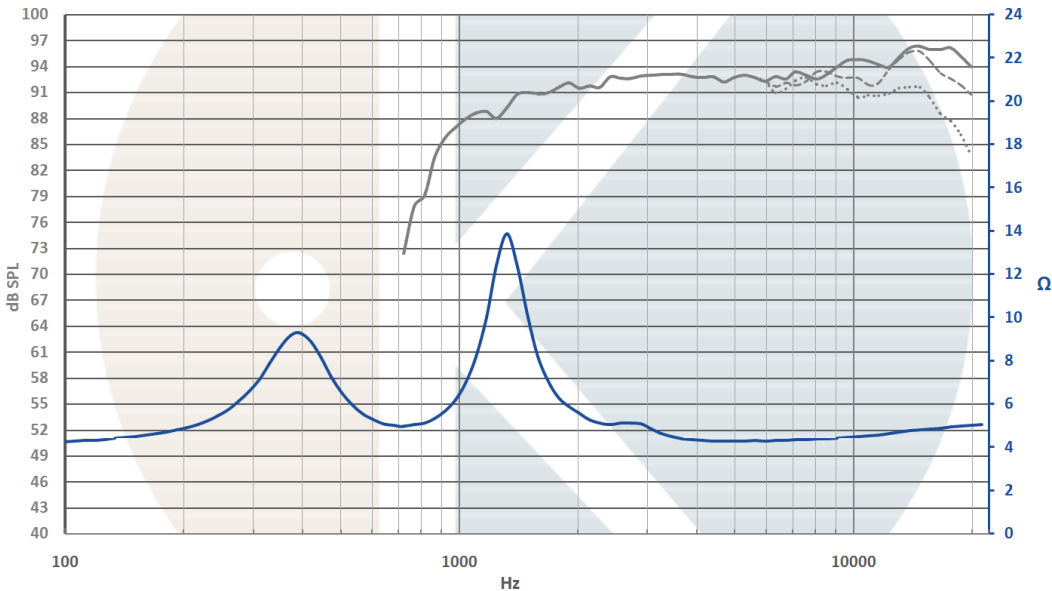


## Twt28\_vMS

High quality soft dome tweeter.



Advanced 28mm soft dome tweeter producing very dynamic and natural sounding. With its very flat response from 1800Hz to 22000Hz (-3dB) and its very THD, the Twt28\_vMS is the ideal solution for accurate studio monitor loudspeaker, or High-End system. We recommend high pass filter around 3kHz, 12dB/Oct. to get the best performances.



On IEC baffle / Distance: 1m / Signal input: 2,83V / High pass filter at 500Hz (48dB/Oct)  
Dash curve : 30° & 60° / Smoothing: 1/6 Octave

## Advanced construction

### Membrane

Proprietary treated soft dome

### Suspension

Integrated on the dome

### Voice coil:

Ø28mm, CCA wire

Aluminum former

### Motor structure:

Dual high grade NdFeB magnets

Advanced and vented pole pieces

19000 Gauss on 2.4mm height

### Frame

Aluminum back chamber

Innovative rear chambers working as

Helmholtz resonator to decrease THD in

lower frequency (see impedance curve)

## T&S

Fs	720Hz (1 <sup>st</sup> impedance peak)
SPL	93dB/2.8V/1m
Re	3.8Ω
Qms	-
Qts	-
Bl	2.97N/A
VAS	-
Mms	0.24g
Sd	6.16cm <sup>2</sup>

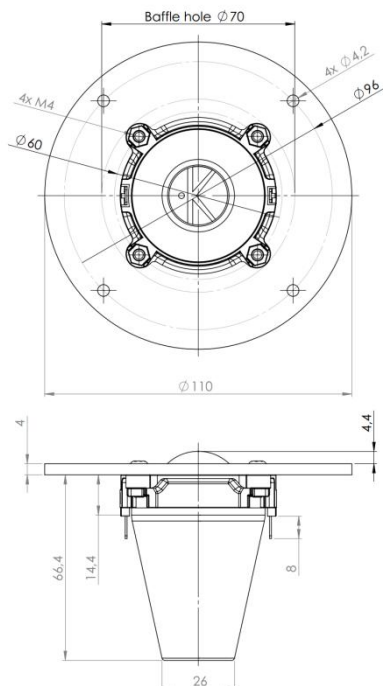
Linear excursion: +/-0.2mm

Maximal excursion: +/-0.4mm

Nominal power: 20W

Maximal power handling: 40W

(with high-pass filter, 12dB/Oct at 2000Hz)



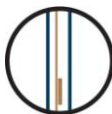
## Integrated innovation



.foKus field



.Koupled chambers



.Konstant Bl(X)



.Konstant Le(X)

Visit our website to discover our innovation