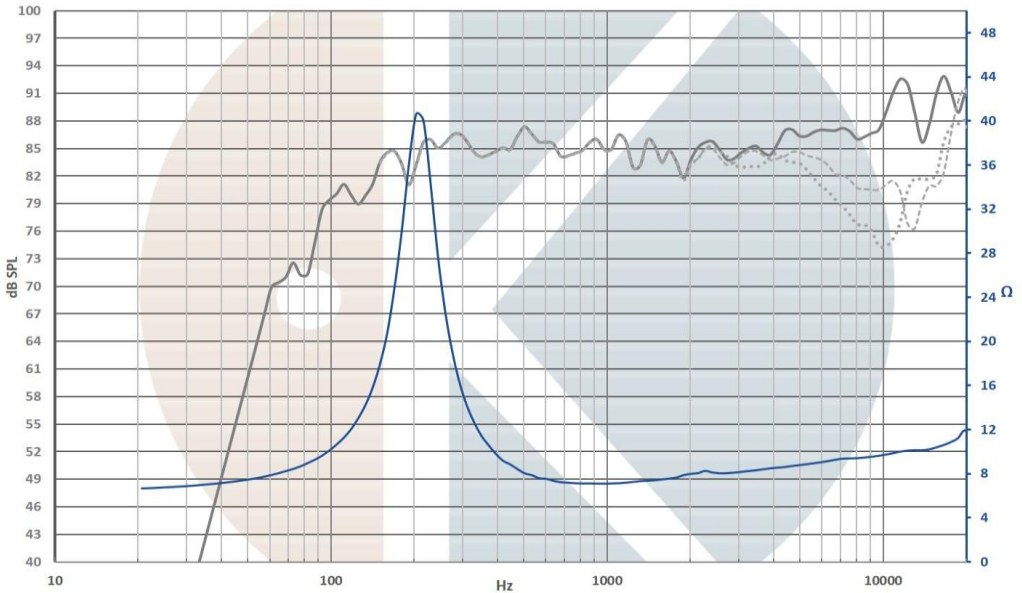


Wib70_vPA

Wide-band speaker, for high quality professional application.



Unique solution for very compact line array, or any demanding public address application where space is limited. Able to reproduce the audio band from 150Hz to 25000Hz (-3dB).



On IEC baffle / Distance: 1m / Signal input: 2,83V / High pass filter at 60Hz (48dB/Oct)
 Dash curves: 30° & 60° / Smoothing: 1/24 Octave / Impedance measured in free air

Wib70_vPA

Our products can be adapted to your technical requirements and brand spirit.

www.kartesian-acoustic.com _ Phone: +33 6 8035 4115 _ Rue des Rossignols, 67450 Ostwald, France



Advanced construction

Membrane
 Treated paper cone
 Aluminum dust cap

Suspension
 Proprietary dynamiK spider
 "M" damped fabric surround

Voice coil:
 Ø25mm, Aluminum wire
 Vented Kapton former

Motor structure:
 Demodulated by cooper ring
 Dual NdFeB magnets structure
 11200 Gauss on 5.2mm height

Frame
 Exclusive frame with vented spider
 PA12 material

T&S

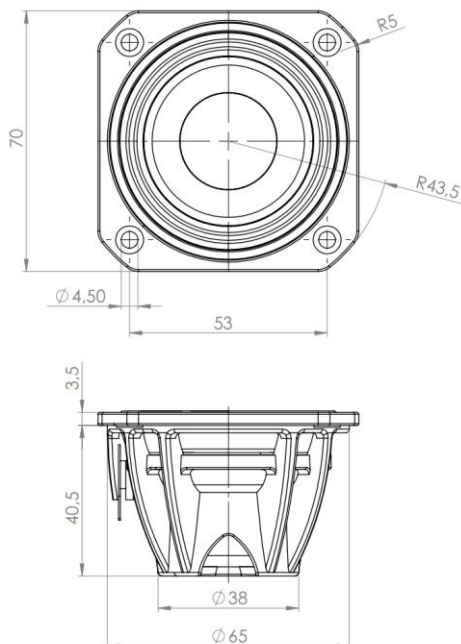
Fs 215Hz
 SPL 86dB/2.8V/1m
 Re 6.4Ω

Qms 6.41%
 Qts 0.689%
 Bl 4.15N/A

VAS 0.228L
 Mms 1.535g
 Sd 21.2cm²

Linear excursion: +/-2mm
 Maximal excursion: +/-2.6mm

Nominal power: 25W
 Maximal power handling: 50W



Integrated innovation



.Konstant Le(X)



.foKus field



.dynamiK spider

Visit our website to discover our innovation

Wib70_vPA

Our products can be adapted to your technical requirements and brand spirit.

www.Kartesian-acoustic.com _ Phone: +33 6 8035 4115 _ Rue des Rossignols, 67450 Ostwald, France

