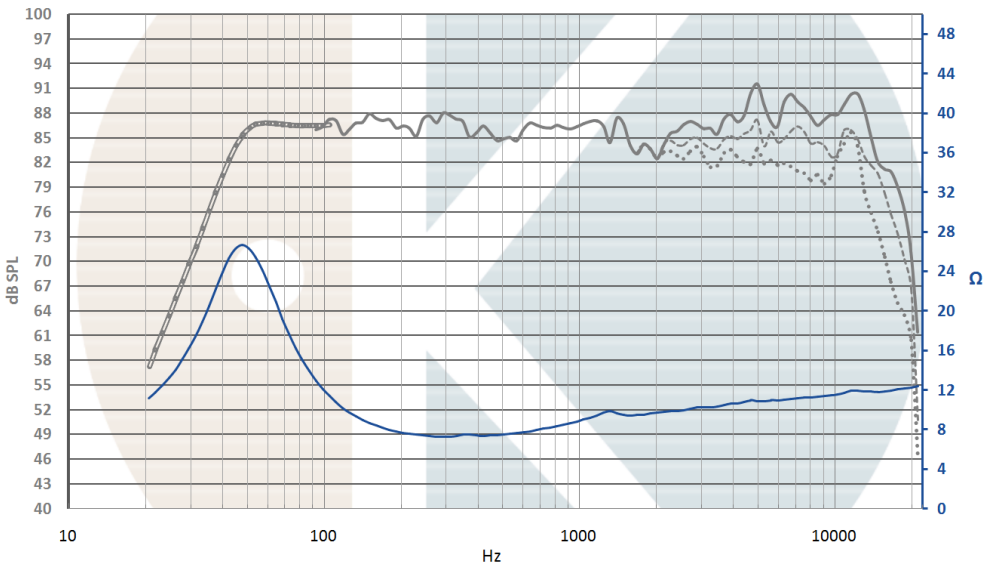


Wom145_vMS

High quality 5" woofer.



Wom145_vMS provides accurate bass response in compact vented enclosure and extended frequency response. The suspension uses the dynamik technology to keep excursion control in any situation. The motor structure, engineered with FEA, uses cooper ring for very low THD. The cone is made with our proprietary CGF material, 10 times more rigid than usual carbon fiber.



On IEC baffle / Distance: 1m / Signal input: 2,83V / Dash curves: 30° & 60°
 Impedance measured in free air / Smoothing: 1/12 Octave
 Curve below 100Hz is simulated in 10L vented enclosure, Fc = 50Hz

Wom145_vMS

Our products can be adapted to your technical requirements and brand spirit.

www.Kartesian-acoustic.com _ Phone: +33 6 8035 4115 _ Rue des Rossignols, 67450 Ostwald, France



Advanced construction

Membrane
Proprietary CGF

Suspension
Low lost - NBR surround
Innovative dynamiK spider

Voice coil:
Ø26mm, Cu wire
Aluminum former

Motor structure:
High grade Fe magnet structure
Demodulated by cooper ring
11500 Gauss on 5mm height
Optimized and vented pole pieces

Frame
Injected aluminum, fully vented

T&S

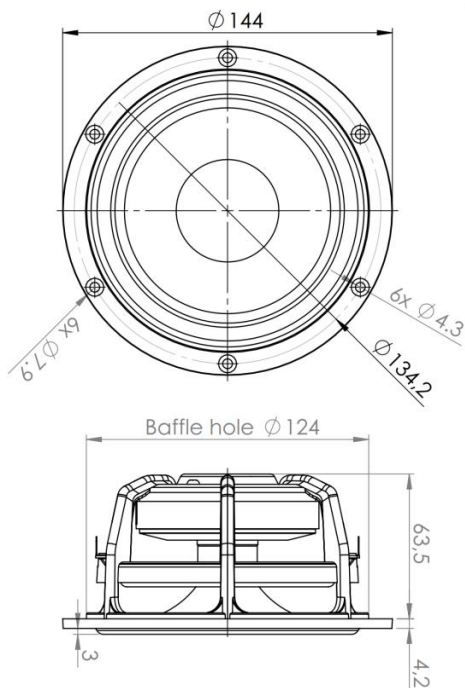
Fs 48Hz
SPL 87dB/2.8V/1m
Re 6.2Ω

Qms 2.38
Qts 0.356
Bl 6.6N/A

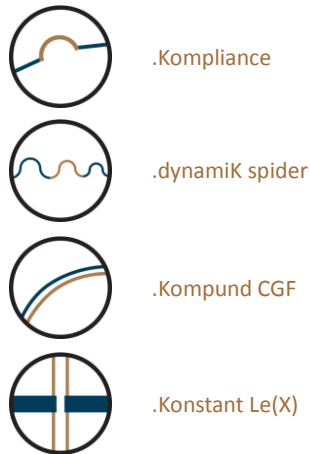
VAS 9.86L
Mms 9.78g
Sd 78.5cm²

Linear excursion: +/-4.5mm
Maximal excursion: +/-6.5mm

Nominal power: 60W
Maximal power handling: 100W



Integrated innovation



Visit our website to discover our innovation

Wom145_vMS

Our products can be adapted to your technical requirements and brand spirit.

www.Kartesian-acoustic.com _ Phone: +33 6 8035 4115 _ Rue des Rossignols, 67450 Ostwald, France

