

Wom200_vPA-S

High quality 8" woofer.



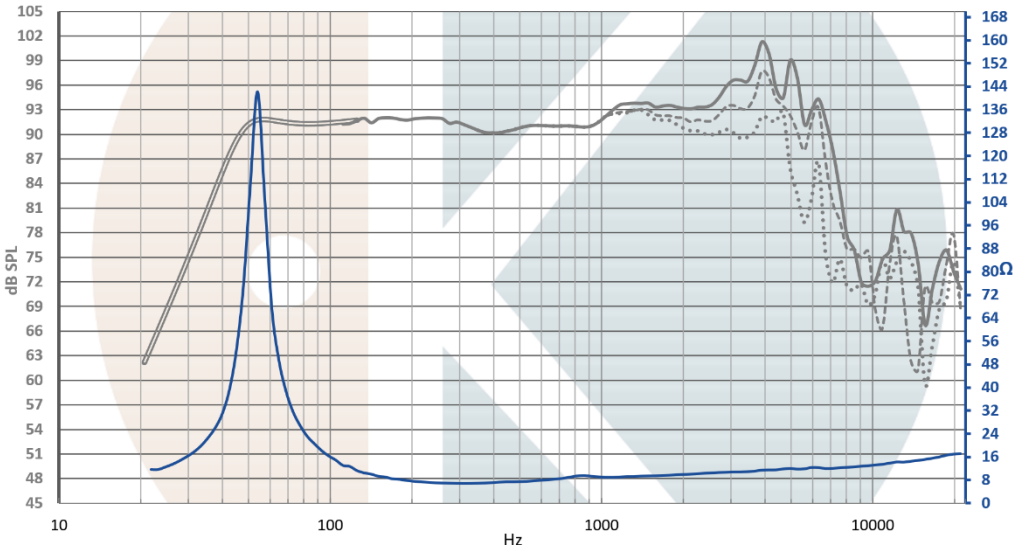
Wom200_vPA-S is dedicated to professional high quality studio monitor, or demanding HiFi systems. It allies good sensitivity and bass extension with very low THD.

To be used in 2 ways systems from ~45Hz to 1500Hz, or ideally in 3 ways systems from ~45Hz to 450Hz.

The motor structure has been engineered with FEA to keep linear $Bl(x)$ and $Le(x)$ over +/-6mm.

The suspension is made of low mechanical loss NBR.

The cone is built with paper and large concave dust cap to get low mass and high rigidity.



On IEC baffle / Distance: 1m / Signal input: 2,83V / Smoothing: 1/12 Octave

Solid line : On axis / Dash lines : 30° and 60°

Impedance measured in free air

Curve below 125Hz simulated in vented enclosure, 25L, Fc:48Hz

Wom200_vPA-S

Our products can be adapted to your technical requirements and brand spirit.

www.Kartesian-acoustic.com Rue Jean Sapidus, 67400 Illkirch, France



Advanced construction

Membrane

Treated paper cone
Concave pressed paper dust cap

Suspension

Low lost - NBR surround
Poly-cotton spider

Voice coil:

Ø50mm, Cooper Clad Aluminum Wire
Glass fiber former

Motor structure:

High grade Fe magnet structure
Demodulated by cooper ring
11600 Gauss on 8mm height
Optimized and vented pole pieces

Frame

Injected aluminum
Sealing ring on the front

T&S

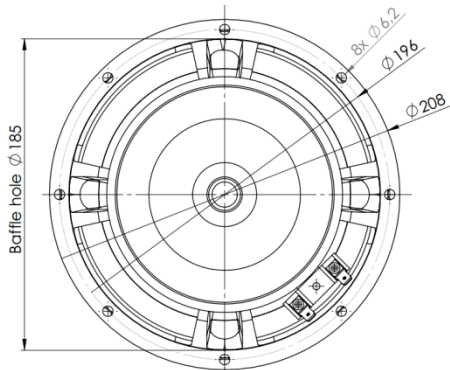
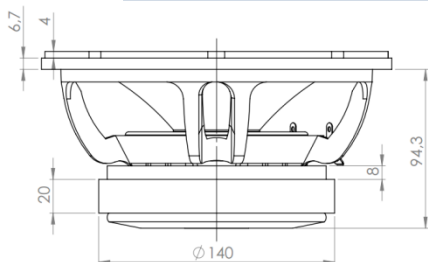
Fs 53Hz
SPL 92dB/2.8V/1m
Re 5.5Ω

Qms 7.8
Qts 0.352
Bl 11.8N/A

VAS 20.9L
Mms 28g
Sd 214cm²

Linear excursion: +/-6mm
Maximal excursion: +/-10mm

Nominal power: 150W
Maximal power handling: 250W



Integrated innovation



.Kompliance



.Konstant Le(X)

Visit our website to discover our innovation

Wom200_vPA-S

Our products can be adapted to your technical requirements and brand spirit.

www.Kartesian-acoustic.com Rue Jean Sapidus, 67400 Illkirch, France

