

# CSF061.21

Lavoce

## 6.5" COAXIAL

FERRITE WOOFER  
NEODYMIUM TWEETER MAGNET  
STEEL BASKET DRIVER



- 1.2 INCH WOOFER COPPER VOICE COIL
- 0.55 INCH TWEETER COPPER VOICE COIL
- 92,5 dB/SPL SENSITIVITY
- 100 WATT PROGRAM POWER HANDLING
- FEM OPTIMIZED MOTOR AND SUSPENSIONS
- EXTENDED FREQUENCY RESPONSE AND CONSTANT DIRECTIVITY
- RESONANCE FREE AND HEAVY DUTY STEEL BASKET DESIGN

### GENERAL SPECIFICATIONS

Nominal diameter	mm (in.)	165 - 20 (6.5 - 0.7)
Nominal impedance	Ω	8
Minimum impedance	Ω	6,2
Program power (1)	W	100
AES Power rating (2)	W	50
Sensitivity (3)	dB	92,5
Frequency range	Hz	80 ÷ 22000
Voice coil diameter	mm (in.)	30 - 14 (1.2 - 0.55)
Chassis material	Steel	
Magnet material	Ferrite - Neodymium	
Magnet dimensions OD x ID x h	mm (in.)	85 x 40 x 13 (3.5 x 1.6 x 0.5)
Coil material	Copper	
Former material	Glass fiber	
Cone material	Water Proof Treated Paper - PEI	
Surround material	Polycotton	
Xmax (4)	mm (in.)	3 (0,12)
Xmech (5)	mm (in.)	4 (0.16)
Gap height	mm (in.)	4 (0.16)
Voice coil winding height	mm (in.)	8 (0.32)
Driver displacement volume	l (ft³)	0,3 (0.01)

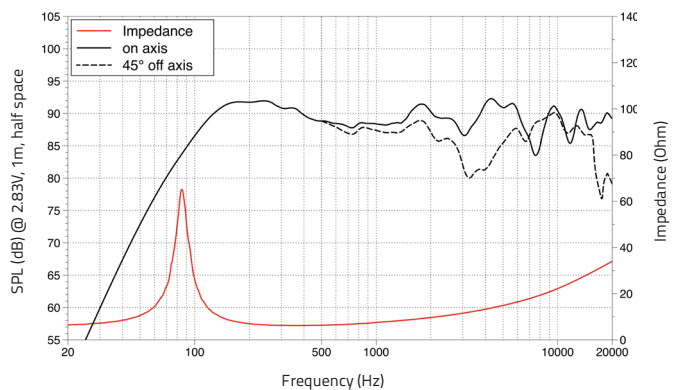
### SMALL SIGNAL PARAMETERS

DC resistance	Re	Ohm	5,8
Resonance frequency	Fs	Hz	84
Moving mass	Mms	g (oz)	9,4 (0.33)
Compliance	Cms	mm/N	0,38
Force factor	BxL	N/A	6,5
Mechanical Q-factor	Qms		7,9
Electrical Q-factor	Qes		0,68
Total Q-factor	Qts		0,63
Equivalent air volume	Vas	l (ft³)	9,5 (0.31)
Voice coil Inductance	Le	mH	0,38
Diaphragm area	Sd	cm² (in.²)	132 (20.5)
Reference efficiency	Eta 0	%	0,8

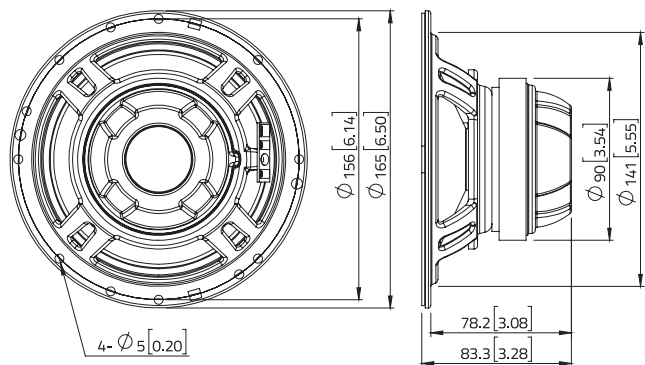
### SHIPPING INFORMATION

Net weight	kg (lb.)	0,9 (2.0)
Multipack size (8)	mm (in.)	380 x 353 x 216 (14.9 x 13.9 x 8.5)
Multipack weight	kg (lb.)	9,7 (21.4)

### FREQUENCY RESPONSE



### DIMENSIONS mm (in.)



(1) Program power is defined as 3 dB greater than AES Power. (2) Tested for two hours using a continuous, band-limited pink noise signal as per AES 2-1984 Rev. 2003. Loudspeaker tested in free air. (3) From T/S parameters, measured with Klippel DA LPM module. (4) The Xmax is calculated as:  $(Hvc - Hg)/2 + Hg/4$ . Hvc is the voice coil height and Hg the gap height. (5) The Xmech is calculated as:  $(Hvc - Hg)/2 + (Hg - 2)$ . Hvc is the voice coil height and Hg the gap height. (6) Thiele-Small parameters are measured after preconditioning: a) at 20°C - 22°C, 50% humidity for 2 hours; b) by Klippel LSI measurement.

All specifications subject to change without notice\_B.a

