

DF10.101LS

Lavoce

1" COMPRESSION DRIVER

FERRITE MAGNET

PRELIMINARY

- 1 INCH CCAW VOICE COIL
- 107 dB/SPL SENSITIVITY
- 40 W PROGRAM POWER HANDLING
- FEM OPTIMIZED MOTOR, PHASEPLUG AND DIAPHRAGM
- 1500 - 18000 Hz FREQUENCY RANGE
- HIGH TEMPERATURE POLYMERIC DIAPHRAGM
- SCREW-ON FITTING FOR 1 3/8 INCH THREADED HORNS



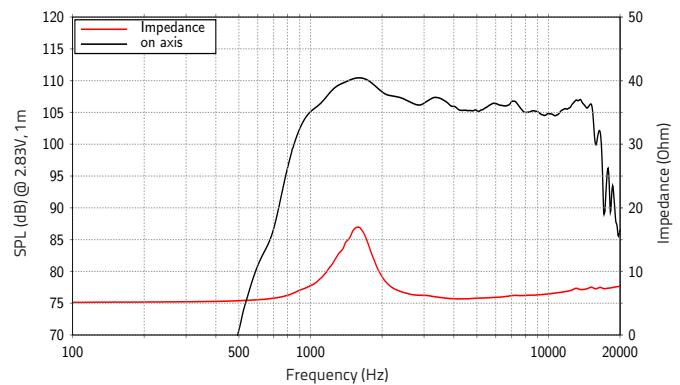
GENERAL SPECIFICATIONS

Throat diameter	mm (in.)	25,4 (1)
Nominal impedance	Ω	8
Minimum impedance	Ω	6
Program power (1)	W	40
AES Power rating (2)	W	20
Sensitivity (3)	dB	107
Frequency range	Hz	1500 - 18000
Voice coil diameter	mm (in.)	25 (1)
Magnet material	Ferrite	
Magnet OD	mm (in.)	85 (3.3)
Coil material	CCA W	
Former material	Kapton	
Diaphragm material	High temperature polymer	
Surround material	High temperature polymer	
Voice coil Inductance	mH	0,03
Flux density	T	1,5
Recommended crossover (4)	Hz	2500
Driver displacement volume	l (ft ³)	0,2 (0.007)

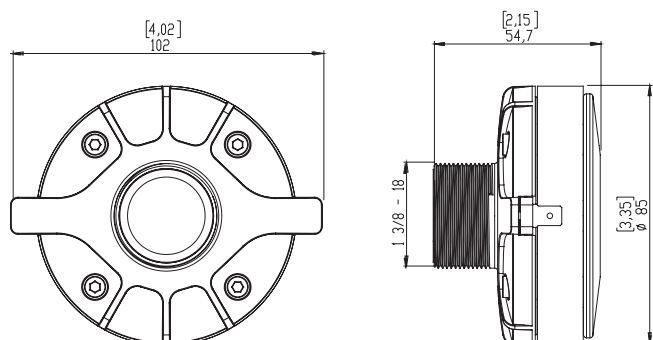
SHIPPING INFORMATION

Net weight	kg (lb.)	0,75 (1.7)
Multipack size (12)	mm	452 x 410 x 156
W x D x H	(in.)	(17.8 x 16.1 x 6.1)
Multipack weight	kg (lb.)	11,1 (24.5)

FREQUENCY RESPONSE



DIMENSIONS mm (in.)



(1) Program power is defined as 3 dB greater than AES Power. (2) Tested for two hours using a continuous, band-limited (2500-20000 Hz, 12dB/oct.) pink noise signal as per AES 2-1984 Rev. 2003. (3) Driver mounted on 90° x 40° horn (4) Measured on axis at 2.83V, 1m, SPL averaged in the frequency range 1500 +18000 Hz (5) High pass filter with slope 12dB/oct. or higher.

All specifications subject to change without notice_D.a

WWW.LAVOCESPEAKERS.COM



Lavoce Italiana

sales@lavocespeakers.com sales.cn@lavocespeakers.com