

DF10.144LK

Lavoce

1" COMPRESSION DRIVER

FERRITE MAGNET

PRELIMINARY

- 1.4 INCH CCAW VOICE COIL
- 106 dB/SPL SENSITIVITY
- 70 W PROGRAM POWER HANDLING
- FEM OPTIMIZED MOTOR, PHASEPLUG AND DIAPHRAGM
- 1000 - 20000 Hz FREQUENCY RANGE
- POLYIMIDE DIAPHRAGM AND SURROUND
- NEXT GENERATION HF DESIGN
- EXTENDED LOW FREQUENCY TO 1200 Hz



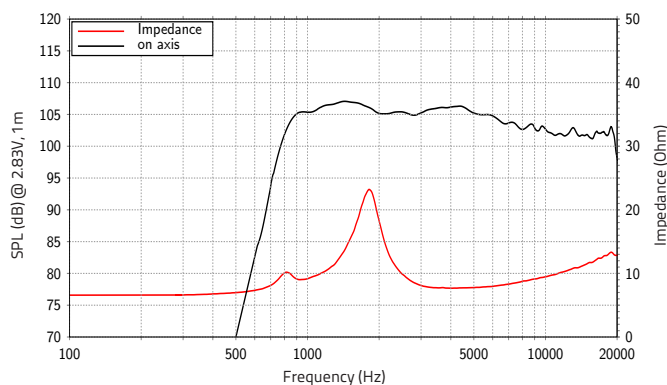
GENERAL SPECIFICATIONS

Throat diameter	mm (in.)	25,4 (1)
Nominal impedance	Ω	8
Minimum impedance	Ω	7,4
Program power (1)	W	70
AES Power rating (2)	W	35
Sensitivity (3)	dB	106
Frequency range	Hz	1000 ÷ 20000
Voice coil diameter	mm (in.)	35 (1.4)
Magnet material		Ferrite
Magnet OD	mm (in.)	90 (3.5)
Coil material		CCA W
Former material		Kapton
Diaphragm material		Polyimide
Surround material		Polyimide
Voice coil Inductance	mH	0,09
Flux density	T	1,55
Recommended crossover (4)	Hz	1200
Driver displacement volume	l (ft ³)	0,2 (0.007)

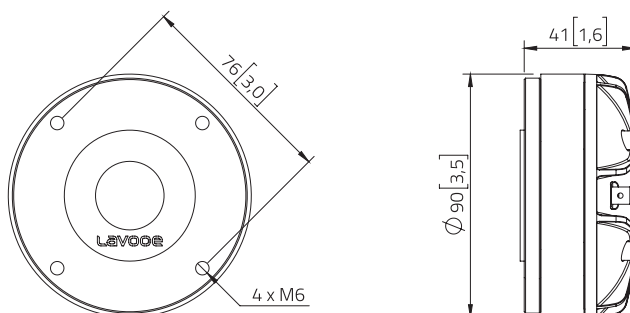
SHIPPING INFORMATION

Net weight	kg (lb.)	0,9 (2)
Multipack size (12)	mm	412 x 254 x 139
W x D x H	(in.)	(16.2 x 10 x 5.5)
Multipack weight	kg (lb.)	13,2 (29.1)

FREQUENCY RESPONSE



DIMENSIONS mm (in.)



(1) Program power is defined as 3 dB greater than AES Power. (2) Horn loaded test for 2h with continuous, band-limited (1200-20000 Hz, 12dB/oct.) pink noise as per AES 2-1984 Rev. 2003. (3) Measured on axis at 2.83V, 1m, driver loaded with HD1003 horn, SPL averaged in the frequency range 1000 ÷ 20000 Hz. (4) High pass filter with slope 12dB/oct. or higher.

All specifications subject to change without notice_G.a

WWW.LAVOCESPEAKERS.COM



Lavoce Italiana

sales@lavocespeakers.com sales.cn@lavocespeakers.com