

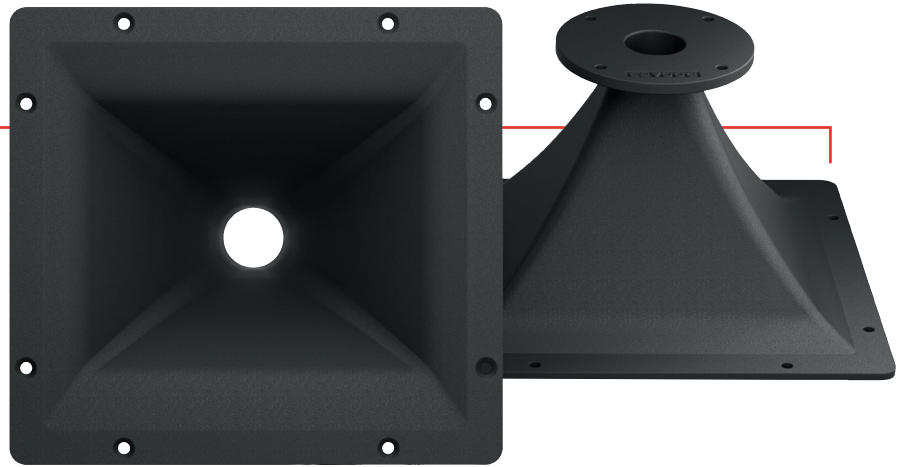
# HD1402

Lavoce

## 1,4" THROAT ENTRY HORN

**OEM only**

- 60° X 40° NOMINAL COVERAGE
- CUT-OFF FREQUENCY 800 Hz
- ALUMINIUM CONSTRUCTION TO ENSURE HIGH MECHANICAL STRENGTH AND HEAT DISSIPATION
- FEM OPTIMIZED FOR CONSTANT DIRECTIVITY



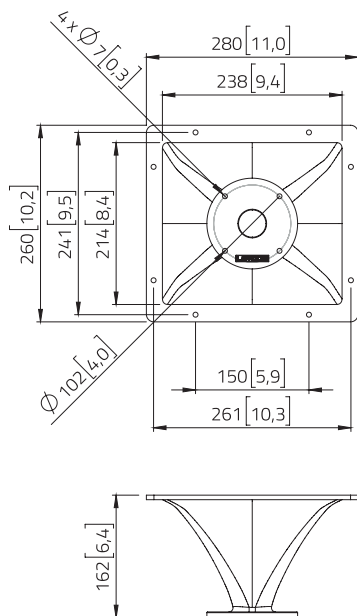
### GENERAL SPECIFICATIONS

Throat diameter	mm (in.)	36 (1,4)
Horizontal nominal coverage	°	60
Vertical nominal coverage	°	40
Cutoff Frequency	Hz	800
Material	Aluminium	

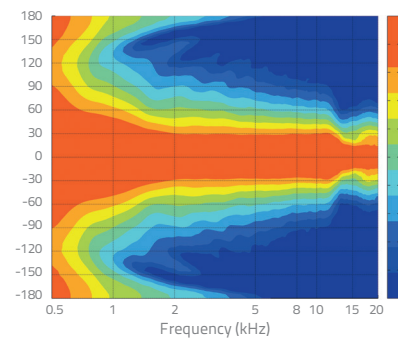
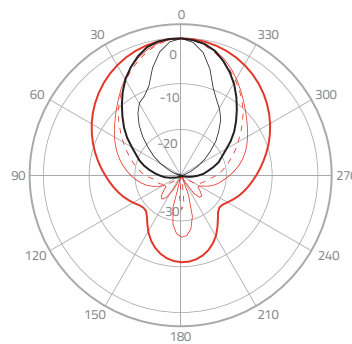
### SHIPPING INFORMATION

Net weight	kg (lb.)	1,5 (3.3)
Multipack size (1)	mm (in.)	290 x 280 x 131 (11.4 x 11 x 5.2)
W x D x H		
Multipack weight	kg (lb.)	1,8 (3.9)

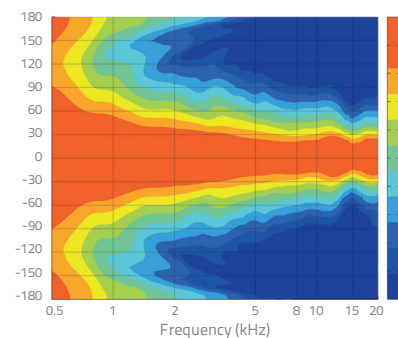
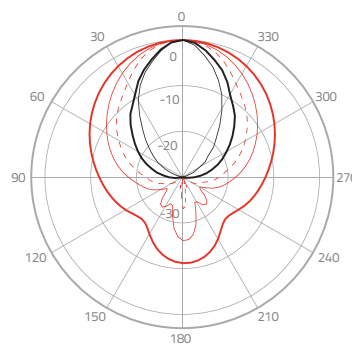
### DIMENSIONS mm (in.)



### HORIZONTAL ANGLE\*



### VERTICAL ANGLE\*



\* Horn measured using LAVOCE DN14.30T compression driver

All specifications subject to change without notice\_B.a

1 kHz 2 kHz 4 kHz 8 kHz 16 kHz

WWW.LAVOCESPEAKERS.COM



Lavoce Italiana

sales@lavocespeakers.com sales.cn@lavocespeakers.com