

# CHP-70 (Gen. 2)

Extended Full-Range emitter  
Natural colour cone model



CHP-70 Gen. 2 Full Range audio driver.

This updated (Gen. 2) CHP-70 driver is designed to make a semi-vintage classic sound, similar to the smaller full range driver designs from the 1950's. Its middle-high range output has been made to "roll-off" from 7-kHz up. This helps to keep the high range sounding smooth and warm. This driver makes the singers voice sound very natural, a little warm, pleasing for many hours of listening.

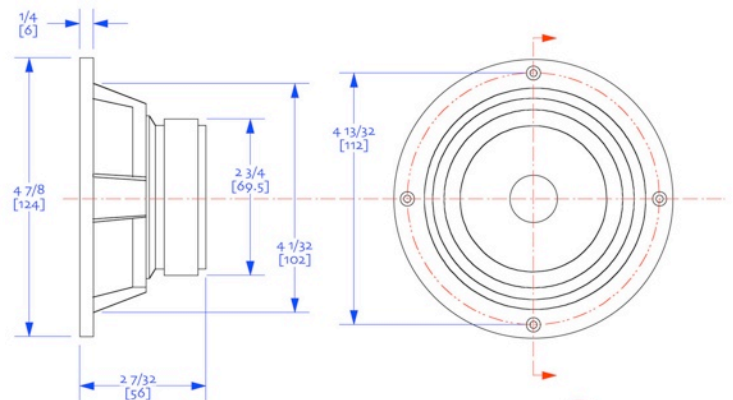
The CHP-70 Gen. 2 will assist in the control of sharp or hard sounding compressed music (digital) . This CHP delivers a tone that appeals to classic music enthusiasts using smaller amplifiers. The off-axis and sound-spread of the CHP-70 is excellent. This driver is capable of filling a room environment with an "easy listening" experience, especially for human voice. The bass response from the CHP-70 Gen. 2 in a properly tuned box is excellent for this smaller sized driver. Typically, for lower power applications, in a Bass-Reflex or Vented box, lower responses close to 40Hz can be obtained.

Many technical improvements has been done.

- 1 - Improved stiffer frame.
- 2 - New cap design with new improved fitting method.
- 3 - New Japanese deigned coil.
- 4 - New spider for improved bass.
- 5 -2 colour choice (natural paper and black paper cones)

The CHP-70 Gen. 2 is an excellent "classic" and "natural" sound driver.

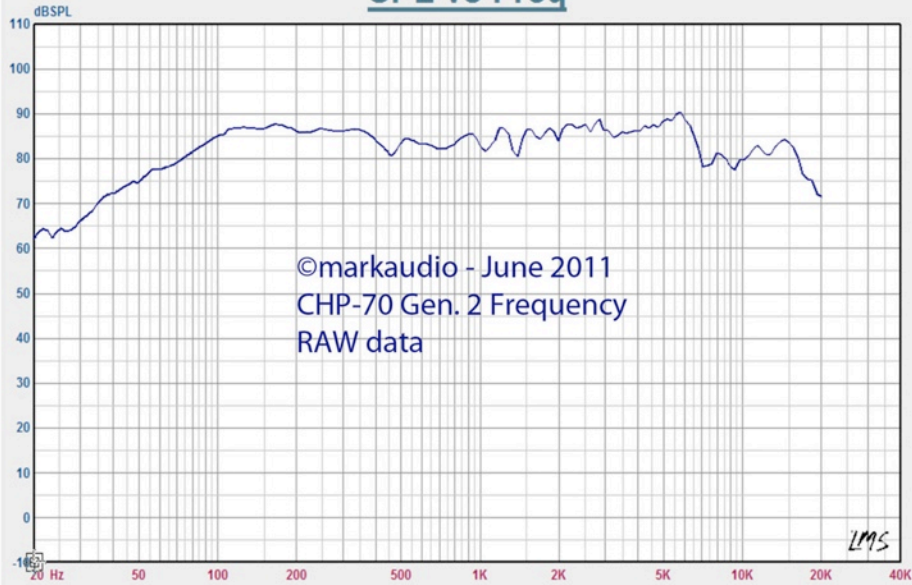
| CHP-70 Gen. 2  | Data                   |
|----------------|------------------------|
| REVC           | 7.2 Ohm                |
| Fo             | 72.3                   |
| Sd             | 5.02 K mm <sup>2</sup> |
| Vas            | 4.7 Ltrs               |
| Cms            | 1.31 uM/N              |
| Mmd            | 3.49 g                 |
| Mms            | 3.70 g                 |
| BL             | 4.24 T*M               |
| Qms            | 2.30                   |
| Qes            | 0.67                   |
| Qts            | 0.52                   |
| Levc           | 30.61 uH               |
| No             | 0.26%                  |
| Spl            | 86.5 dB                |
| Pwr            | 20w Nom.               |
| X max          | 4.2-mm 1 way           |
| Coil Dia       | 20-mm                  |
| Main tolerance | +/- 2hz on mean Fo     |



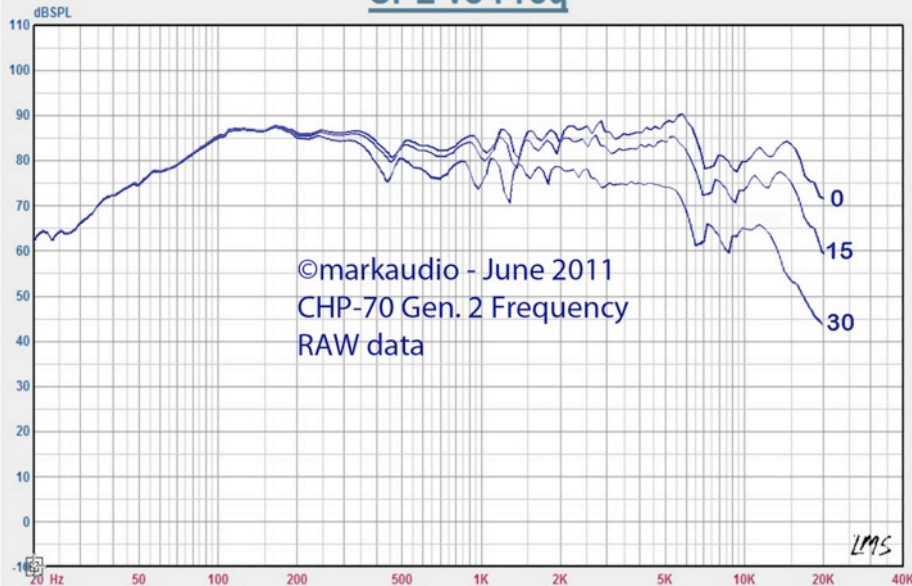
Note that these come with a 2mm gasket, which doesn't compress very much, so it needs to be accounted for when cutting the rebates.

Small to medium sized speakers are usually lower power designs. The power rating is given in the technical data for each audio driver. For a reliable long service life, please operate your new speakers with care. For the first 100 hours, operate them at very low volumes. After this period, gradually increase the volume to a normal listening level. If you see the cone of the speakers making large movements, immediately turn the volume down. This will protect the speaker and your human hearing from damage. Factory mechanical defects for a period of 1 year. Excessive hard use (over-driving) and other damage caused during customer use is excluded from our warranty.

### SPL vs Freq



### SPL vs Freq



### Impedance vs Freq

