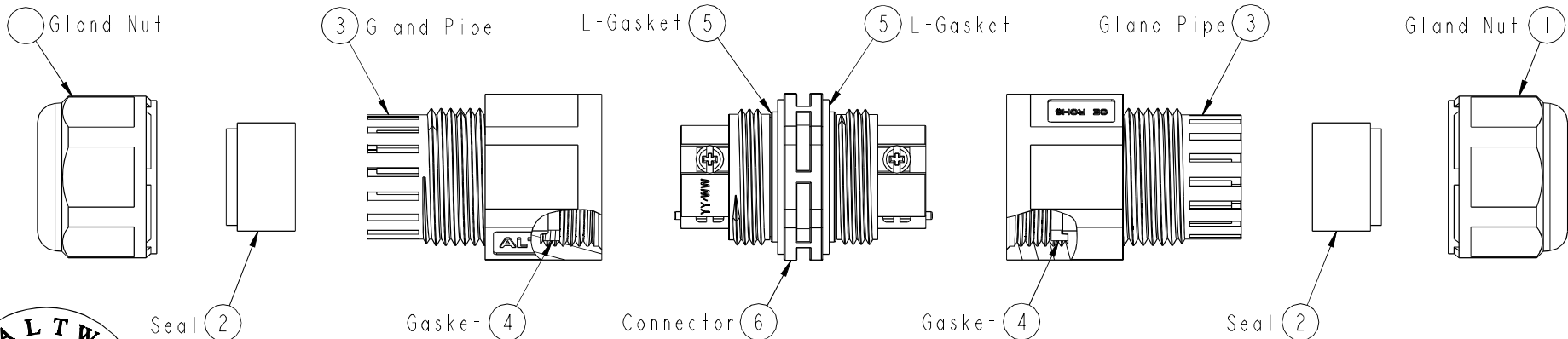
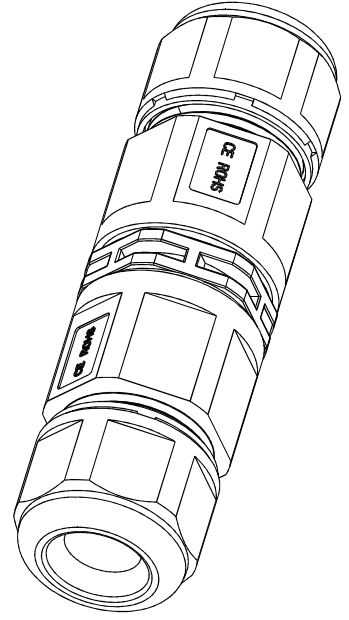
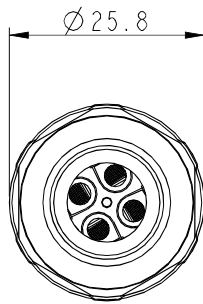
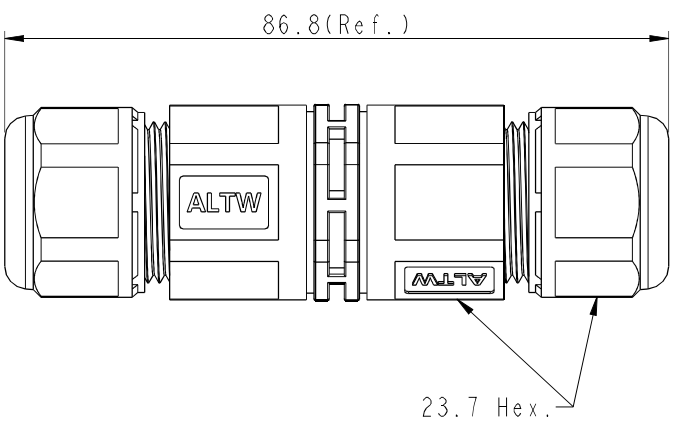
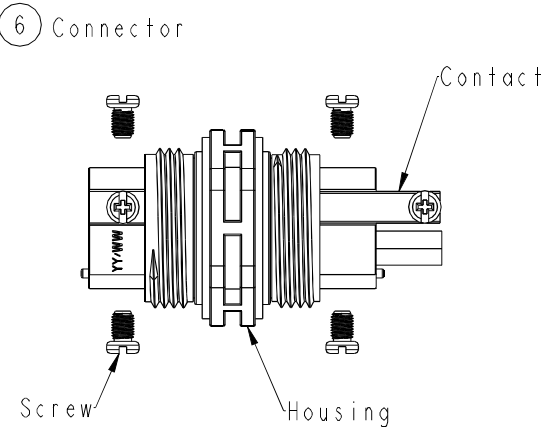


THIS DOCUMENT IS SUBJECT TO CHANGE WITHOUT NOTICE. IT IS CONFIDENTIAL AND A PROPERTY OF AMPHENOL LTW. DISCLOSURE TO THIRD PARTY HAS TO BE AUTHORIZED BY AMPHENOL LTW.

REV.	ECN NO.	DATE	SIGN	DESCRIPTION
D	LEN1690093~104	2016/09/03	Joyy	Modify the packaging and quantity
E	LEN1790140~51	2017-08-29	Lingpeng	Change The Note
F	NI80019	2017-08-29	Lingpeng	Add 5 Pole



**ALTW**  
**CONFIDENTIAL**  
 2019-03-14  
**R&D DEPT.**



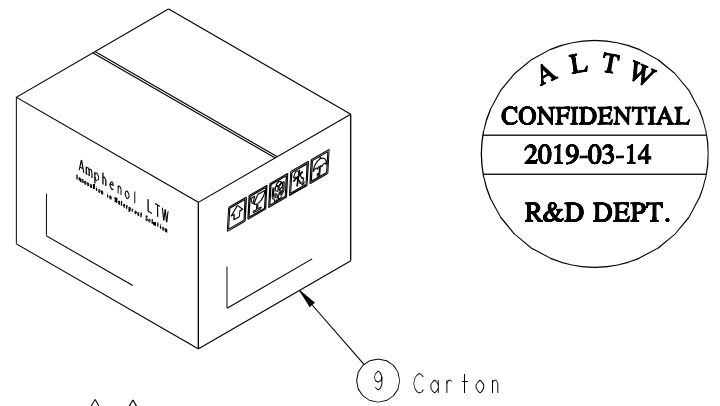
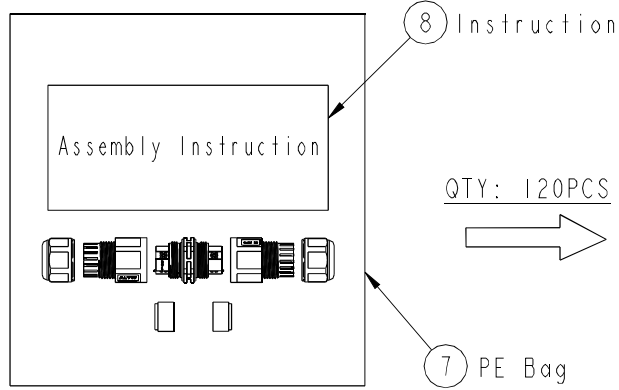
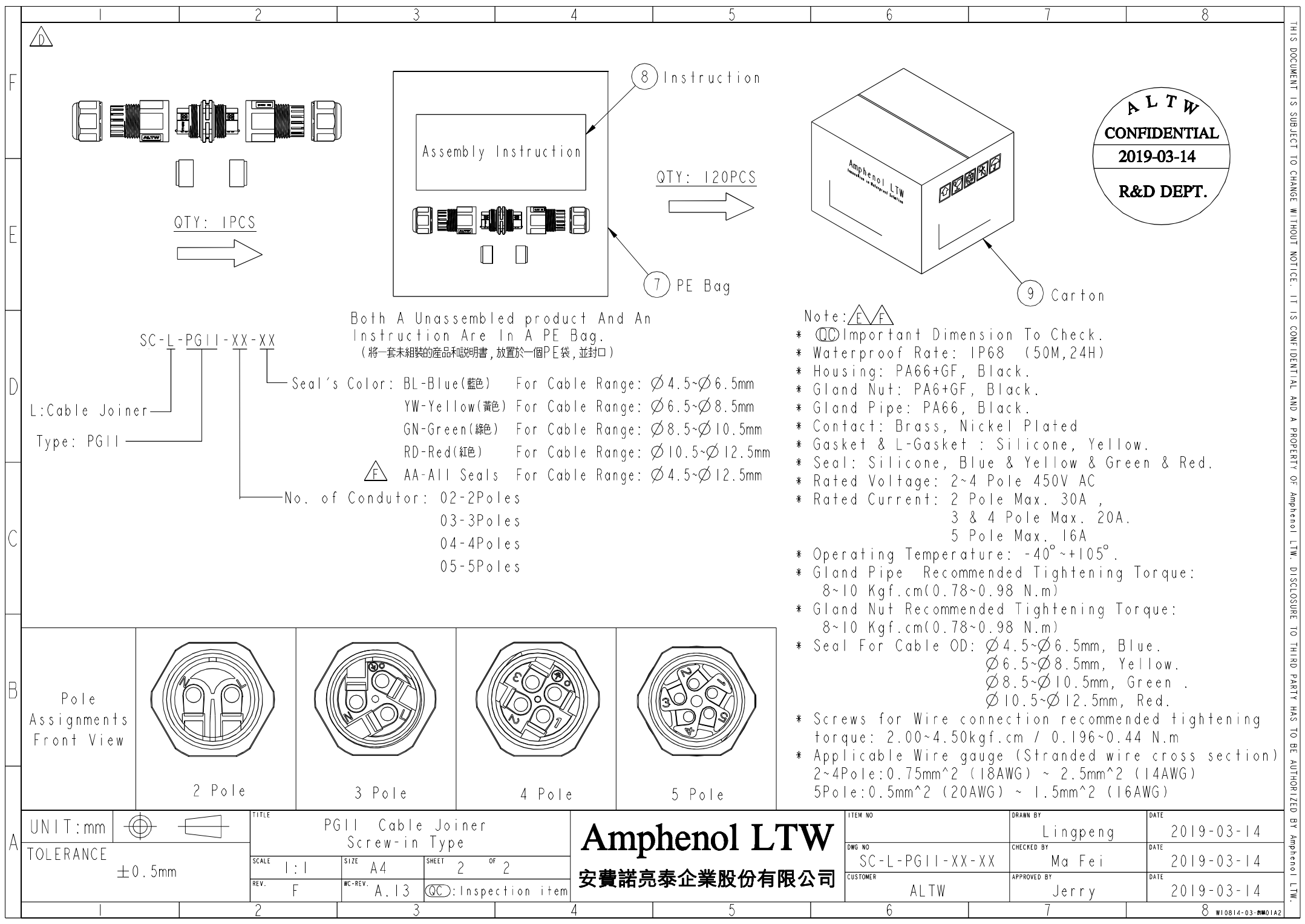
UNIT:mm		
TOLERANCE	±0.5mm	

TITLE PG11 Cable Joiner Screw-in Type		
SCALE 1:1	SIZE A4	SHEET 1 OF 2
REV. F	WC-REV. A.13	: Inspection item

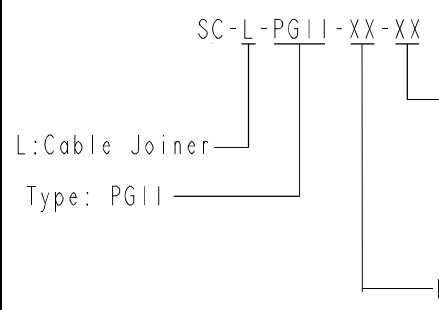
**Amphenol LTW**  
 安費諾亮泰企業股份有限公司

ITEM NO.	DRAWN BY Lingpeng	DATE 2019-03-14
DWG NO. SC-L-PG11-XX-XX	CHECKED BY Ma Fei	DATE 2019-03-14
CUSTOMER ALTW	APPROVED BY Jerry	DATE 2019-03-14

THIS DOCUMENT IS SUBJECT TO CHANGE WITHOUT NOTICE. IT IS CONFIDENTIAL AND A PROPERTY OF AMPHENOL LTW. DISCLOSURE TO THIRD PARTY HAS TO BE AUTHORIZED BY AMPHENOL LTW.

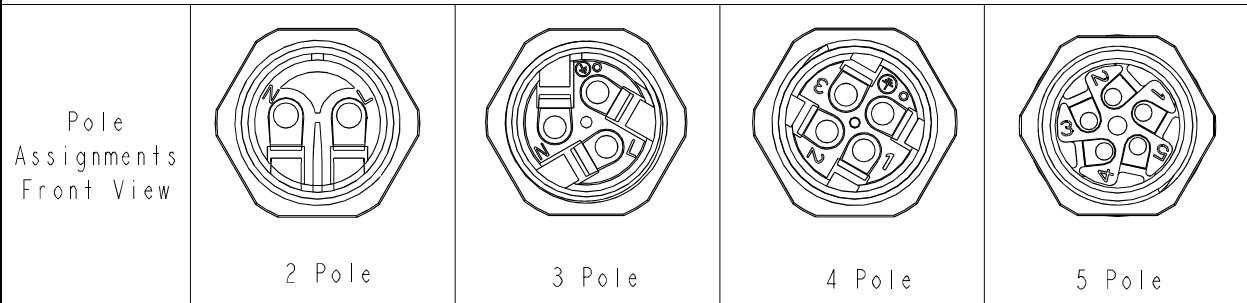


Both A Unassembled product And An Instruction Are In A PE Bag.  
 (將一套未組裝的產品和說明書，放置於一個PE袋，並封口)



- Seal's Color: BL-Blue(藍色) For Cable Range:  $\varnothing 4.5\sim\varnothing 6.5\text{mm}$   
 YW-Yellow(黃色) For Cable Range:  $\varnothing 6.5\sim\varnothing 8.5\text{mm}$   
 GN-Green(綠色) For Cable Range:  $\varnothing 8.5\sim\varnothing 10.5\text{mm}$   
 RD-Red(紅色) For Cable Range:  $\varnothing 10.5\sim\varnothing 12.5\text{mm}$   
 AA-All Seals For Cable Range:  $\varnothing 4.5\sim\varnothing 12.5\text{mm}$
- No. of Conductor: 02-2Poles  
 03-3Poles  
 04-4Poles  
 05-5Poles

- Note:  $\triangle$   $\nabla$   $\square$
- \*  $\square$  Important Dimension To Check.
  - \* Waterproof Rate: IP68 (50M, 24H)
  - \* Housing: PA66+GF, Black.
  - \* Gland Nut: PA6+GF, Black.
  - \* Gland Pipe: PA66, Black.
  - \* Contact: Brass, Nickel Plated
  - \* Gasket & L-Gasket : Silicone, Yellow.
  - \* Seal: Silicone, Blue & Yellow & Green & Red.
  - \* Rated Voltage: 2~4 Pole 450V AC
  - \* Rated Current: 2 Pole Max. 30A,  
 3 & 4 Pole Max. 20A,  
 5 Pole Max. 16A
  - \* Operating Temperature:  $-40^{\circ}\sim+105^{\circ}$ .
  - \* Gland Pipe Recommended Tightening Torque:  
 8~10 Kgf.cm(0.78~0.98 N.m)
  - \* Gland Nut Recommended Tightening Torque:  
 8~10 Kgf.cm(0.78~0.98 N.m)
  - \* Seal For Cable OD:  $\varnothing 4.5\sim\varnothing 6.5\text{mm}$ , Blue.  
 $\varnothing 6.5\sim\varnothing 8.5\text{mm}$ , Yellow.  
 $\varnothing 8.5\sim\varnothing 10.5\text{mm}$ , Green.  
 $\varnothing 10.5\sim\varnothing 12.5\text{mm}$ , Red.
  - \* Screws for Wire connection recommended tightening torque: 2.00~4.50kgf.cm / 0.196~0.44 N.m
  - \* Applicable Wire gauge (Stranded wire cross section)  
 2~4Pole:  $0.75\text{mm}^2$  (18AWG) ~  $2.5\text{mm}^2$  (14AWG)  
 5Pole:  $0.5\text{mm}^2$  (20AWG) ~  $1.5\text{mm}^2$  (16AWG)



UNIT:mm TOLERANCE $\pm 0.5\text{mm}$	TITLE PG11 Cable Joiner Screw-in Type		Amphenol LTW 安費諾亮泰企業股份有限公司		ITEM NO	DRAWN BY Lingpeng	DATE 2019-03-14
	SCALE 1:1	SIZE A4			SHEET 2 OF 2	DWG NO SC-L-PG11-XX-XX	CHECKED BY Ma Fei
	REV. F	WC-REV. A.13	$\square$ : Inspection item	CUSTOMER ALTW	APPROVED BY Jerry	DATE 2019-03-14	