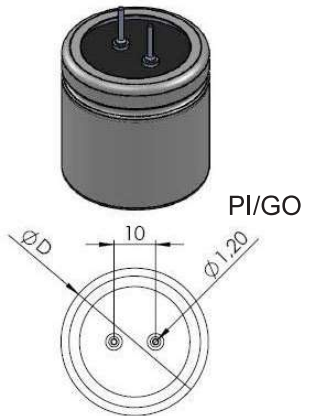
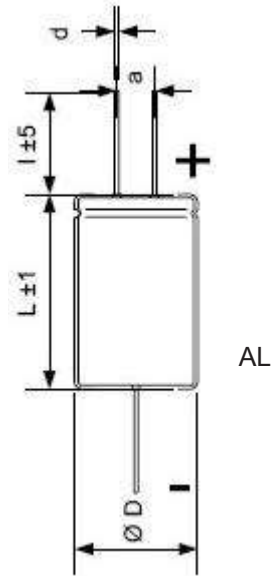


# Power Capacitors MLytic HV



The **MLytic® HV · High Voltage Power Cap** series offers all benefits of Mundorf's unique MLytic® technology as described in detail on page 6 plus the following features:

Supply availability	Typically immediately ex stock for all types listed on page 23  4-6 weeks for your individual combination of features · from 144pcs only
Versatile applicable	RoHS-compliant · lead free REACH compliant Finest UL-listed ingredients only Sectional specification DIN 41332 · IEC 60384-4 Climatic category IEC 60068 40/105/56
Indication of origin	Made in Germany with greatest care
Capacitance range	4,7µF to 4 700µF
DC voltage range	250 · 350 · 400 · 450 · 500 · 550
Temperature range	-25°C/-13°F to 105°C/+220°F for 250V to 450V -40°C/-40°F to 85°C/+185°F for 500V to 550V
Diverse connectors	AL · axial leaded PI · plug-in GO · glue-on SL · solder-lugs
Useful lifetime [U <sub>R</sub> · I <sub>R-</sub> ]	8 000 hours at +105°C/+220°F for 250V to 450V 16 000 hours at +85°C/+185°F for 250V to 450V 8 000 hours at +85°C/+185°F for 500V to 550V
Rated lifetime [U <sub>R</sub> ]	2 000 hours at +105°C/+220°F for 250V to 450V 2 000 hours at +125°C/+255°F for 500V to 550V
Case diameters [mm]	10 · 12 · 14 · 16 · 18 · 20 · 25 · 30 · 35 · 40 · 45
Case heights [mm]	Customized from 25 to 100 [typically in 5mm steps]
Case diameters [inch]	0.39 · 0.47 · 0.55 · 0.63 · 0.71 · 0.79 · 0.98 · 1.18 · 1.38 · 1.57 · 1.77
Case heights [inch]	Customized from 0.98 to 3.94 [typically in 0.2inch steps]
External insulation	Lead free PVC sleeve with end disk · voltage proof ≥2500 AC
Leakage current [I <sub>L</sub> ]	≤ 0,008 * C <sub>R</sub> [µF] * U <sub>R</sub> [V] + 6µA after 5 minutes at U <sub>R</sub>
[ESL]	20nH equivalent series inductance
Maximal reverse voltage	2V



The **MLytic® HV • High Voltage Power Cap series** is especially engineered for use in tube amplifiers. Two classic double-capacity versions and two contemporary 2-pin layouts are available ex stock.

The ultra compact, axial leaded **MLAL** capacitors feature non-magnetic, tinned copper wires.

The superior **MLSL** 500V offers more powerful, non-magnetic DIN connectors for higher currents.

The snap-in intermateable **MLGO** capacitors offer non-magnetic, straight, tinned copper wires  $\varnothing$  1.2mm  $\approx$  AWG17. Additionally they own a vibration-reducing, traction-relieving, self-adhesive MPSA • Mounting Pad.



**MLAL**

**High Voltage electrolyte Twin-Power Cap, Axial-Leaded, 3Pin**

Rated Voltage [VDC]	Capacitance [ $\mu$ F] $\pm$ 20%	Case Size $\varnothing$ * L [mm]	Wire Size $\varnothing$ * L [mm]	Rated Ripple Current IR~ at Tmax and 100Hz [A]	Surge Voltage [VDC]	ESR at 100 Hz [mOhm]	Tan $\delta$ @ 100Hz	Nominal Current IR for 5 Min. [ $\mu$ A]	[€]
450	47+47	30 * 50	1,4 * 50	0,3	495	3386	10	600	14,90
450	100+100	35 * 50	1,4 * 50	0,5	495	1592	10	270	17,90

**MLAL**

**High Voltage Power Cap, Axial-Leaded, 2Pin**

Rated Voltage [VDC]	Capacitance [ $\mu$ F] $\pm$ 20%	Case Size $\varnothing$ * L [mm]	Wire Size $\varnothing$ * L [mm]	Rated Ripple Current IR~ at Tmax and 100Hz [A]	Surge Voltage [VDC]	ESR at 100 Hz [mOhm]	Tan $\delta$ @ 100Hz	Nominal Current IR for 5 Min. [ $\mu$ A]	[€]
500	10	16 * 39	0,8 * 40	0,1	550	9549	6	30	2,99
500	22	21 * 36	0,8 * 40	0,2	550	4341	6	66	3,99
500	33	25 * 38	0,8 * 40	0,3	550	2894	6	100	5,99
500	47	25 * 49	0,8 * 40	0,4	550	2032	6	142	7,99
500	100	30 * 49	1,0 * 40	0,6	550	955	6	300	9,99

**MLSL**

**High Voltage Electrolyte Twin-Power Cap, Solder-Lugs, 3Pin**

Rated Voltage [VDC]	Capacitance [ $\mu$ F] $\pm$ 20%	Case Size $\varnothing$ * L [mm]	Wire Size $\varnothing$ * L [mm]	Rated Ripple Current IR~ at Tmax and 100Hz [A]	Surge Voltage [VDC]	ESR at 100 Hz [mOhm]	Tan $\delta$ @ 100Hz	Nominal Current IR for 5 Min. [ $\mu$ A]	[€]
500	50+50	35 * 50	1 * 4 * 7	0,4	550	3183	10	400	17,90
500	100+100	35 * 66	1 * 4 * 7	0,5	550	1592	10	300	19,90
500	200+200	35 * 80	1 * 4 * 7	0,8	550	796	10	600	29,90

**MLGO**

**High Voltage Power Cap, Glue-On, 2Pin**

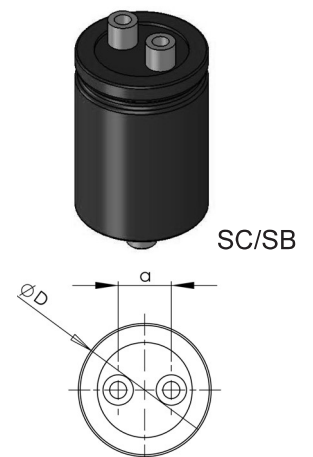
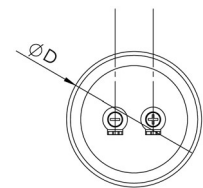
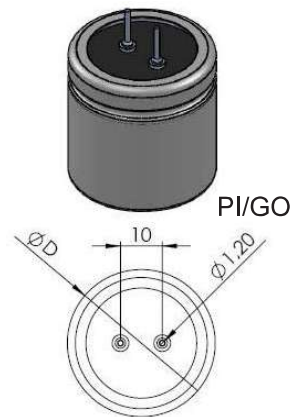
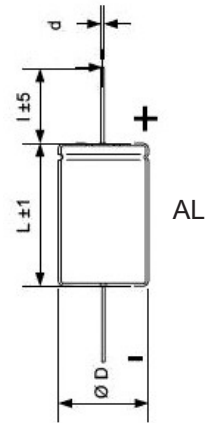
	Rated Voltage [VDC]	Capacitance [ $\mu$ F] $\pm$ 20%	Case Size $\varnothing$ * L [mm]	Wire Size $\varnothing$ * L [mm]	Rated Ripple Current IR~ at Tmax and 100Hz [A]	Surge Voltage [VDC]	ESR at 100 Hz [mOhm]	Tan $\delta$ @ 100Hz	Nominal Current IR for 5 Min. [ $\mu$ A]	[€]
<b>NEW</b>	450	22	22 * 25	1,2 * 1,0	0,2	495	5064	7	180	11,90
<b>NEW</b>	450	47	22 * 25	1,2 * 1,0	0,3	495	2310	7	240	12,90
	450	100	25 * 30	1,2 * 1,0	0,3	495	2387	15	270	13,90
	450	150	30 * 30	1,2 * 1,0	0,5	495	1592	15	406	16,90
	450	220	30 * 40	1,2 * 1,0	0,6	495	1085	15	594	19,90
	450	330	35 * 40	1,2 * 1,0	0,8	495	723	15	892	24,90
	450	470	35 * 50	1,2 * 1,0	1,1	495	508	15	1270	29,90
	450	680	35 * 60	1,2 * 1,0	1,4	495	351	15	1836	39,90

# Power Capacitors MLytic AG



The **MLytic® AG · Audio Grade Power Cap** series offers all benefits of Mundorf's unique MLYtic® technology as described in detail on page 6 plus the following features:

Supply availability	Typically immediately ex stock for all types listed on page 21  4-6 weeks for your individual combination of features · from 144pcs only
Versatile applicable	RoHS-compliant · lead free REACH compliant Finest UL-listed ingredients only Sectional specification DIN 41332 · IEC 60384-4 Climatic category IEC 60068 40/105/56
Indication of origin	Made in Germany with greatest care
Capacitance range	47µF to 330 000µF
DC voltage range	16 · 25 · 35 · 40 · 50 · 63 · 80 · 100 · 160
Temperature range	-40°C/-40°F to 125°C/+255°F for 16V to 63V -25°C/-13°F to 105°C/+220°F for 80V to 160V
Diverse connectors	AL · axial leaded PI · plug-in GO · glue-on SL · solder-lugs SC · screw-terminal clamp mounted SB · screw-terminal bolt mounted
Useful lifetime [U <sub>R</sub> · I <sub>R~</sub> ]	3 000 hours at +125°C/+255°F for 16V to 63V 8 000 hours at +105°C/+220°F for 16V to 160V 16 000 hours at +85°C/+185°F for 16V to 160V
Rated lifetime [U <sub>R</sub> ]	1 000 hours at +125°C/+255°F for 16V to 63V 2 000 hours at +105°C/+220°F for 16V to 160V
Case diameters [mm]	10 · 12 · 14 · 16 · 18 · 20 · 25 · 30 35 · 40 · 45 · 50 · 65 · 75 · 90
Case heights [mm]	Customized from 25 to 230 [typically in 5mm steps]
Case diameters [inch]	0.39 · 0.47 · 0.55 · 0.63 · 0.71 · 0.79 · 0.98 · 1.18 1.38 · 1.57 · 1.77 · 1.97 · 2.56 · 2.95 · 3.54
Case heights [inch]	Customized from 0.98 to 9.06 [typically in 0.2inch steps]
External insulation	Lead free PVC sleeve with end disk · voltage proof ≥2500 A
Leakage current [I <sub>L</sub> ]	≤ 0,008 * C <sub>R</sub> [µF] * U <sub>R</sub> [V] + 6µA after 5 minutes at U <sub>R</sub>
[ESL]	20nH equivalent series inductance
Maximal reverse voltage	2V



## Power Capacitors MLytic AG

Inner Excellence

The **MLytic® AG • Audio Grade Power Cap** series is especially engineered for use in small power and pre amplifiers.

**MLGO • glue-on** capacitors offer non-magnetic, straight, tinned copper wires Ø 1.2mm ≈ AWG17. Additionally they own a vibration-reducing, traction-relieving, self-adhesive MPSA • Mounting Pad.

They supersede the well-known MLSI series. Drill hole spacing [pitch] of **MLGO • glue-on** remains 10mm/0.39inch. Hence they are snap-in capacitor intermateable and so particularly suitable for repairs and modifications.



### MLGO Audio Grade Power Cap, Glue-On, 2Pin

Rated Voltage [VDC]	Capacitance [µF] ±20%	Case Size Ø * L [mm]	Wire Size Ø * L [mm]	Rated Ripple Current IR~ at Tmax and 100Hz [A]	Surge Voltage [VDC]	ESR at 100 Hz [mOhm]	Tan δ @ 100Hz	Nominal Current IR for 5 Min. [µA]	[€]
100	1000	25 * 30	1,2 * 1,0	1,2	115	127	8	600	12,90
100	1500	25 * 35	1,2 * 1,0	1,5	115	85	8	900	14,90
80	10000	35 * 50	1,2 * 1,0	3,9	92	24	15	4800	29,90
63	2200	25 * 30	1,2 * 1,0	1,7	72	58	8	830	13,90
63	3300	30 * 30	1,2 * 1,0	2,1	72	48	10	1246	14,90
63	4700	30 * 35	1,2 * 1,0	2,6	72	41	12	1776	15,90
63	6800	30 * 40	1,2 * 1,0	3,0	72	28	12	2570	17,90
63	8200	30 * 45	1,2 * 1,0	3,4	72	23	12	3100	19,90
63	10000	30 * 50	1,2 * 1,0	3,5	72	24	15	3780	21,90
63	15000	35 * 60	1,2 * 1,0	5,1	72	16	15	5670	29,90
63	22000	35 * 70	1,2 * 1,0	6,0	72	13	18	8316	39,90
40	4700	25 * 30	1,2 * 1,0	1,8	46	51	15	1128	15,90
40	6800	25 * 35	1,2 * 1,0	2,1	46	42	18	1632	17,90
40	10000	30 * 40	1,2 * 1,0	2,7	46	35	22	2400	19,90
40	22000	35 * 50	1,2 * 1,0	4,4	46	18	25	5280	29,90
40	33000	35 * 60	1,2 * 1,0	5,3	46	14	30	7920	34,90
25	10000	25 * 35	1,2 * 1,0	2,4	28	32	20	1500	14,90
25	22000	30 * 40	1,2 * 1,0	3,5	29	20	28	3300	19,90
25	47000	35 * 50	1,2 * 1,0	5,9	29	10	30	7050	34,90