

Terminals Terminal Posts

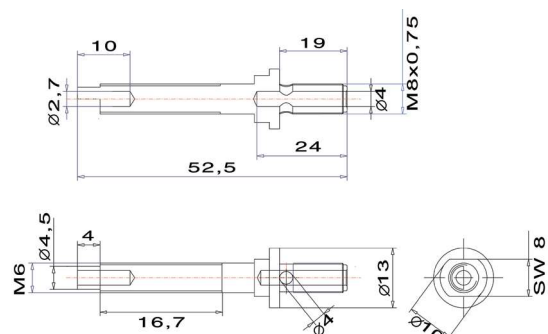


Binding posts 750 EVO

The Terminal Posts **TPCU750** were designed in 2015 for the use in audio applications with low wall thicknesses, like for example amplifiers and loudspeaker terminals.

These combine the superior connectivity of TPCU870 with the lean appearance of TPCU670.

Though their diameter is 20mm only, they own a cross hole to accommodate bare cable ends or a second 4mm banana plug.



Binding posts 750, 2 red + 2 black

2 pair
[€]

TPCU750E	Pure copper EVO	139,90
TPCU750GE	Copper gold-plated EVO	169,90

All terminal posts are also offered un-assembled as TPCU-OEM for efficient construction.