

**KEY FEATURES:**

- 1.4" Throat diameter**
- 44 mm (1.75 in.) voice coil**
- 80 W Program Power Capacity (2-20 kHz)**
- 109 dB Sensitivity (1 -5 kHz)**
- Frequency range 0.8 - 20 kHz**
- New phase plug design**
- Copper inductance ring for extended response**
- Vented suspension**
- Very low distortion**

The D3644 is 1.4" high frequency compression driver, improved version of D3645, with reduced weight. It is designed for a wide variety of applications including budgeted projects requiring 1.4" driver of high quality. The new phasing plug design, copper inductance ring and new dome ensure low distortion at the high sound levels. The D3644 offers all the benefits of the compression driver in a 1.4" format, but at much reduced cost.

## SPECIFICATION

Throat diameter	36 mm (1.4 in.)
Nominal impedance	8/16 Ohms
Minimum impedance	7.46/12.45 Ohms
D.C. resistance	5.75/10.48 Ohms
Power capacity (2-20 kHz)	40 W
Program Power Capacity (2-20 kHz)	80 W
Sensitivity (1-5 kHz)	109 dB
Frequency range	0.8 - 20 kHz
Recommended crossover	1.2 kHz or higher 12 dB/oct.min
Voice coil diameter	44 mm (1.75 in.)
Flux density	1.75 T

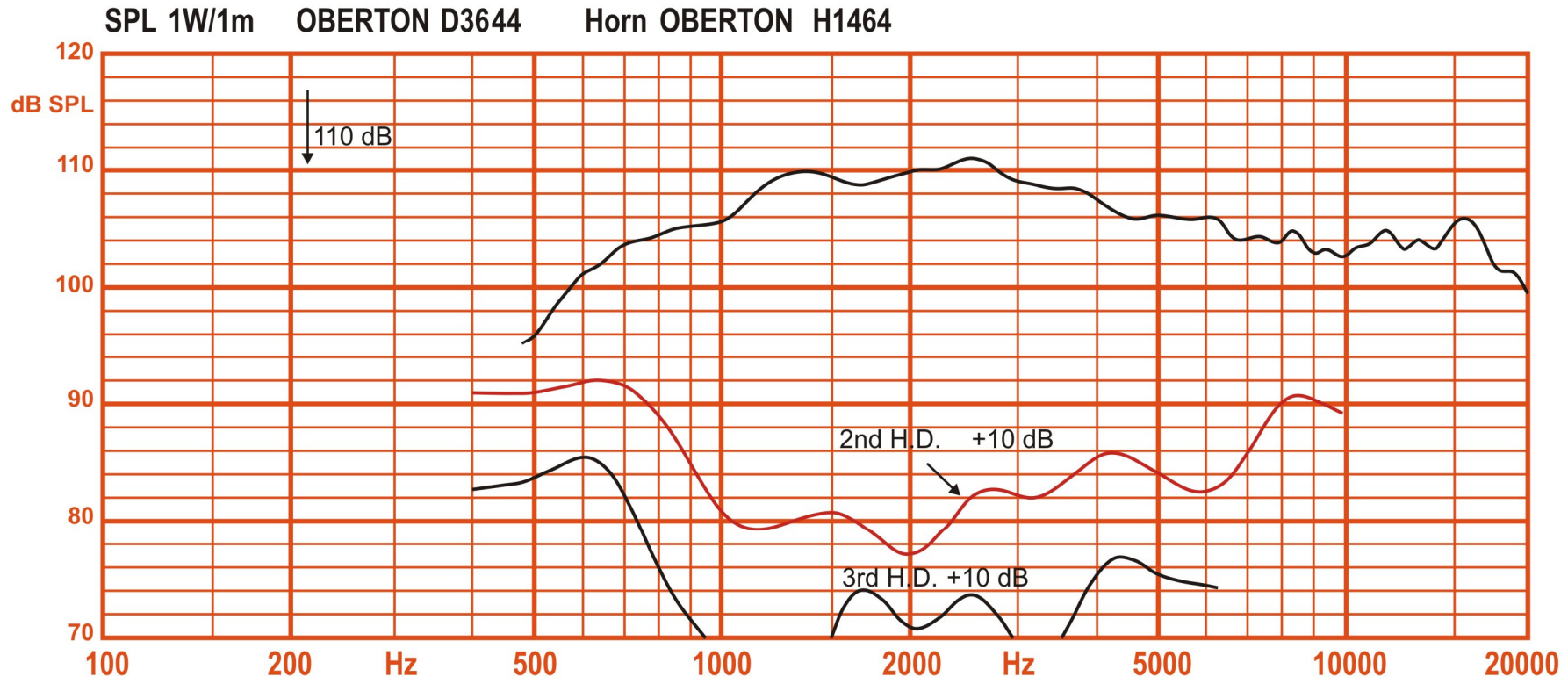
Positive voltage on red terminal moves diaphragm toward the phasing plug

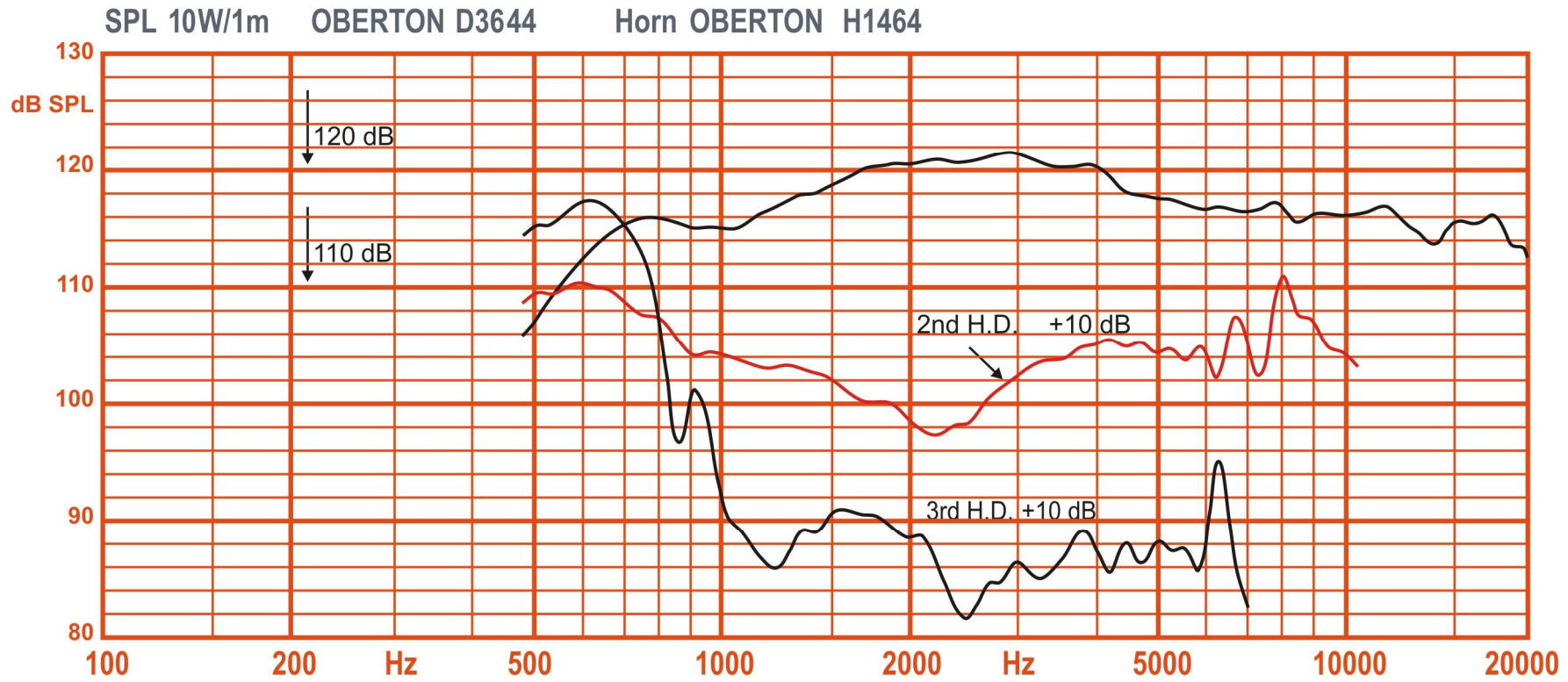
## MATERIALS OF CONSTRUCTION

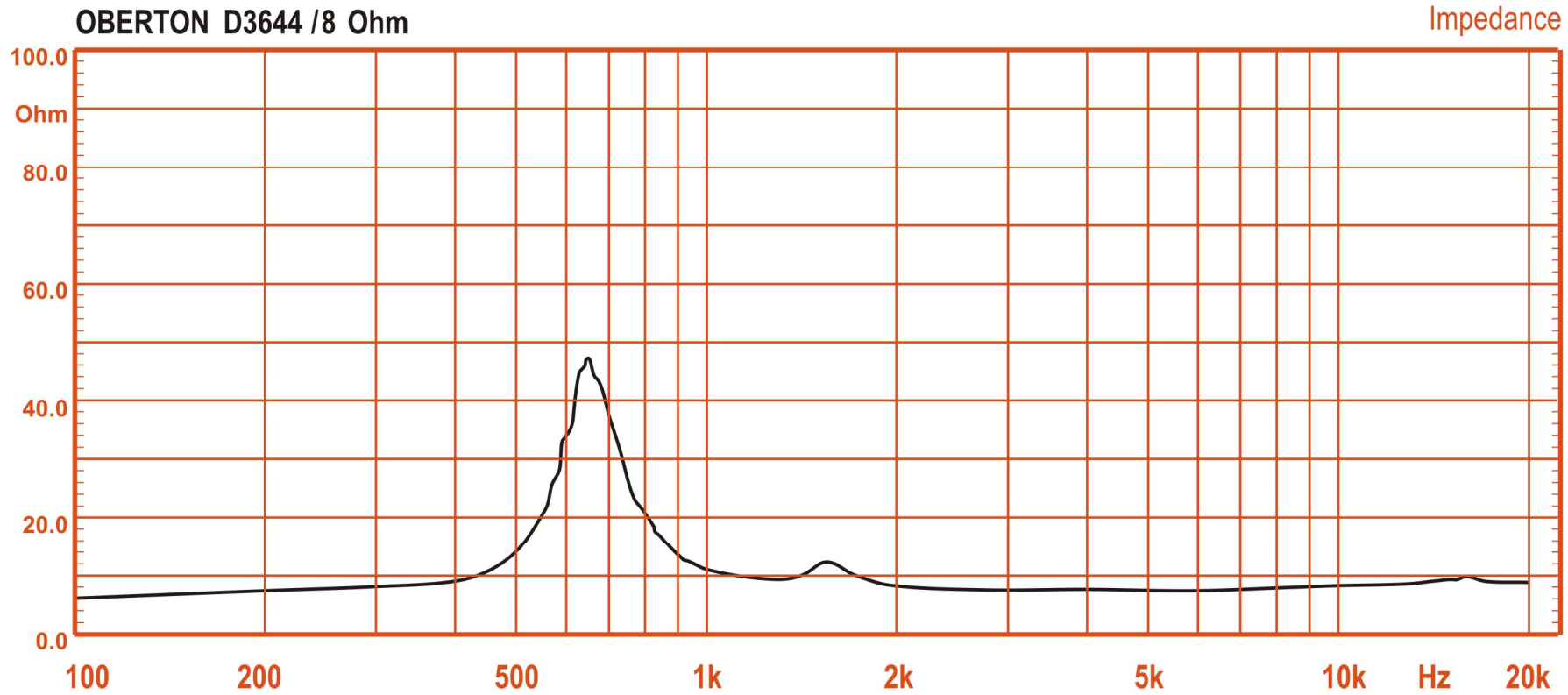
Diaphragm	sandwich polyester
Voice coil material	Aluminium
Voice coil former	Kapton™

## MOUNTING INFORMATION

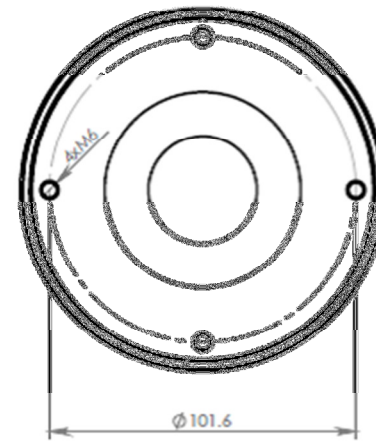
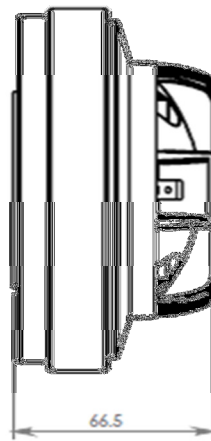
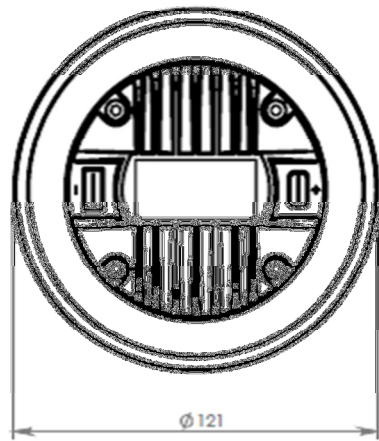
Overall diameter	121 mm
Depth	66 mm
Mounting	4 x M6 on 101,6 mm (4 in.) diameter
Net weight	2.3 kg







[Download PDF](#)



<b>OBERTON</b>	
model:	D3644
Dimensions are in mm	Scale: 1:2