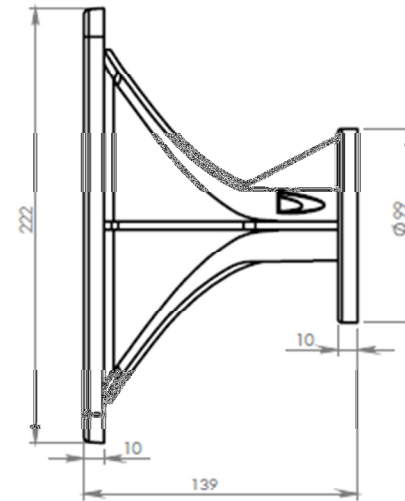
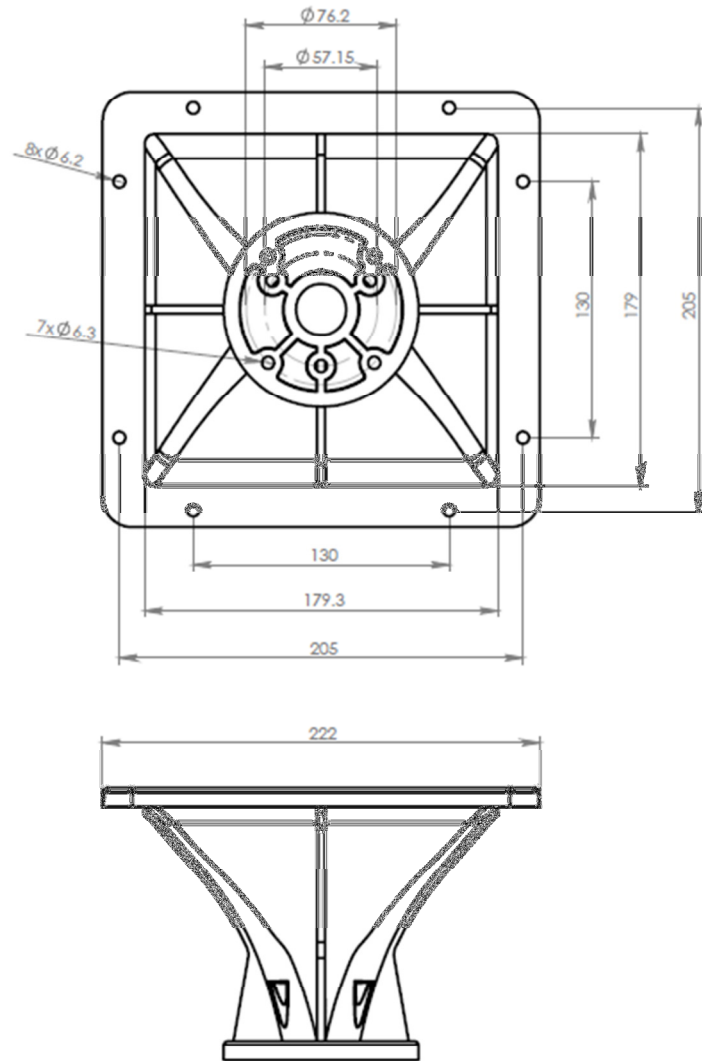


H960



## TECHNICAL SPECIFICATIONS

|                                 |                       |
|---------------------------------|-----------------------|
| <b>Model</b>                    | <b>H 960</b>          |
| <b>Throat diameter</b>          | <b>1"</b>             |
| <b>Nominal angle</b>            | <b>90° x 60°</b>      |
| <b>Cut off frequency</b>        | <b>850 Hz</b>         |
| <b>Dimension (W/H/D)</b>        | <b>222/222/139 mm</b> |
| <b>Baffle Cutout dimensions</b> | <b>180/180 mm</b>     |
| <b>Net weight</b>               | <b>0.670 kg</b>       |
| <b>Material</b>                 | <b>PBT-PET</b>        |



|                      |            |
|----------------------|------------|
| <b>OBERTON</b>       |            |
| model:               | H960       |
| Dimensions are in mm | Scale: 1:3 |