

KEY FEATURES:

- 1" Throat diameter**
- 38 mm (1.5 in.) voice coil**
- 60 W Program Power Capacity (2-20 kHz)**
- 105 dB Sensitivity (2-15 kHz)**
- Frequency range 1.5 - 20 kHz**
- Neodymium magnetic structure**

The ND2539 is a 1" professional compression driver that delivers high sonic quality in a very small package. The driver is designed for a wide variety of applications and special for compact boxes with low weight.

SPECIFICATION

Throat diameter	25,4 mm (1 in.)
Nominal impedance	16 Ohms
Minimum impedance	11.8 Ohms
D.C. resistance	10.7 Ohms
Power capacity (2-20 kHz)	30 W
Program Power Capacity (2-20 kHz)	60 W
Sensitivity (2-15 kHz)	105 dB
Frequency range	1.5 - 20 kHz
Recommended crossover	2 kHz or higher 12 dB/oct.min
Voice coil diameter	38 mm (1,5 in.)
Flux density	1.56 T

Positive voltage on red terminal moves diaphragm toward the phasing plug

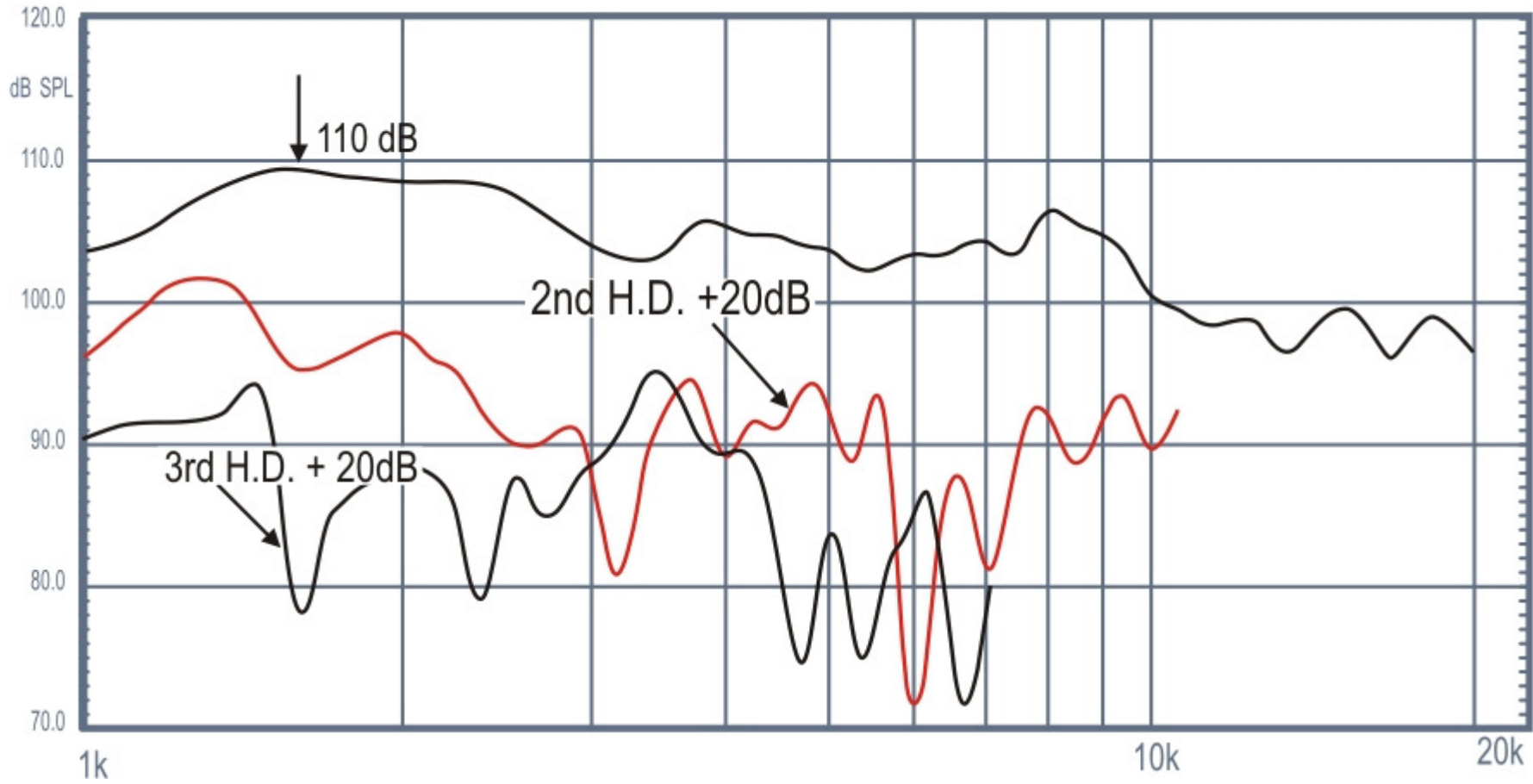
MATERIALS OF CONSTRUCTION

Diaphragm	sandwich polyester
Voice coil material	Aluminium
Voice coil former	Kapton™

MOUNTING INFORMATION

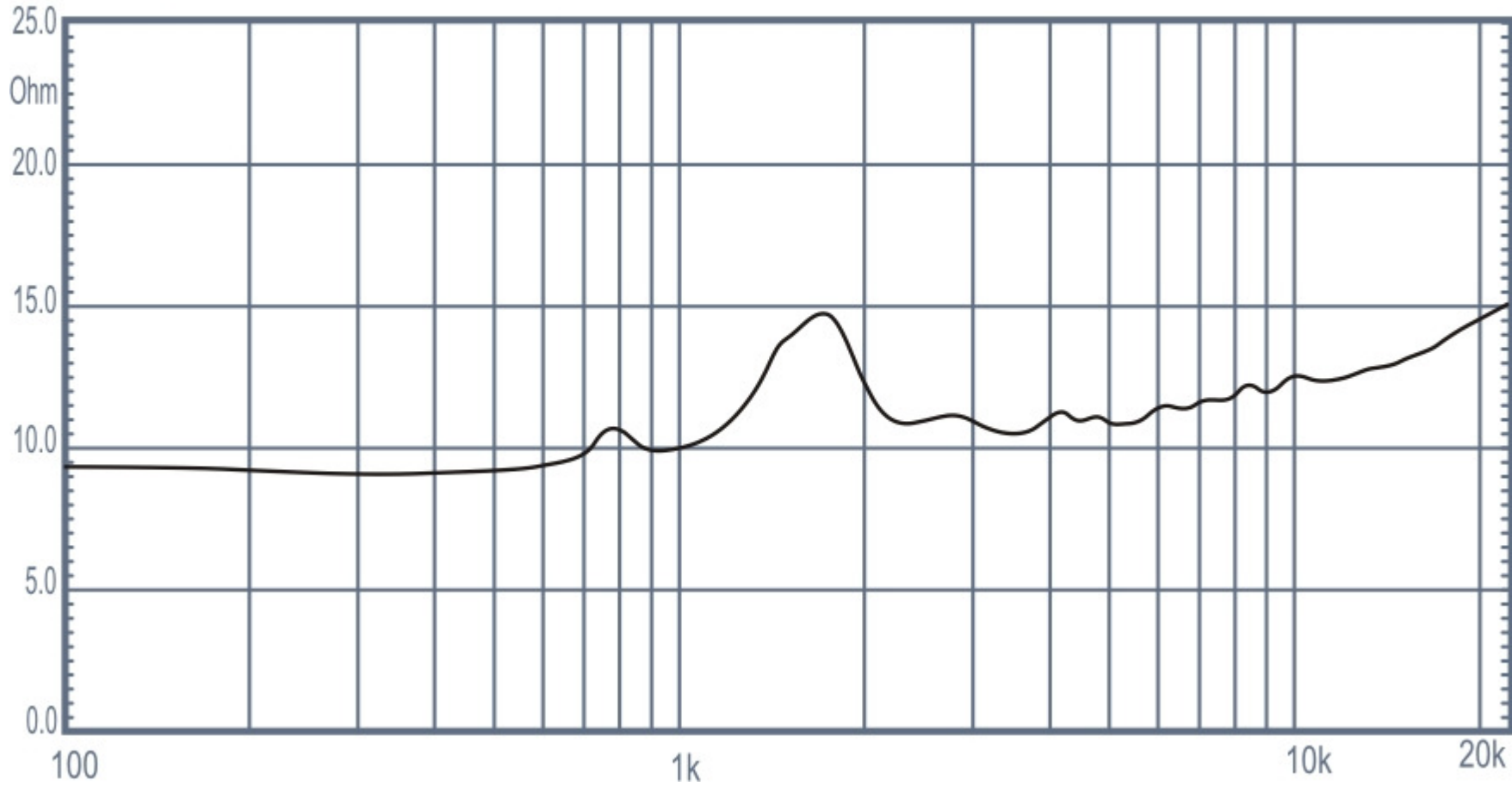
Overall diameter	72 mm
Depth	56 mm
Mounting	1"3/8; 18 N screw
Net weight	0,67 kg

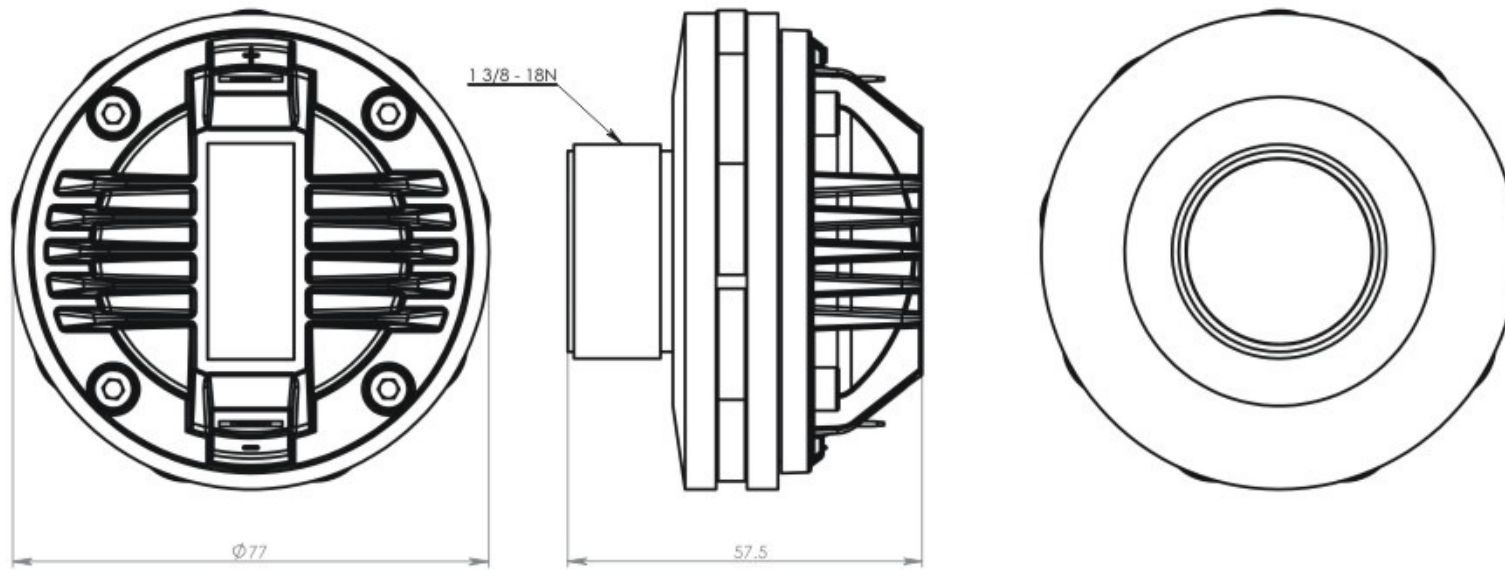
OBERTON ND2539



OBERTON ND2539

Impedance





OBERTON	
model:	ND2539
Dimensions are in mm	Scale: 1:1