

● Pure Titanium Diaphragm

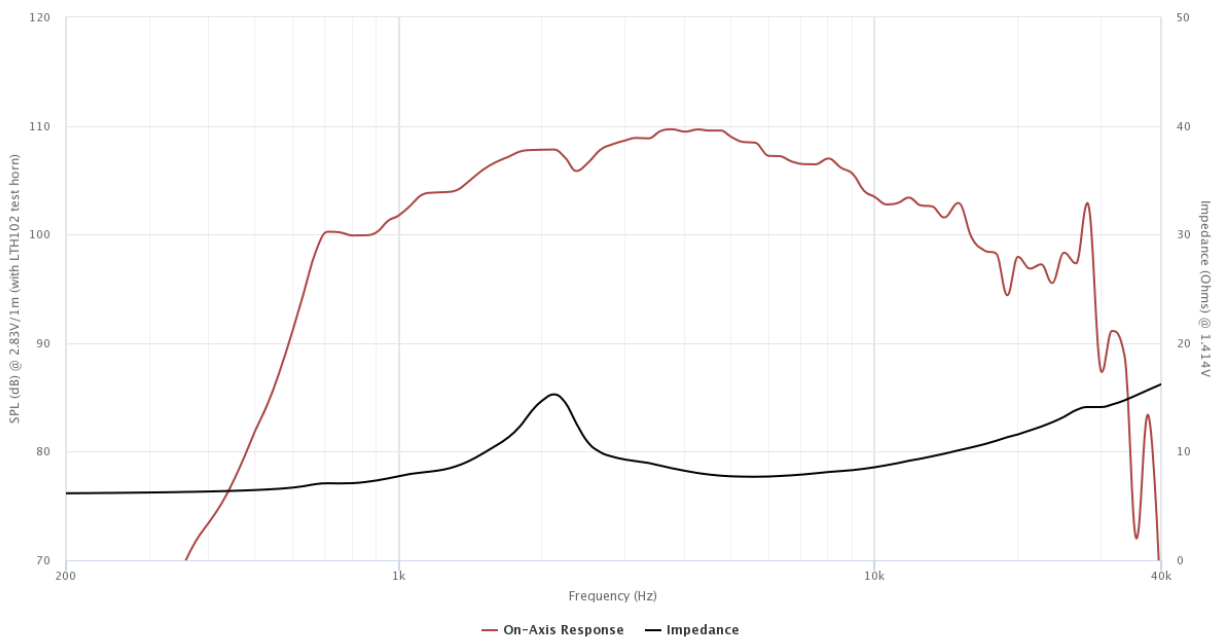
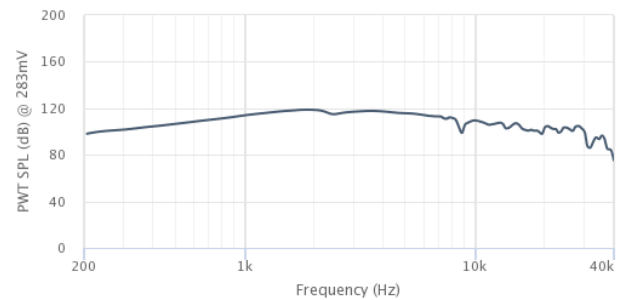
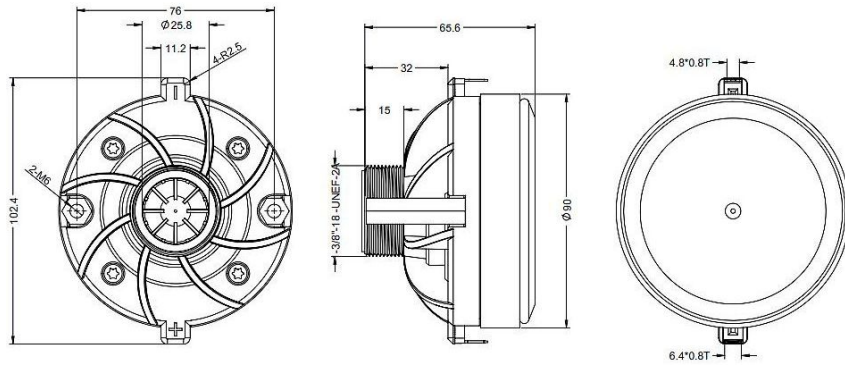
● Ferrite Magnet

● High Sensitivity



SPECIFICATIONS

Exit Diameter	1	in
Rated Impedance	8	Ω
Frequency Range ¹	800 – 20000	Hz
Sensitivity @ 2.83V/1m	108	dB
Sensitivity @ 1W/1m ²	108	dB
Power Rating (AES2-1984)	25	W
Minimum Rec. Xover	1500	Hz
Minimum Impedance	7.7	Ω
Net Weight	1.04	kg
Voice Coil Diameter	35.5	mm
Voice Coil Material	CCA W	
Voice Coil Layers	2	
Former Material	KSV	
Diaphragm Material	PEN	
Surround Material	PEN	
Magnet Type	Ferrite	



Details on this spec sheet are for reference only and should not be used for setting production limits. Specifications and product cosmetics are subject to change without notice. Peerless is a registered trademark of Tympany Enterprises. All measurements conducted in test lab at 25°C ±10°C, 50%RH ±10%. ¹ Specified by Engineering as linear working range of transducer. ² Measured at 2.83V at 1m and normalized to 1W with respect to nominal impedance.