

Model No.: P22WO03-08  
 Product Line: Tymphany

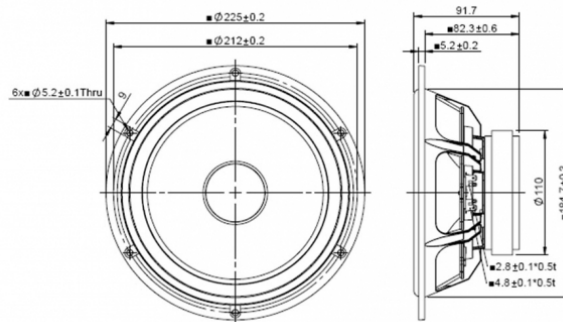
Rev: 1  
 Last Update: 2017-03-03 02:00:02

## Product Description

This is a 8inch 8ohm woofer , with a poly cone and rubber surround, features a ferrite magnet, also with a die-cast aluminum basket. Is designed to be a high performance driver.



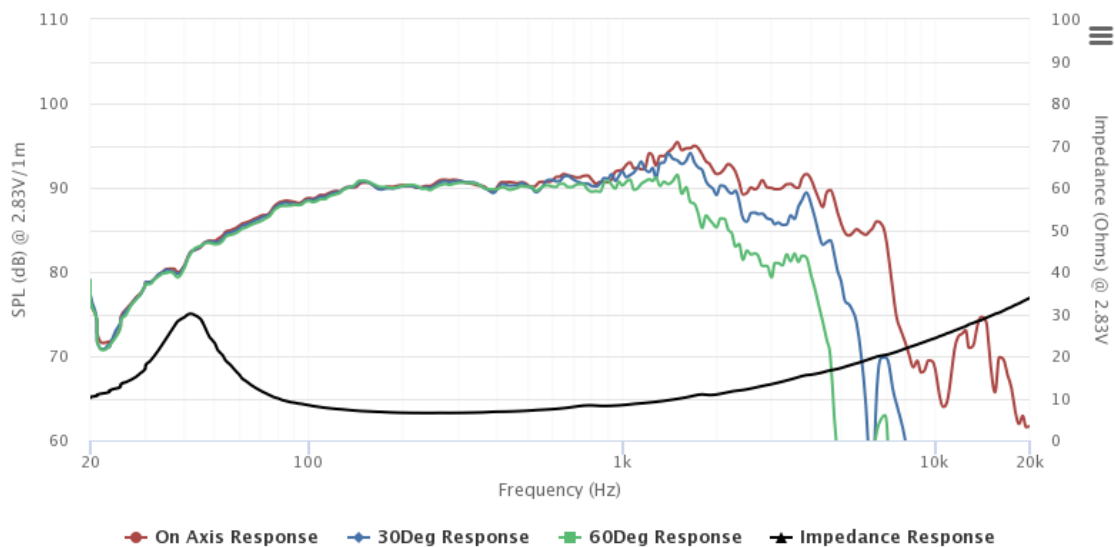
## Mechanical Drawing



## Specifications

DC Resistance	Revc	Ohms	6	5.0%	Energy Bandwidth Product	EBP	(1/Qes)*fs
Minimum Impedance	Zmin	Ohms	6.5	7.5%	Moving Mass	Mms	g
Voice Coil Inductance	Le	mH	0.31		Suspension Compliance	Cms	um/N
Resonant Frequency	Fs	Hz	46.7	15%	Effective Cone diameter	D	cm
Mechanical Q Factor	Qms		2.49		Effective Piston Area	Sd	cm <sup>2</sup>
Electrical Q Factor	Qes		0.64		Effective Volume	Vas	L
Total Q Factor	Qts		0.51		Motor Force Factor	BL	Tm
Ratio Fs/Qts	F	Fs/Qts	91.57		Motor Efficiency Factor	β	(T <sup>2</sup> M <sup>2</sup> )/Ohms
Half Space Sensitivity @2.83V	db@2.83V/1M	dB	90.34	+/- 1.0db	Voice coil former Material	VCfm	ASV
Half Space Sensitivity @1W/1M	db@1W/1M	dB	89.4	+/- 1.0db	Voice coil inner diameter	VCd	mm
Gap Height	Gh	mm	6		Rated Noise Power	P	W
Maximum Linear Excursion	Xmax	mm	2.7		Test Spectrum Bandwidth		40Hz-7KHz
Ferrofluid Type	FF				Driver Size	Inch	8 in
Driver Mass	Kg		1.84				

## Frequency and Impedance Response



Highcharts.com