

Model No: TC10FG00-04
 Product Line:

Rev 1
 Last Update: 2018-06-14 21:08:38

Product Description

This TC family 4 inch 4 ohm full-range driver, with ferrite magnet, paper cone and cloth surround, and steel basket, is designed to be a cost-effective high performance full range driver. The product was designed for Pro column speaker application.

NOTE THIS DRIVER IS NOT APPROVED AND/OR IS NOT IN MASS PRODUCTION YET.

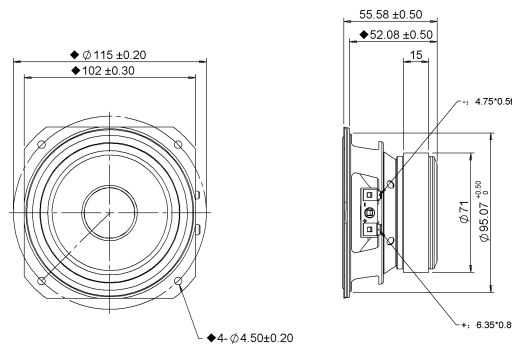
AS SUCH IT MAY BE SUBJECT TO CHANGE.

SPEC IS ONLY FOR INFORMATION.

PLEASE CHECK STATUS WITH THE ENGINEER



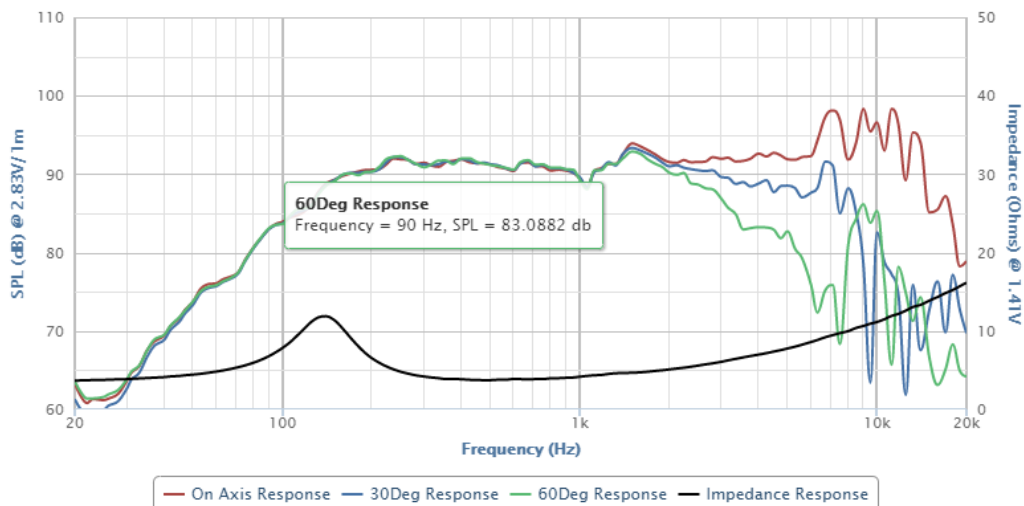
Mechanical Drawing



Specifications

DC Resistance	Revc	Ohms	3.37	5.0%	Energy Bandwidth Product	EBP	(1/Qes)*fs	174.97
Minimum Impedance	Zmin	Ohms	3.73	7.5%	Moving Mass	Mms	g	4.08
Voice Coil Inductance	Le	mH	0.14		Suspension Compliance	Cms	um/N	291
Resonant Frequency	Fs	Hz	146.1	15%	Effective Cone diameter	D	cm	8.85
Mechanical Q Factor	Qms		2.69		Effective Piston Area	Sd	cm ²	61.51
Electrical Q Factor	Qes		0.84		Effective Volume	Vas	L	1.56
Total Q Factor	Qts		0.64		Motor Force Factor	BL	Tm	3.89
Ratio Fs/Qts	F	Fs/Qts	229.36		Motor Efficiency Factor	β	(T*M ²)/Ohms	4.49
Half Space Sensitivity @2.83V	db@2.83V/1M	dB	91.12	+/- 1.0db	Voice coil former Material	VCfm		KSV
Half Space Sensitivity @1W/1M	db@1W/1M	dB	87.8	+/- 1.0db	Voice coil inner diameter	VCd	mm	25.73
Gap Height	Gh	mm	4		Rated Noise Power	P	W	30
Maximum Linear Excursion	Xmax	mm	1.38		Test Spectrum Bandwidth	120Hz-20kHz		
Ferrofluid Type	FF				Transducer Size	Inch	4	
Transducer Mass	Kg	0.6						

Frequency and Impedance Response



Highcharts.com