

Model No: TG9FD10-08
 Product Line: Tymphany

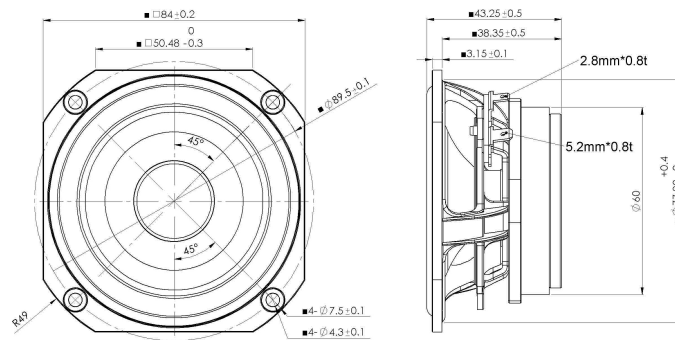
Rev: 2
 Last Update: 2016-11-15 20:46:42

Product Description

This TG family 3.5 inch 8 ohm full-range driver, with ferrite magnet, glass fiber cone, rubber surround, and plastic basket, is designed to be a cost-effective high performance full range driver. The motor contains a copper cap to lower inductance and distortion. The product was designed with television and compact applications in mind.



Mechanical Drawing



Specifications

DC Resistance	Revc	Ohms	6.11	5.0%	Energy Bandwidth Product	EBP	(1/Qes) ^{fs}
Minimum Impedance	Zmin	Ohms	7.16	7.5%	Moving Mass	Mms	g
Voice Coil Inductance	Le	mH	0.11		Suspension Compliance	Cms	um/N
Resonant Frequency	Fs	Hz	105	15%	Effective Cone diameter	D	cm
Mechanical Q Factor	Qms		1.75		Effective Piston Area	Sd	cm ²
Electrical Q Factor	Qes		1.23		Effective Volume	Vas	L
Total Q Factor	Qts		0.72		Motor Force Factor	BL	Tm
Ratio Fs/Qts	F	Fs/Qts	145.43		Motor Efficiency Factor	β	(T*M ²)/Ohms
Half Space Sensitivity @2.83V	db@2.83V/1M	dB	84.43	+/- 1.0db	Voice coil former Material	VCfm	ASV
Half Space Sensitivity @1W/1M	db@1W/1M	dB	83.9	+/- 1.0db	Voice coil inner diameter	VCd	mm
Gap Height	Gh	mm	4		Rated Noise Power	P	W
Maximum Linear Excursion	Xmax	mm	2.6		Test Spectrum Bandwidth		100Hz-20KHz
Ferrofluid Type	FF				Driver Size	Inch	3.5 in
Driver Mass	Kg		0.32				

Frequency and Impedance Response

