

Model No.: XLS-P830452

Rev: 1

Product Line: Peerless

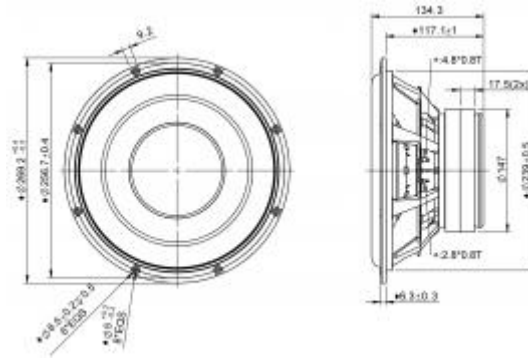
Last Update: 2017-04-25 14:32:09

## Product Description

This 10 inch 4 ohm member of the XLS product family has all the design features suitable for a high performance subwoofer driver. The motor features a double ferrite magnet motor, supporting high excursion, and aluminium shorting rings and pole extenders, lowering and linearizing the inductance of the overhung voice coil. The nomex cone is vented under the dust cap, to reduce air compression. The suspension system features a low-creep rubber surround, and a nomex spider, ensuring long-term reliability under high power conditions. The product also features a rigid cast aluminium basket.



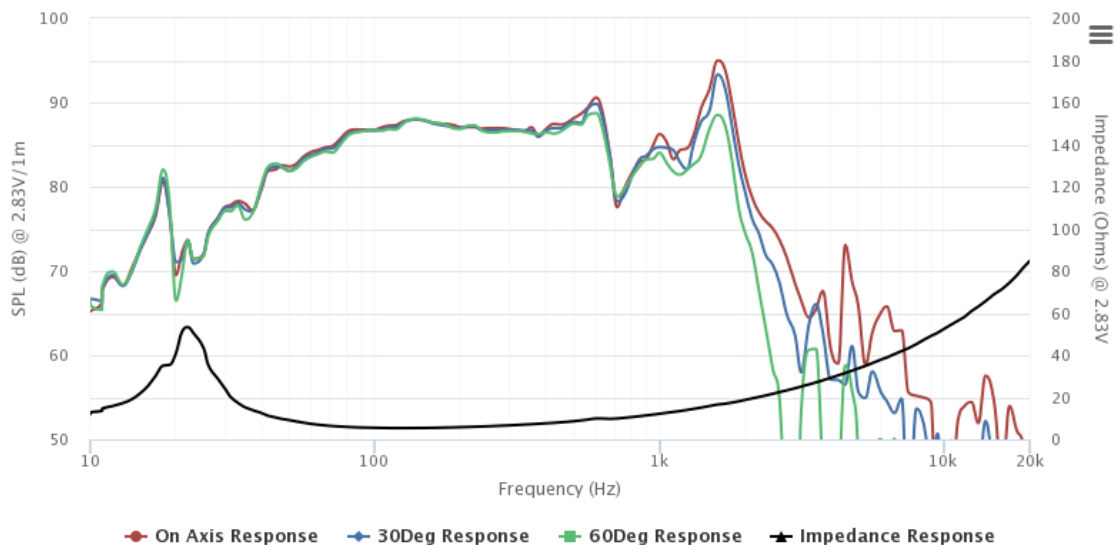
## Mechanical Drawing



## Specifications

DC Resistance	Revc	Ohms	3.5	5.0%	Energy Bandwidth Product	EBP	(1/Qes)*fs
Minimum Impedance	Zmin	Ohms	5.38	7.5%	Moving Mass	Mms	g
Voice Coil Inductance	Le	mH	0.97		Suspension Compliance	Cms	um/N
Resonant Frequency	Fs	Hz	22.6	15%	Effective Cone diameter	D	cm
Mechanical Q Factor	Qms		3.67		Effective Piston Area	Sd	cm^2
Electrical Q Factor	Qes		0.24		Effective Volume	Vas	L
Total Q Factor	Qts		0.22		Motor Force Factor	BL	Tm
Ratio Fs/Qts	F	Fs/Qts	101.78		Motor Efficiency Factor	β	(T*M^2)/Ohms
Half Space Sensitivity @2.83V	db@2.83V/1M	dB	87.64	+/- 1.0db	Voice coil former Material	VCfm	BASV
Half Space Sensitivity @1W/1M	db@1W/1M	dB	85.9	+/- 1.0db	Voice coil inner diameter	VCd	mm
Gap Height	Gh	mm	8		Rated Noise Power	P	W
Maximum Linear Excursion	Xmax	mm	12.5		Test Spectrum Bandwidth		20Hz-2KHz
Ferrofluid Type	FF				Driver Size	Inch	10 in
Driver Mass	Kg		5.91				

## Frequency and Impedance Response



Highcharts.com