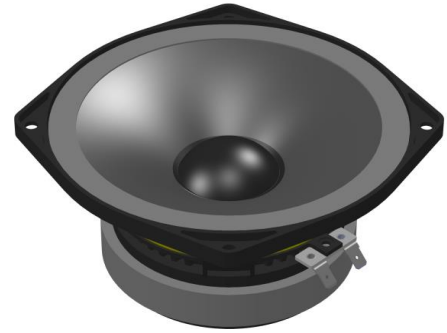




# 1070

# 6.5 inches midrange driver

Nominal Diameter	6.5" / 17 cm
Rated Impedance	16
Sensitivity	94 dB SPL
Power Handling Capacity	130 W AES
SPL max (continuous)	111 dB SPL
Usable frequency range	300 - 6000 Hz
Speaker net mass	2.15 kg



### Architecture highlights :

- Midrange unit with critical damping diaphragm
- Ultra light vented CCAR voice coil
- Natural convection Intercooler System
- Flat foam surround

### Motor architecture

Magnet material	-	Fe
Voice coil diameter	mm	38
Voice coil length	mm	10
Air gap height	mm	6

### Typical characteristics

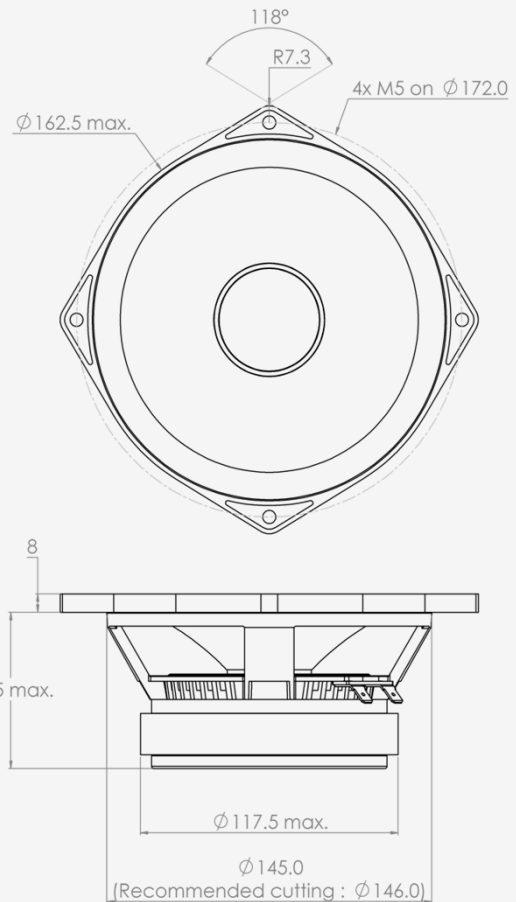
Rated impedance	Z	$\Omega$	16
Half space sensitivity (1W@1m)	-	dB SPL	94.0
Usable freq. range	-	Hz	300 - 6000
Power handling capacity (AES)	-	W	130
Max Sound Pressure Level	SPL <sub>max</sub>	dB SPL	111
Min. impedance modulus	Z <sub>min</sub>	$\Omega$ @Hz	12.9@640
Voice-coil inductance @ 1kHz	Le <sub>1k</sub>	mH	1.219
Voice-coil inductance @ 10kHz	Le <sub>10k</sub>	mH	0.483
BL product	BL	N/A	12.2
Moving mass	Mms	kg	0.0110

### Thiele-Small parameters

Resonance frequency	Fs	Hz	130 ( $\pm$ 25)
DC Resistance	Re	$\Omega$	11.6 ( $\pm$ 1.2)
Mechanical quality factor	Qms	1	5.99
Electrical quality factor	Qes	1	0.70
Total quality factor	Qts	1	0.63
Suspension compliance	Cms	10 <sup>-6</sup> .m/N	140
Effective piston area	Sd	m <sup>2</sup>	0.0150
Equivalent Cas air load	Vas	m <sup>3</sup>	0.0043
Max linear excursion	Xmax	mm	$\pm$ 2.0
Linear displacement volume	Vd	10 <sup>-3</sup> .m <sup>3</sup>	0.0299
Reference efficiency	$\eta_0$	%	1.3
Unity load volume	Vas.Qts <sup>2</sup>	10 <sup>-3</sup> .m <sup>3</sup>	1.7

### Absolute maximum ratings

Short term max. input voltage	Vmax	V	90
Max.excursion before damage	Xdam	mm	$\pm$ 4.0
Ambient operating temperature	Ta	$^{\circ}$ C	-10 to +50
Storage temperature		$^{\circ}$ C	-20 to +70
Environmental withstanding			Humidity proof



### Mounting information

Air volume occupied by the driver	10 <sup>-3</sup> .m <sup>3</sup>	0.46
Speaker net mass	kg	2.15
Baffle cut-out diameter (front mounting)	mm	146.0
Bolt number & Metric diameter	-	4x M5
Bolt circle diameter	mm	172.0
Max overall dimension (on ears)	mm	187.5
Max overall dimension (out of ears)	mm	162.5
Flange height	mm	8.0
Max magnet diameter	mm	117.5
Max depth (front mounting)	mm	68.5
Recommended reflex box	Lts / Hz	3 L sealed
Electrical connection		6.35x0.8 FASTON