



# 2411

Nominal Diameter	8 " / 20 cm
Rated Impedance	16
Sensitivity	94 dB SPL
Power Handling Capacity	250 W AES
SPL max (continuous)	114 dB SPL
Usable frequency range	70 - 3000 Hz
Speaker net mass	4.5 kg

# 8 inches low-mid driver



### Architecture highlights :

- Natural convection Intercooler System
- Double side coated diaphragm (Tropical withstanding)
- High compliance double half-roll Fabric Surround
- #REF!
- #REF!

### Motor architecture

Magnet material	-	Fe
Voice coil diameter	mm	51
Voice coil length	mm	13
Air gap height	mm	8

### Typical characteristics

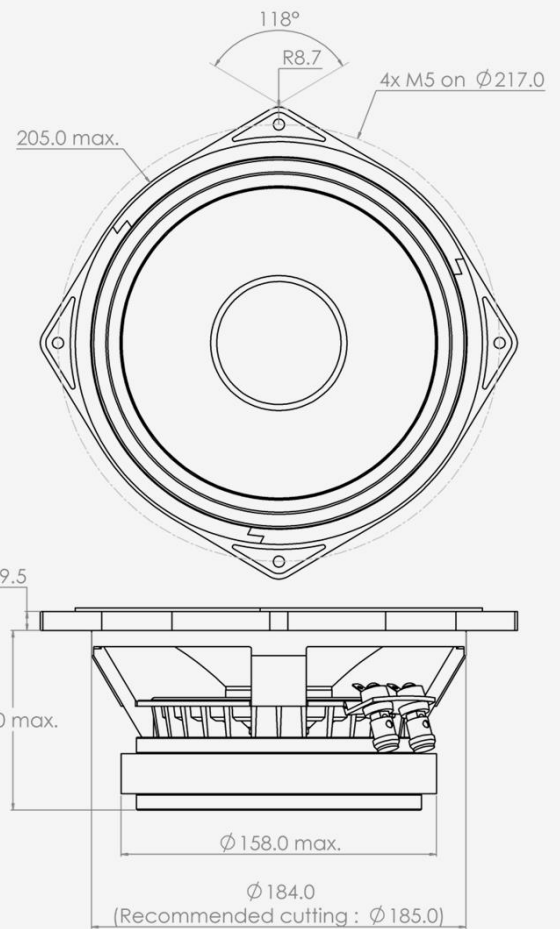
Rated impedance	Z	$\Omega$	16
Half space sensitivity (1W@1m)	-	dB SPL	94.0
Usable freq. range	-	Hz	70 - 3000
Power handling capacity (AES)	-	W	250
Max Sound Pressure Level	SPL <sub>max</sub>	dB SPL	114
Min. impedance modulus	Z <sub>min</sub>	$\Omega$ @Hz	14.1@400
Voice-coil inductance @ 1kHz	Le <sub>1k</sub>	mH	2.475
Voice-coil inductance @ 10kHz	Le <sub>10k</sub>	mH	1.260
BL product	BL	N/A	23.0
Moving mass	Mms	kg	0.028

### Thiele-Small parameters

Resonance frequency	Fs	Hz	69 ( $\pm 10$ )
DC Resistance	Re	$\Omega$	11.6 ( $\pm 1.2$ )
Mechanical quality factor	Qms	1	4.88
Electrical quality factor	Qes	1	0.27
Total quality factor	Qts	1	0.25
Suspension compliance	Cms	$10^{-6} \cdot m/N$	190
Effective piston area	Sd	m <sup>2</sup>	0.0219
Equivalent Cas air load	Vas	m <sup>3</sup>	0.0126
Max linear excursion	Xmax	mm	$\pm 4.5$
Linear displacement volume	Vd	$10^{-3} \cdot m^3$	0.0986
Reference efficiency	$\eta_0$	%	1.5
Unity load volume	Vas.Qts <sup>2</sup>	$10^{-3} \cdot m^3$	0.8

### Absolute maximum ratings

Short term max. input voltage	Vmax	V	125
Max.excursion before damage	Xdam	mm	$\pm 10.0$
Ambient operating temperature	Ta	$^{\circ}C$	-10 to +50
Storage temperature		$^{\circ}C$	-20 to +70
Environmental withstanding			Tropical



### Mounting information

Air volume occupied by the driver	$10^{-3} \cdot m^3$	1.00
Speaker net mass	kg	4.5
Baffle cut-out diameter (front mounting)	mm	185.0
Bolt number & Metric diameter	-	4x M5
Bolt circle diameter	mm	217.0
Max overall dimension (on ears)	mm	234.0
Max overall dimension (out of ears)	mm	205.0
Flange height	mm	9.5
Max magnet diameter	mm	158.0
Max depth (front mounting)	mm	90.0
Recommended reflex box	Lts / Hz	10L / 80Hz
Electrical connection		$\varnothing 4$ mm Push buttons

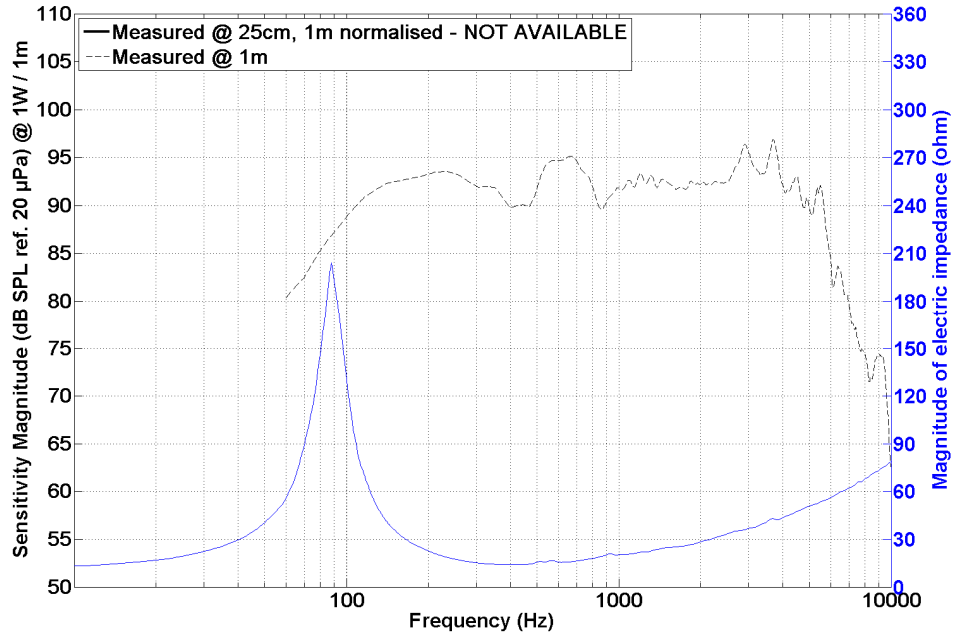


2411

8 inches low-mid driver

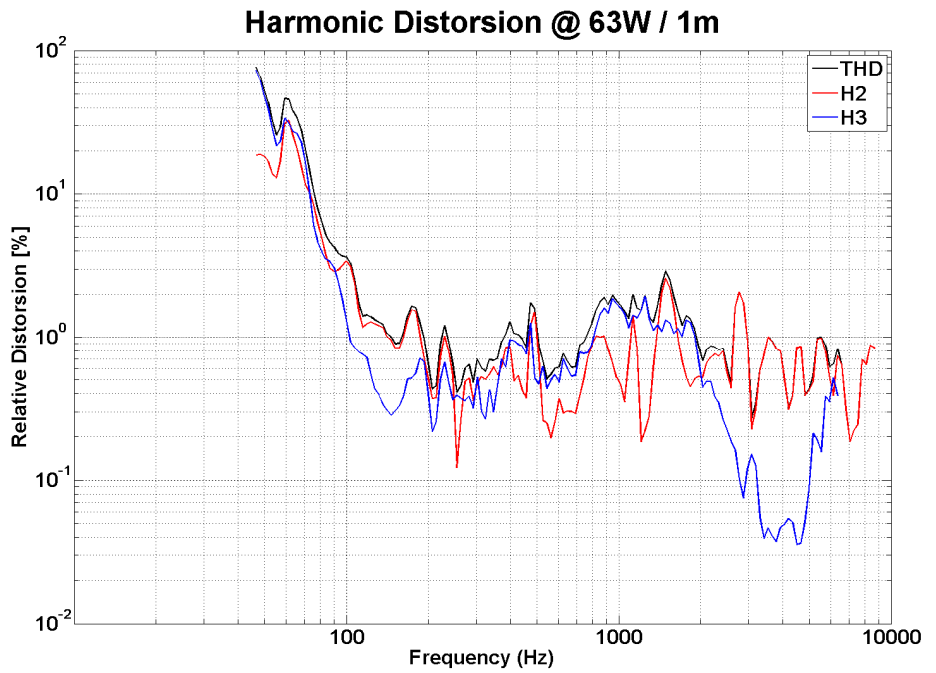
SPL curves measured on CEI standard baffle :

- . at 25 cm, normalised 1 m
- . at 1 m for reference
- . Graph amplitude = 60 dB (PHL Audio standard)



HD curve measured on CEI standard baffle :

- . at 1 meter
- . at power =  $P_{AES} / 4$
- . Graph amplitude 0.01 % to 100 % (PHL Audio standard for  $P_{AES}/4$ )



Non linear curves measured thanks to Klippel software and hardware, in free air

