



5021M

Nominal Diameter	15" / 38 cm
Rated Impedance	8
Sensitivity	94.5 dB SPL
Power Handling Capacity	500 W AES
SPL max (continuous)	117 dB SPL
Usable frequency range	30 - 2000 Hz
Speaker net mass	7.7 kg

15" bass driver with added moving mass



Architecture highlights :

- Natural convection Intercooling System
- Both sides coated Curvilinear cone (Tropical withstanding)
- High compliance double half-roll fabric surround
- Added mass (45 g) for low Fs
- Ultra light injection molded basket

Motor architecture

Magnet material	-	Fe
Voice coil diameter	mm	77
Voice coil length	mm	20
Air gap height	mm	10

Typical characteristics

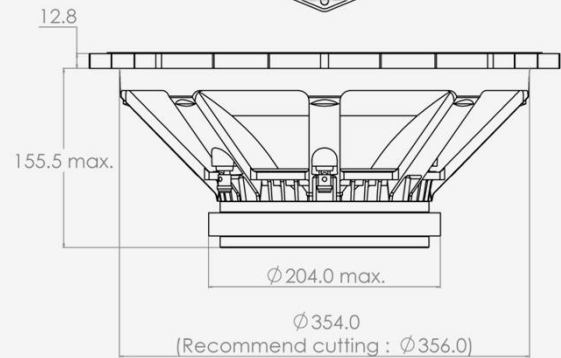
Rated impedance	Z	Ω	8
Half space sensitivity (1W@1m)	-	dB SPL	94.5
Usable freq. range	-	Hz	30 - 2000
Power handling capacity (AES)	-	W	500
Max Sound Pressure Level	SPL _{max}	dB SPL	117
Min. impedance modulus	Z _{min}	Ω @Hz	6.7@180
Voice-coil inductance @ 1kHz	Le _{1k}	mH	1.653
Voice-coil inductance @ 10kHz	Le _{10k}	mH	0.695
BL product	BL	N/A	24.0
Moving mass	Mms	kg	0.1650

Thiele-Small parameters

Resonance frequency	Fs	Hz	32 (\pm 5)
DC Resistance	Re	Ω	5.6 (\pm 0.6)
Mechanical quality factor	Qms	1	4.15
Electrical quality factor	Qes	1	0.32
Total quality factor	Qts	1	0.30
Suspension compliance	Cms	10^{-6} .m/N	150
Effective piston area	Sd	m ²	0.0892
Equivalent Cas air load	Vas	m ³	0.1690
Max linear excursion	Xmax	mm	\pm 7.0
Linear displacement volume	Vd	10^{-3} .m ³	0.6244
Reference efficiency	η_0	%	1.7
Unity load volume	Vas.Qts ²	10^{-3} .m ³	15.1

Absolute maximum ratings

Short term max. input voltage	Vmax	V	125
Max.excursion before damage	Xdam	mm	\pm 16.0
Ambient operating temperature	Ta	$^{\circ}$ C	-10 to +50
Storage temperature		$^{\circ}$ C	-20 to +70
Environmental withstanding			tropical



Mounting information

Air volume occupied by the driver	10^{-3} .m ³	4.40
Speaker net mass	kg	7.70
Baffle cut-out diameter (front mounting)	mm	356.0
Bolt number & Metric diameter	-	8x M6
Bolt circle diameter	mm	370 & 388
Max overall dimension (on ears)	mm	406.5
Max overall dimension (out of ears)	mm	380.5
Flange height	mm	13.0
Max magnet diameter	mm	204.0
Max depth (front mounting)	mm	155.5
Recommended reflex box	Lts / Hz	110L / 32Hz
Electrical connection		\varnothing 4 mm Push buttons