



## 5510MNdS-TLHP

Nominal Diameter	15" / 38 cm
Rated Impedance	8
Sensitivity	95.5 dB SPL
Power Handling Capacity	400 W AES
SPL max (continuous)	119 dB SPL
Usable frequency range	30 - 1500 Hz
Speaker net mass	5.1 kg

## 15 inches bass driver



### Architecture highlights :

- Uniquely balance architecture to ensure high SPL / Low Fs / desired Qts
- Very high compliance surround
- Ultra light injection molded Magnesium basket
- Neodymium magnet system with symmetric BL(x) and Le(x) characteristics
- Natural convection Intercooling system for noiseless sound reproduction
- Front side coated diaphragm

### Motor architecture

Magnet material	-	Nd
Voice coil diameter	mm	77
Voice coil length	mm	24
Air gap height	mm	12

### Typical characteristics

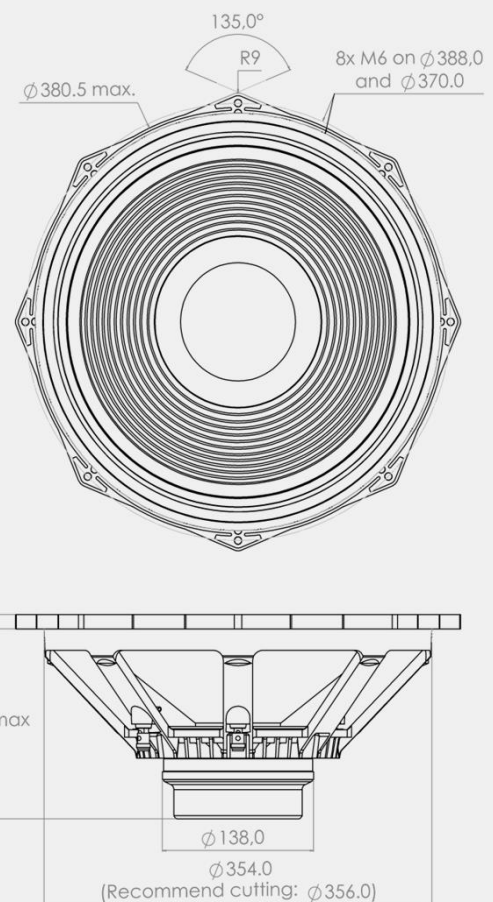
Rated impedance	Z	$\Omega$	8
Half space sensitivity (1W@1m)	-	dB SPL	95.5
Usable freq. range	-	Hz	30 - 1500
Power handling capacity (AES)	-	W	400
Max Sound Pressure Level	SPL <sub>max</sub>	dB SPL	119
Min. impedance modulus	Z <sub>min</sub>	$\Omega$ @Hz	7.7@200
Voice-coil inductance @ 1kHz	Le <sub>1k</sub>	mH	1.333
Voice-coil inductance @ 10kHz	Le <sub>10k</sub>	mH	0.425
BL product	BL	N/A	19.7
Moving mass	Mms	kg	0.1070

### Thiele-Small parameters

Resonance frequency	Fs	Hz	30 ( $\pm 6$ )
DC Resistance	Re	$\Omega$	6.4 ( $\pm 0.7$ )
Mechanical quality factor	Qms	1	6.76
Electrical quality factor	Qes	1	0.34
Total quality factor	Qts	1	0.32
Suspension compliance	Cms	$10^{-6}$ .m/N	260
Effective piston area	Sd	m <sup>2</sup>	0.0892
Equivalent Cas air load	Vas	m <sup>3</sup>	0.2930
Max linear excursion	Xmax	mm	$\pm 9.0$
Linear displacement volume	Vd	$10^{-3}$ .m <sup>3</sup>	0.8028
Reference efficiency	$\eta_0$	%	2.3
Unity load volume	Vas.Qts <sup>2</sup>	$10^{-3}$ .m <sup>3</sup>	30.7

### Absolute maximum ratings

Short term max. input voltage	Vmax	V	125
Max.excursion before damage	Xdam	mm	$\pm 17.0$
Ambient operating temperature	Ta	$^{\circ}$ C	-10 to +50
Storage temperature		$^{\circ}$ C	-20 to +70
Environmental withstanding			Humidity proof



### Mounting information

Air volume occupied by the driver	$10^{-3}$ .m <sup>3</sup>	3.90
Speaker net mass	kg	5.10
Baffle cut-out diameter (front mounting)	mm	355.0
Bolt number & Metric diameter	-	8x M6
Bolt circle diameter	mm	370 and 388
Max overall dimension (on ears)	mm	406.5
Max overall dimension (out of ears)	mm	380.5
Flange height	mm	13.0
Max magnet diameter	mm	138.0
Max depth (front mounting)	mm	169.0
Recommended reflex box	Lts / Hz	-
Electrical connection		$\varnothing 4$ mm Push buttons

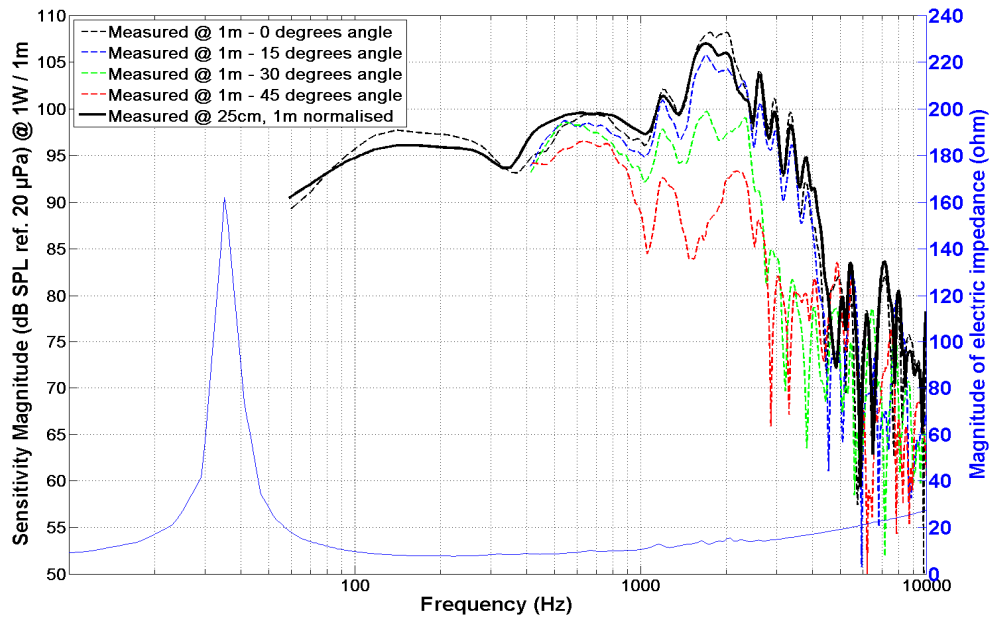


# 5510MNdS-TLHP

# 15 inches bass driver

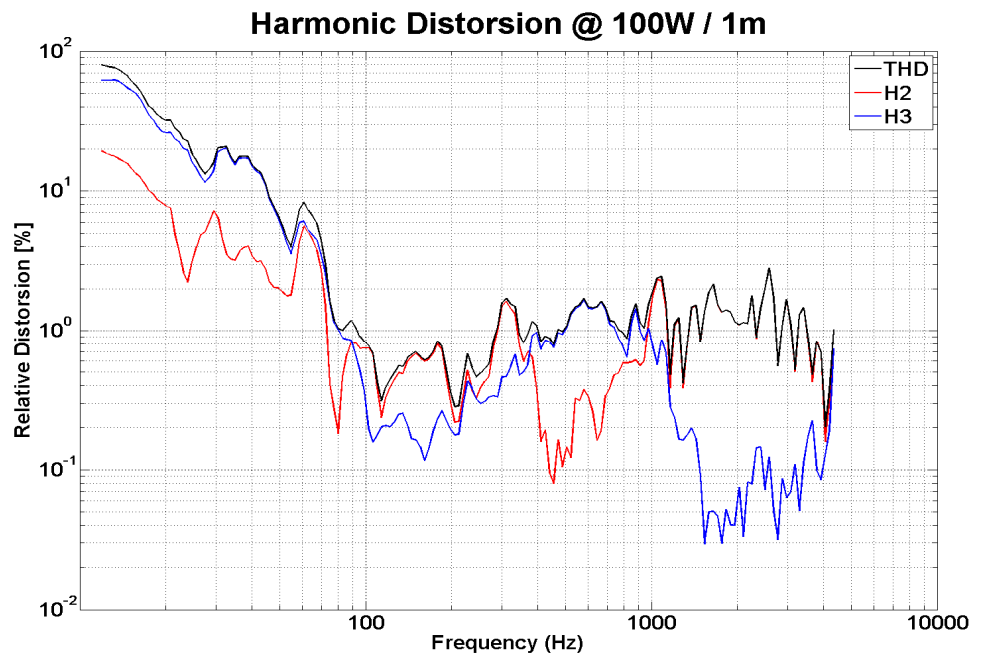
SPL curves measured on CEI standard baffle :

- . at 25 cm, normalised 1 m
- . at 1 m for reference



HD curves measured on CEI standard baffle :

- . at 1 meter
- . at power =  $P_{AES} / 4$



Non linear curves measured thanks to Klippel software and hardware, in free air

