



6121M-20

Nominal Diameter	15" / 38 cm
Rated Impedance	8 Ω
Sensitivity	96,5 dB SPL
Power Handling Capacity	800 W AES
SPL max (continuous)	122 dB SPL
Usable frequency range	35 - 1000 Hz
Speaker net mass	9,2 kg

15" bass driver / 2" coaxial



Architecture highlights :

- Ultra light injection molded Magnesium basket
- Natural convection Intercooling system for noiseless sound reproduction
- Dual side coating diaphragm for excellent sound reproduction
- High compliance double half-roll fabric surround
- Coaxial apparatus "-20" with 2x M6 on Ø 101.6 mm
(Max diameter for HF driver = 168.0 mm)

Motor architecture

Magnet material	-	Fe
Voice coil diameter	mm	101
Voice coil length	mm	22
Air gap height	mm	10

Typical characteristics

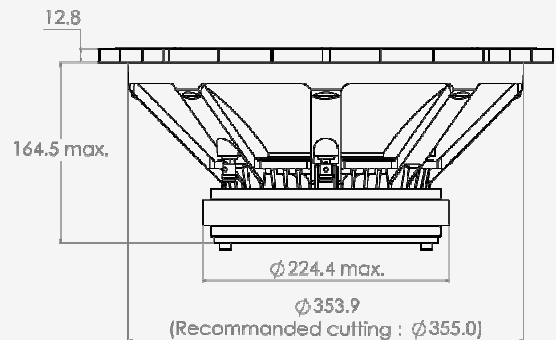
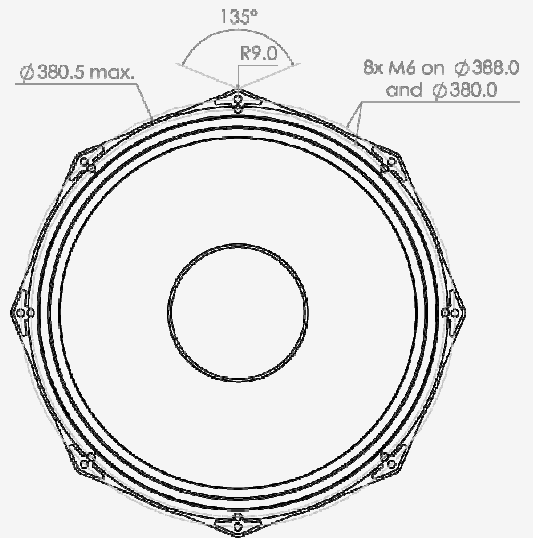
Rated impedance	Z	Ω	8
Half space sensitivity (1W@1m)	-	dB SPL	96,5
Usable freq. range	-	Hz	35 - 1000
Power handling capacity (AES)	-	W	800
Max Sound Pressure Level	SPL _{max}	dB SPL	122
Min. impedance modulus	Z _{min}	Ω@Hz	6.9@220
Voice-coil inductance @ 1kHz	Le _{1k}	mH	2,059
Voice-coil inductance @ 10kHz	Le _{10k}	mH	0,930
BL product	BL	N/A	29,0
Moving mass	Mms	kg	0,1550

Thiele-Small parameters

Resonance frequency	Fs	Hz	39 (±5)
DC Resistance	Re	Ω	5.6 (±0.6)
Mechanical quality factor	Qms	1	4,22
Electrical quality factor	Qes	1	0,25
Total quality factor	Qts	1	0,24
Suspension compliance	Cms	10 ⁻⁶ .m/N	110
Effective piston area	Sd	m ²	0,0892
Equivalent Cas air load	Vas	m ³	0,1197
Max linear excursion	Xmax	mm	± 8,5
Linear displacement volume	Vd	10 ⁻³ .m ³	0,7582
Reference efficiency	η ₀	%	2,7
Unity load volume	Vas.Qts ²	10 ⁻³ .m ³	6,8

Absolute maximum ratings

Short term max. input voltage	Vmax	V	160
Max. excursion before damage	Xdam	mm	± 14,0
Ambient operating temperature	Ta	°C	-10 to +50
Storage temperature		°C	-20 to +70
Environmental withstanding			Tropical



Mounting information

Air volume occupied by the driver	10 ⁻³ .m ³	5,00
Speaker net mass	kg	9,20
Baffle cut-out diameter (front mounting)	mm	355,0
Bolt number & Metric diameter	-	8x M6
Bolt circle diameter	mm	370 and 388
Max overall dimension (on ears)	mm	406,5
Max overall dimension (out of ears)	mm	380,5
Flange height	mm	13,0
Max magnet diameter	mm	138,0
Max depth (front mounting)	mm	175,0
Recommended reflex box	Lts / Hz	65L / 42Hz
Electrical connection		Ø4 mm Push buttons