



930Nd

Nominal Diameter	5 " / 13 cm
Rated Impedance	8
Sensitivity	92 dB SPL
Power Handling Capacity	100 W AES
SPL max (continuous)	109 dB SPL
Usable frequency range	110 - 4000 Hz
Speaker net mass	0.98 kg

5 inches low-mid driver



Architecture highlights :

- Noiseless natural convection Intercooling System
- Neodymium magnet system with symmetric BL(x) and Le(x)
- High excursion fabric surround
- Lightweight basket

Motor architecture

Magnet material	-	Nd
Voice coil diameter	mm	38
Voice coil length	mm	12
Air gap height	mm	6

Typical characteristics

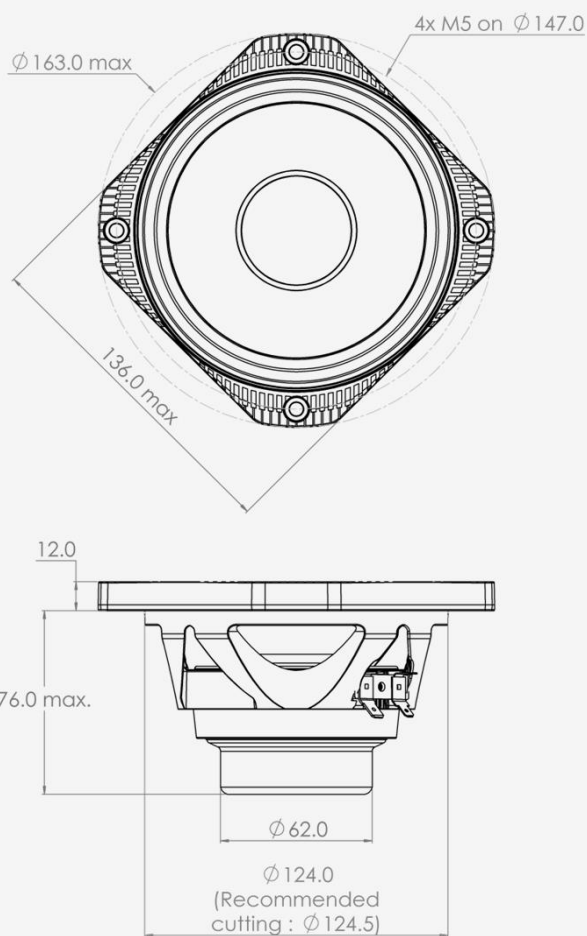
Rated impedance	Z	Ω	8
Half space sensitivity (1W@1m)	-	dB SPL	92.0
Usable freq. range	-	Hz	110 - 4000
Power handling capacity (AES)	-	W	100
Max Sound Pressure Level	SPL _{max}	dB SPL	109
Min. impedance modulus	Z _{min}	Ω @Hz	6.4@650
Voice-coil inductance @ 1kHz	Le _{1k}	mH	0.590
Voice-coil inductance @ 10kHz	Le _{10k}	mH	0.233
BL product	BL	N/A	8.8
Moving mass	Mms	kg	0.0092

Thiele-Small parameters

Resonance frequency	Fs	Hz	129 (\pm 20)
DC Resistance	Re	Ω	5.7 (\pm 0.6)
Mechanical quality factor	Qms	1	3.93
Electrical quality factor	Qes	1	0.55
Total quality factor	Qts	1	0.48
Suspension compliance	Cms	10 ⁻⁶ .m/N	170
Effective piston area	Sd	m ²	0.0106
Equivalent Cas air load	Vas	m ³	0.0026
Max linear excursion	Xmax	mm	\pm 4.5
Linear displacement volume	Vd	10 ⁻³ .m ³	0.0476
Reference efficiency	η_0	%	1.0
Unity load volume	Vas.Qts ²	10 ⁻³ .m ³	0.6

Absolute maximum ratings

Short term max. input voltage	Vmax	V	55
Max.excursion before damage	Xdam	mm	\pm 9.0
Ambient operating temperature	Ta	$^{\circ}$ C	-10 to +50
Storage temperature		$^{\circ}$ C	-20 to +70
Environmental withstanding			Tropical



Mounting information

Air volume occupied by the driver	10 ⁻³ .m ³	0.18
Speaker net mass	kg	0.98
Baffle cut-out diameter (front mounting)	mm	124.5
Bolt number & Metric diameter	-	4x M5
Bolt circle diameter	mm	147.0
Max overall dimension (on ears)	mm	163.0
Max overall dimension (out of ears)	mm	136.0
Flange height	mm	12.0
Max magnet diameter	mm	-
Max depth (front mounting)	mm	76.0
Recommended reflex box	Lts / Hz	-
Electrical connection		6.35x0.8 + 4.8x0.5 FAS

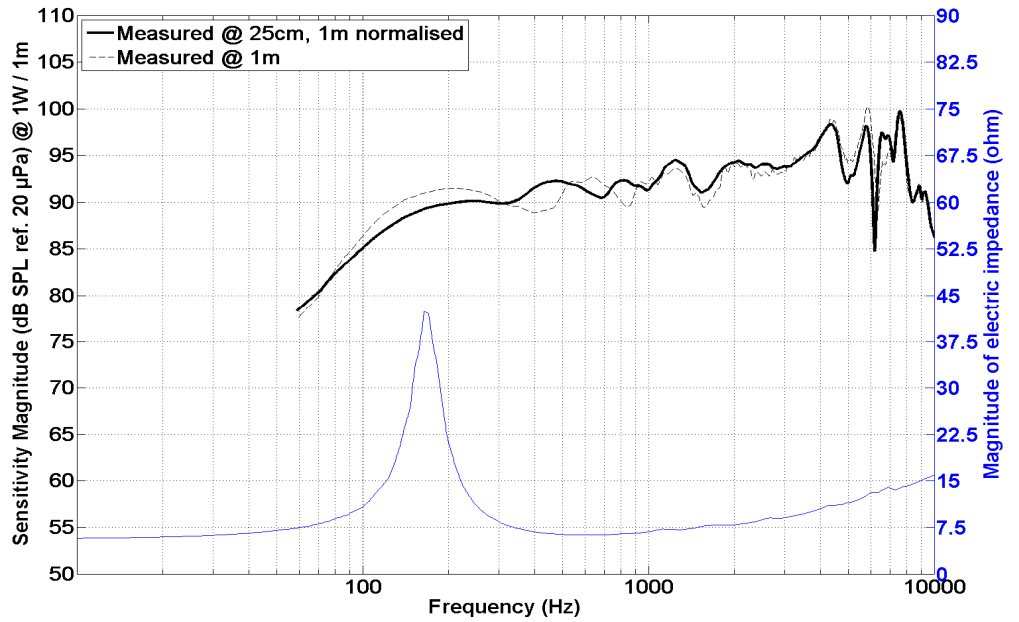


930Nd

5 inches low-mid driver

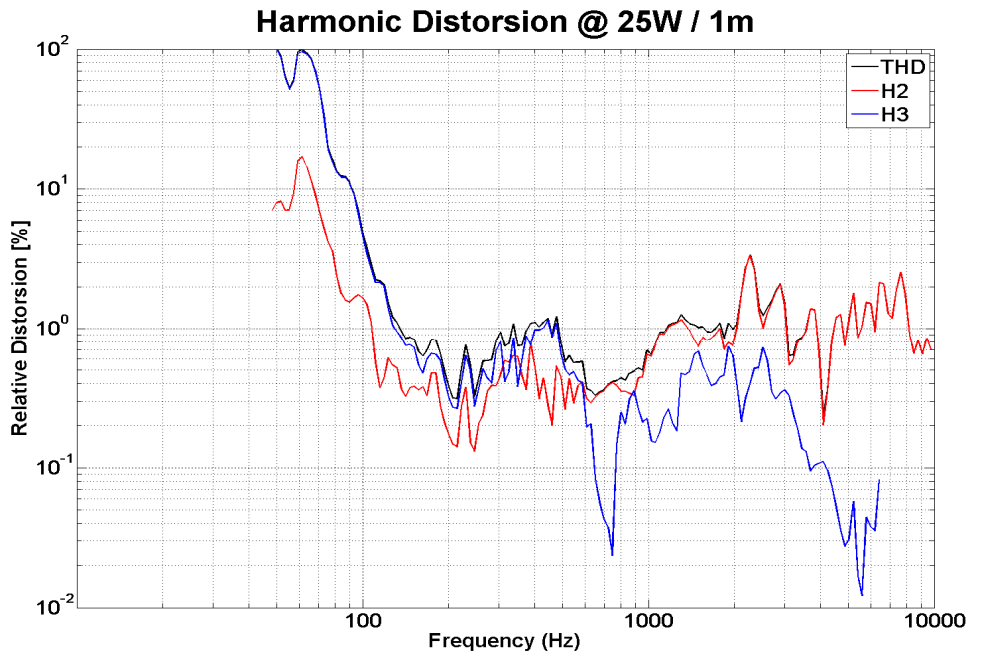
SPL curves measured on CEI standard baffle :

- . at 25 cm, normalised 1 m
- . at 1 m for reference
- . Graph amplitude = 60 dB (PHL Audio standard)



HD curve measured on CEI standard baffle :

- . at 1 meter
- . at power = $P_{AES} / 4$
- . Graph amplitude 0.01 % to 100 % (PHL Audio standard for $P_{AES}/4$)



Non linear curves measured thanks to Klippel software and hardware, in free air

