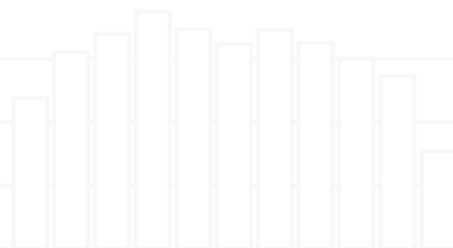


The Radian 2216 15" low frequency transducer produces extremely high levels of bass energy. This woofer is designed as an extended low frequency device, used as a subwoofer or general purpose LF transducer. Notably this transducer will perform very well in a 4.5 cubic foot enclosure.

Integral to this design is a composite ribbed cone, reinforced with Kevlar®. The voice coil is edge wound aluminum for better transient response, however our advanced adhesives give it the power handling capacity of more conventional copper voice coils. With 600 watts RMS power handling and a high-energy magnetic structure with a venturi cross section to increase ventilation efficiency, the output sensitivity is 96 dB (one watt, one meter) with a continuous sound pressure level of 124 dB.



- ✓ **LOW DISTORTION**
- ✓ **4" VOICE COIL**
- ✓ **KEVLAR® IMPREGNATED CONE**
- ✓ **VENTURI-VENTED COOLING**
- ✓ **600 WATTS RMS**
- ✓ **CAST ALUMINUM FRAME**
- ✓ **HIGH SENSITIVITY**



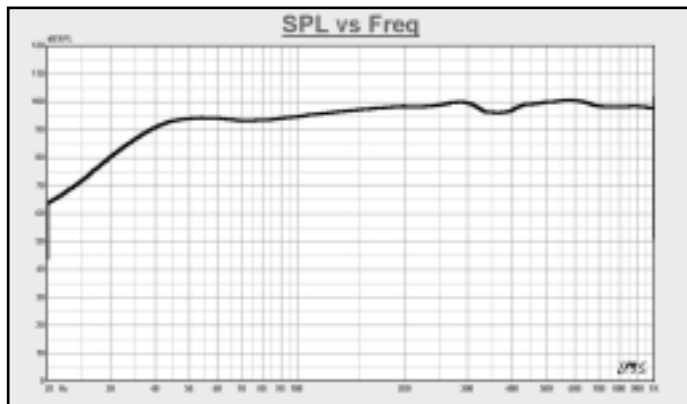
15" EXTENDED LOW FREQUENCY LOUDSPEAKER

SPECIFICATIONS

FREQUENCY RESPONSE	45 Hz – 3.5 kHz
MAXIMUM POWER HANDLING*	600 watts RMS
SENSITIVITY**	96 dB
RECOMMENDED CROSSOVER	90 – 300 Hz
NOMINAL IMPEDANCE	8 ohms
VOICE COIL DIAMETER	4.0" (101.6mm)
RECOMMENDED ENCLOSURE	4 ft. ³ – 6 ft. ³ (113 – 170 liters)
WOOFER CONE MATERIAL	Kevlar® Reinforced Paper
VOICE COIL MATERIAL	Edgewood Aluminum
BASKET MATERIAL	Cast Aluminum
OVERALL DIAMETER	15.25" (387.325mm)
MOUNTING BOLT CIRCLE	14.56" (369.87mm)
CUT-OUT DIAMETER	14.00" (355.0mm)
OVERALL DEPTH	6.125" (155.56mm)
INPUT CONNECTORS	Pushbutton Terminals
WEIGHT	25.04 lbs. (11.36 kg)
THIELE/SMALL PARAMETERS:	
QTS	0.3747
QMS	2.949
QES	0.4292
VAS	6.5 (ft. ³) 183.888 (liters)
Fs (Hz)	38.7
XMAX (IN)	0.187
RE (Ω)	6.2
SD (IN ²)	128.9 (0.0832m ²)

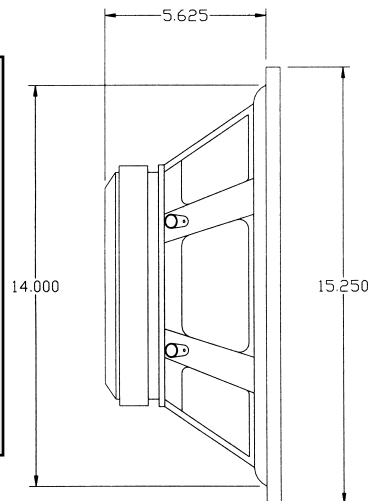
*EIA Standard RS-426A

**One watt at one meter (averaged 100 Hz – 800 Hz)



Amplitude vs. Frequency Response of the Radian 2216 as measured on axis with a one watt (2.83 Vrms), swept sine wave input at 8 ohms, in a 4.5 (ft.³) vented enclosure tuned to 46 Hz.

Specifications subject to change without notice.



LIMITED WARRANTY

Radian Audio Engineering, Inc. products, when sold domestically, are guaranteed for a period of five (5) years from the date of original purchase against malfunctions due to defects in workmanship. If such a malfunction occurs, the product will be repaired or replaced at our option, without charge, if delivered prepaid to the factory. Product will be returned prepaid via ground transport. This warranty does not extend to damage resulting from improper installation, misuse, neglect or abuse. The warranty does not apply to external finish or appearance. The warranty does not apply to burnt voice coils. In no event shall Radian Audio Engineering, Inc. be liable for incidental or consequential damages including, without limitation, injury to persons or property or loss of use.

600 N. Batavia Street
 Orange, CA 92868
 Phone: (714) 288-8900
 Fax: (714) 288-1133
 E-mail: radian@radianaudio.com
 Web: www.radianaudio.com