

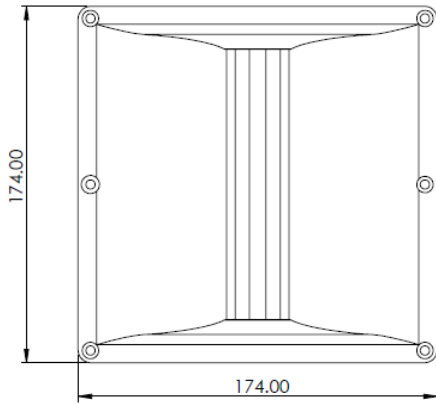
# LT6WG HF wave guide



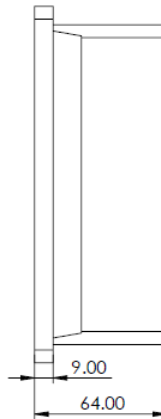
- constant directivity design in horizontal plane
- minimized boundary diffraction effects
- structurally reinforced, high strength polymer with excellent dimensional stability
- rotatable at 90 degrees

## SPECIFICATIONS

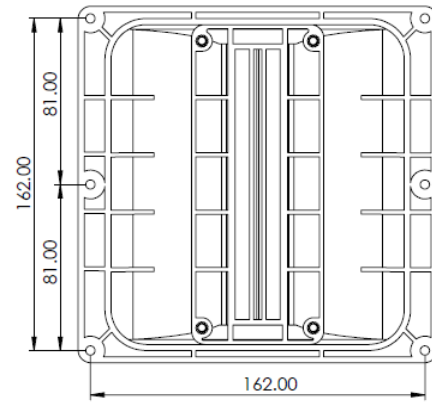
Overall size	174x174x64 mm (6.85x6.85x2.52 in)
Material	composite polymer
Horizontal coverage	90 °
Vertical coverage	30 °
Flange thickness	9.0 mm (0.35 in)
Net weight	238 g (0.52 lbs.)



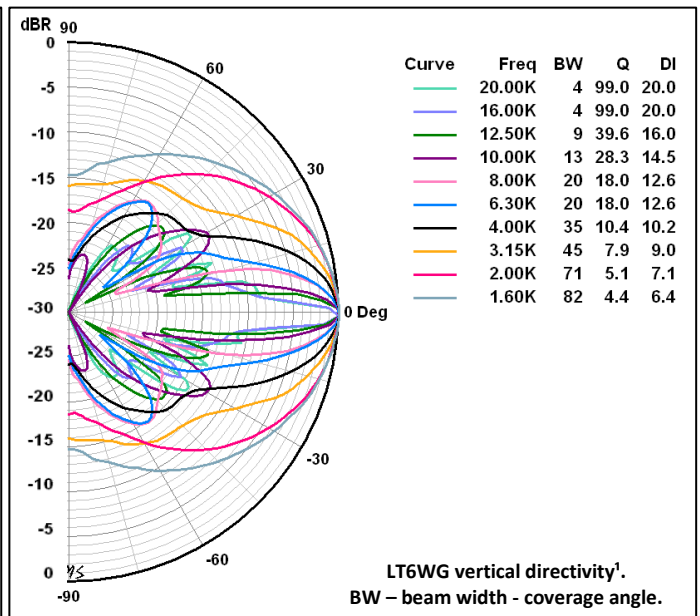
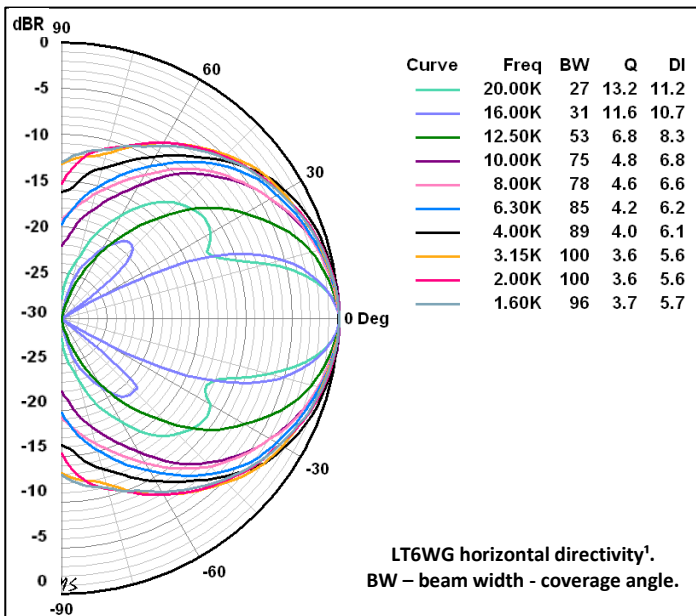
FRONT VIEW



SIDE VIEW



BACK VIEW



1. Measured and defined for Radian LT6 planar ribbon driver. Horizontal coverage angle defined at -6dB, averaged in 1/3 octave bands within 1.6-12.5 kHz range. Vertical coverage angle averaged within 1.6 -10 kHz range.