

CDX495

DRIVER



TECHNICAL SPECIFICATIONS

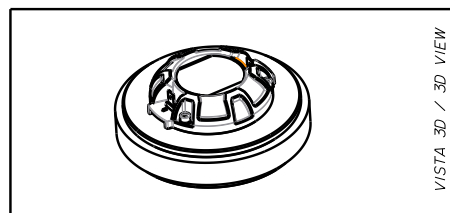
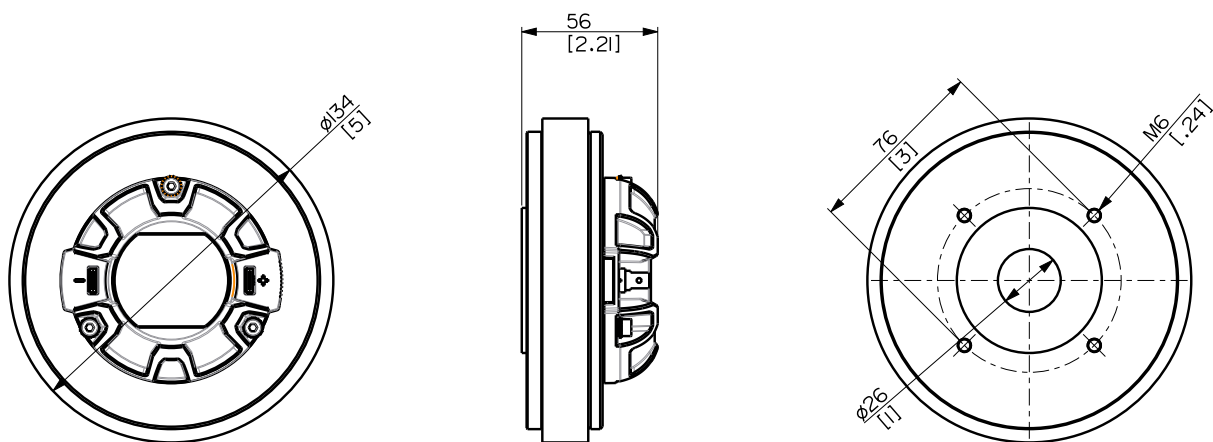
General specifications	Exit Throat Diameter:	1.0 inch / 25 mm
	Related Impedance:	8 ohm
	Program Power (watt):	140 W
	Power handling capacity (watt):	70 W
	Sensitivity:	109 dB
	Frequency range:	1200 - 20000 Hz
	Suspension Design:	Flat
	Minimum Impedance (ohm):	6.50 ohm
	Voice Coil Diameter:	1.75 inch / 44 mm
	Voice Coil Former Design:	Straight - Kapton
	Number of layers:	1
	Kind of layers:	outside
	Flux Density:	1.8 T
	Phase Plug Design:	3 slot
Thiele - small parameters	BI factor (BI) (T x m):	7.50 T x m
Mounting information	Overall diameter:	134 mm / 5.28 inches
	Overall height:	56 mm / 2.2 inches
	Mounting:	4 x 6 mm threaded holes at 90°
Standard compliance	Safety agency:	CE compliant
Size	Weight:	2.46 kg / 5.42 lbs
Shipping information	Package Height:	68 mm / 2.68 inches
	Package Width:	153 mm / 6.02 inches
	Package Depth:	155 mm / 6.1 inches
	Package Weight:	2.63 kg / 5.8 lbs

PART NUMBER

- **15100025**

CDX495

8ohm



VISTA 3D / 3D VIEW

	C.DRIVER CDX495 8 OHM	REV. A
--	-----------------------	-----------

