

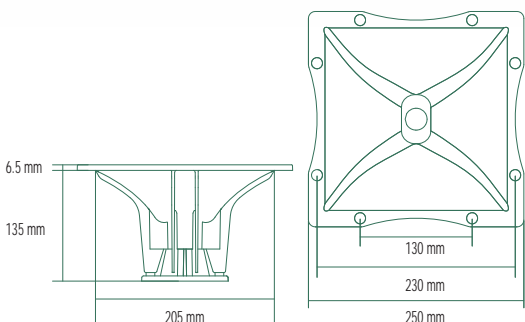
# HORN HF94

Professional High Frequency Horn

PART NUMBER 13133047

## Features

- 1-inch/1.4 inch Throat Adaptor
- 90° x 40° Constant Directivity Coverage
- Loading down to 500 Hz
- Thick Aluminum Body for best heat dissipation in conjunction to Neodimium Compression Drivers
- Perfectly Controlled Dispersion

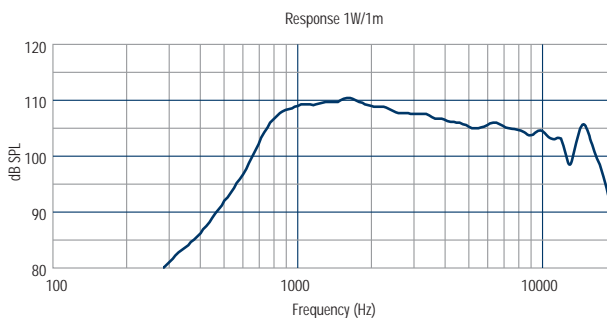


## General Specifications

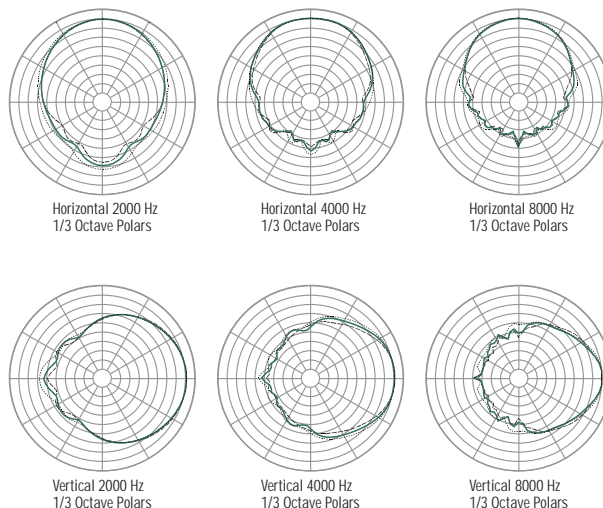
|                         |                   |         |
|-------------------------|-------------------|---------|
| Throat Diameter         | 25.4-36 / 1.0-1.4 | mm/inch |
| Nominal Coverage (-6dB) | 90x40             |         |
| Cut-off Frequency       | 500               | Hz      |
| Material                | Aluminum          |         |

## Mounting Information

|                           |         |    |
|---------------------------|---------|----|
| Overall Dimensions        | 250x250 | mm |
| Baffle Cut-out Dimensions | 200x200 | mm |
| Total Depth               | 150     | mm |
| Driver Mounting           |         |    |
| 4 x 6.5 mm holes          | 101/76  | mm |
| Net Weight                | 1.3     | kg |
| Shipping Weight           | 1.5     | kg |



Frequency response curve of the horn measured on axis at distance of 1 meter with 1 watt signal, in an anechoic environment, with ND2530-T3 compression driver.



500 20000

20 100 1.000 10.000 20.000