

IPS 2700

2 X 1100 W CLASS H PROFESSIONAL POWER AMPLIFIER

DESCRIPTION

IPS Series is a range of two-way professional amplifiers that combines high quality performance and reliability with the latest power amplification technologies. This high value power-to-cost designs offer, in compact lightweight 2 rack unit space, the sound quality and the durability of traditional class AB and class H designs with the innovation of the latest power devices available.

IPS 2700 is a 2 channel power amplifier that delivers up to 2 x 1100 W RMS @ 4 Ω (2200 W RMS bridged @ 8 Ω), weighing just 14.5 kg. It features independent gain dials, signal - clip and fault LEDs, stereo XLR input and Output link, 1.4 V to 0.775 V input sensitivity switch, mono - stereo - bridge switch, powercon outputs. Moreover, it is protected against shorts and open circuits. Thanks to its high efficiency heat sinks and high speed DC fans, the IPS 2700 can withstand the hardest heat conditions ensuring great reliability.



FEATURES

- 2 unit 19" rack, easy transportation
- Fast response and low distortion
- Easy to configure in stereo / mono / bridge modes
- Extensive protective circuits ensure high reliability and operating safety.
- Front panel signal / clip / protect LED indicators
- XLR input connectors
- SPEAKON NL4 output connectors

TECHNICAL SPECIFICATIONS

| | | |
|---------------------------------|---|-------------------------|
| Amplifier specifications | Number of channels: | 2 |
| | Power output per channel (@ 4 ohm): | 1100 W RMS |
| | Power output per channel (@ 8 ohm): | 700 W RMS |
| | Power output (bridged @ 8 ohm): | 2200 W RMS |
| | Frequency Response (-3dB): | 20 Hz ÷ 20 kHz |
| | Signal/noise rate ("A" weighted) | >100 dB |
| | Crosstalk | <75 dB |
| | Distortion (THD+N) @ 1 kHz nominal power: | <0.5 % |
| Input section | Total number of inputs: | 2 |
| | Balanced: | 2 |
| | Mono: | 2 |
| | Line inputs: | 2 |
| | Line connectors: | XLR |
| Output section | Signal output number: | 2 |
| | Signal output connectors: | XLR |
| | Power output connectors: | Speakon |
| Controls | Configuration: | DIP switch, Front panel |
| Protections | Cooling: | Forced |
| | Short circuit: | Yes |
| | Thermal: | Yes |
| | DC: | Yes |
| | Fuses: | Yes |
| | VHF (Very High Frequencies): | Yes |
| Power requirement | Operating voltage: | 220-240/115 V- 50/60Hz |
| | Power consumption: | 700 W |
| Standard compliance | CE marking: | Yes |
| Physical specifications | Cabinet/Case Material: | Metal |
| | Color: | Black |
| | Rack mounting: | 19", 2U |
| Size | Height: | 88 mm / 3.46 inches |
| | Width: | 482 mm / 18.98 inches |
| | Depth: | 255 mm / 10.04 inches |
| | Weight: | 12.1 kg / 26.68 lbs |



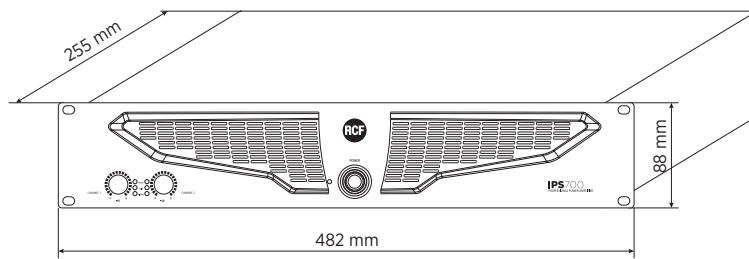
Shipping informations

| | |
|-----------------|-----------------------|
| Package Height: | 150 mm / 5.91 inches |
| Package Width: | 580 mm / 22.83 inches |
| Package Depth: | 570 mm / 22.44 inches |
| Package Weight: | 14.9 kg / 32.85 lbs |

PART NUMBER

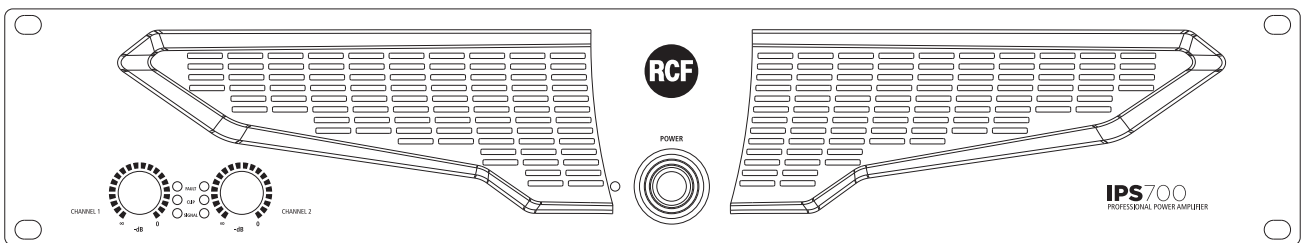
- | | |
|-------------------|-------------------|
| • 12135091 | • 12135090 |
| IPS 2700 | IPS 2700 |
| 220-240V | 115V |
| EAN 8024530011024 | EAN 8024530011772 |

DRAWINGS

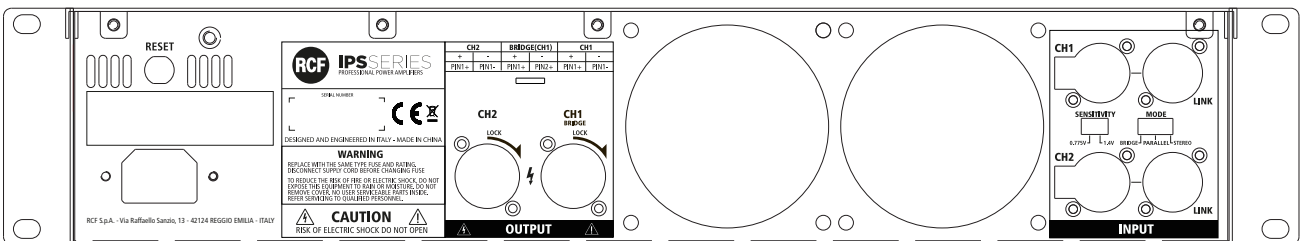


PANELS

Front panel



Rear panel



IPS 2700

2 X 1100 W CLASS H PROFESSIONAL POWER AMPLIFIER

DESCRIPTION

IPS Series is a range of two-way professional amplifiers that combines high quality performance and reliability with the latest power amplification technologies. This high value power-to-cost designs offer, in compact lightweight 2 rack unit space, the sound quality and the durability of traditional class AB and class H designs with the innovation of the latest power devices available.

IPS 2700 is a 2 channel power amplifier that delivers up to 2 x 1100 W RMS @ 4 Ω (2200 W RMS bridged @ 8 Ω), weighing just 14.5 kg. It features independent gain dials, signal - clip and fault LEDs, stereo XLR input and Output link, 1.4 V to 0.775 V input sensitivity switch, mono - stereo - bridge switch, powercon outputs. Moreover, it is protected against shorts and open circuits. Thanks to its high efficiency heat sinks and high speed DC fans, the IPS 2700 can withstand the hardest heat conditions ensuring great reliability.



CARACTÉRISTIQUES

- 2 unit 19" rack, easy transportation
- Fast response and low distortion
- Easy to configure in stereo / mono / bridge modes
- Extensive protective circuits ensure high reliability and operating safety
- Front panel signal / clip / protect LED indicators
- XLR input connectors
- SPEAKON NL4 output connectors

SPÉCIFICATIONS

specifications amplification

| | |
|--|----------------|
| Nombre de canaux : | 2 |
| Sortie de tension pour canal (@ 4 Ohm) (W RMS) : | 1100 W RMS |
| Sortie de tension pour canal (@ 8 Ohm) (W RMS) : | 700 W RMS |
| Sortie de tension (ponté @ 8 Ohm) (W RMS) : | 2200 W RMS |
| Réponse en fréquence (-3 dB) : | 20 Hz ÷ 20 kHz |
| Signal/Taux de bruit (« A » pondéré) : | >100 dB |
| Diaphonie : | <75 dB |
| Distorsion (THD+N) @ tension nominale de 1 kHz : | <0.5 % |

section entrées

| | |
|--------------------------|-----|
| Nombre total d'entrées : | 2 |
| Équilibré : | 2 |
| Mono : | 2 |
| Entrées de ligne : | 2 |
| Connecteurs de ligne : | XLR |

section sortie

| | |
|------------------------------------|---------|
| Numéro de sortie du signal : | 2 |
| Connecteurs de sortie du signal : | XLR |
| Connecteurs de sortie de tension : | Speakon |

contrôles

| | |
|-----------------|-------------------------|
| Configuration : | DIP switch, Front panel |
|-----------------|-------------------------|

protections

| | |
|--------------------------------|--------|
| Système de refroidissement : | Forced |
| Court-circuit : | Yes |
| Thermique : | Yes |
| CC : | Yes |
| Fusibles : | Yes |
| VHF (Très hautes fréquences) : | Yes |

alimentation requise

| | |
|-------------------------------|------------------------|
| Tension de service : | 220-240/115 V- 50/60Hz |
| Consommation électrique (W) : | 700 W |

conformité standard

| | |
|---------------|-----|
| Marquage CE : | Yes |
|---------------|-----|

specifications physiques

| | |
|-------------------------------|---------|
| Matériau du cabinet/caisson : | Metal |
| Couleur : | Black |
| Montage en rack : | 19", 2U |



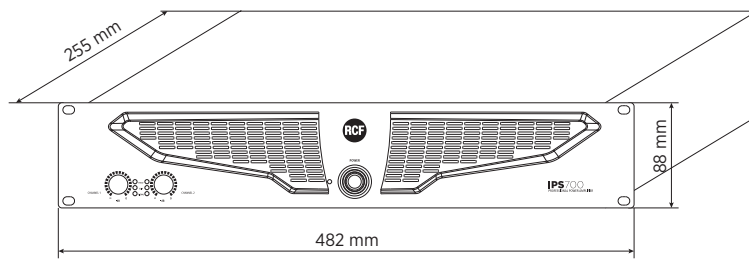
| | | |
|---------------|--------------|-----------------------|
| taille | Hauteur : | 88 mm / 3.46 inches |
| | Largeur : | 482 mm / 18.98 inches |
| | Profondeur : | 255 mm / 10.04 inches |
| | Poids : | 12.1 kg / 26.68 lbs |

| | | |
|-----------------------|-----------------------|-----------------------|
| infos colisage | Hauteur du colis : | 150 mm / 5.91 inches |
| | Largeur du colis : | 580 mm / 22.83 inches |
| | Profondeur du colis : | 570 mm / 22.44 inches |
| | Poids du colis : | 14.9 kg / 32.85 lbs |

NUMÉRO DE PIÈCE

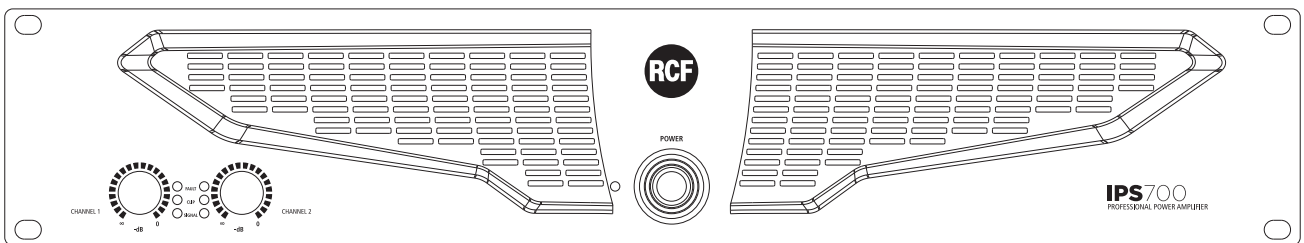
- | | |
|-------------------|-------------------|
| • 12135091 | • 12135090 |
| IPS 2700 | IPS 2700 |
| 220-240V | 115V |
| EAN 8024530011024 | EAN 8024530011772 |

DRAWINGS

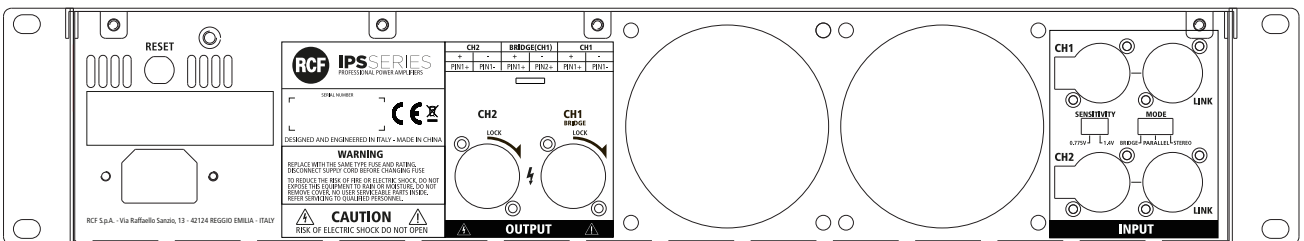


PANELS

Front panel



Rear panel



USER MANUAL MANUALE D'USO

IPS 700
IPS 1700
IPS 2700
IPS 3700

- AMPLIFIERS
- AMPLIFICATORI



TABLE OF CONTENTS INDICE



| | |
|---|----|
| ENGLISH | |
| SAFETY PRECAUTIONS | 4 |
| DESCRIPTION | 6 |
| UNPACKING AND INSTALLATION | 6 |
| FRONT PANEL | 7 |
| REAR PANEL | 8 |
| OPERATION MODES | 9 |
| SPEAKON CONNECTOR WIRING | 11 |
| COOLING REQUIREMENTS | 11 |
| SPECIFICATIONS | 12 |
| ITALIANO | |
| AVVERTENZE PER LA SICUREZZA | 14 |
| DESCRIZIONE | 16 |
| DISIMBALLO ED INSTALLAZIONE | 16 |
| PANNELLO FRONTALE | 17 |
| PANNELLO POSTERIORE | 18 |
| MODI DI FUNZIONAMENTO | 19 |
| CABLAGGIO DEI CONNETTORI SPEAKON (uscite amplificatori) | 21 |
| VENTILAZIONE | 21 |
| SPECIFICHE TECNICHE | 22 |

**IMPORTANT**

Before connecting and using this product, please read this instruction manual carefully and keep it on hand for future reference.

The manual is to be considered an integral part of this product and must accompany it when it changes ownership as a reference for correct installation and use as well as for the safety precautions.

RCF S.p.A. will not assume any responsibility for the incorrect installation and / or use of this product.

WARNING: To prevent the risk of fire or electric shock, never expose this product to rain or humidity.

This device is intended for indoor use only.

SAFETY PRECAUTIONS

1. All the precautions, in particular the safety ones, must be read with special attention, as they provide important information.

2. POWER SUPPLY FROM MAINS

- The mains voltage is sufficiently high to involve a risk of electrocution: never install or connect this product when its power cord is plugged in.
- Before powering up, make sure that all the connections have been made correctly and the voltage of your mains corresponds to the voltage shown on the rating plate on the unit, if not, please contact your RCF dealer.
- The metallic parts of the unit are earthed by means of the power cord.
- An apparatus with CLASS I construction shall be connected to a mains socket outlet with a protective earthing connection.
- Protect the power cord from damage. Make sure it is positioned in a way that it cannot be stepped on or crushed by objects.
- To prevent the risk of electric shock, never open this product: there are no parts inside that the user needs to access.
- The mains plug is used as the disconnect device and it shall remain readily operable.

3. Make sure that no objects or liquids can get into this product, as this may cause a short circuit.

This apparatus shall not be exposed to dripping or splashing. No objects filled with liquid (such as vases) and no naked sources (such as lighted candles) shall be placed on this apparatus.

4. Never attempt to carry out any operations, modifications or repairs that are not expressly described in this manual.

Contact your authorized service centre or qualified personnel should any of the following occur:

- The product does not function (or functions in an anomalous way).
- The power cord has been damaged.
- Objects or liquids have got into the product.
- The product has been subject to a heavy impact.

5. If this product is not used for a long period, disconnect its power cord from mains.

6. If this product begins emitting any strange odours or smoke, **switch it off immediately and disconnect its power cord.**

IMPORTANT**WARNING**

7. The terminals marked with the symbol  are HAZARDOUS LIVE and their connection is to be made by an INSTRUCTED PERSON or the use of ready-made cables is required.

8. Do not connect this product to any equipment or accessories not foreseen.

For suspended installation, only use the dedicated anchoring points and do not try to hang this product by using elements that are unsuitable or not specific for this purpose.

Also check the suitability of the support surface to which the product is anchored (wall, ceiling, structure, etc.), and the components used for attachment (screw anchors, screws, brackets not supplied by RCF etc.), which must guarantee the security of the system / installation over time, also considering, for example, the mechanical vibrations normally generated by transducers.

To prevent the risk of falling equipment, do not stack multiple units of this product unless this possibility is specified in this user manual.

9. RCF S.p.A. strongly recommends this product is only installed by professional qualified installers (or specialised firms) who can ensure correct installation and certify it according to the regulations in force.

The entire audio system must comply with the current standards and regulations regarding electrical systems.

10. Supports and trolleys

The equipment should be only used on trolleys or supports, where necessary, that are recommended by the manufacturer. The equipment / support / trolley assembly must be moved with extreme caution.

Sudden stops, excessive pushing force and uneven floors may cause the assembly to overturn.

11. Mechanical and electrical factors need to be considered when installing a professional audio system (in addition to those which are strictly acoustic, such as sound pressure, angles of coverage, frequency response, etc.).

12. Hearing loss

Exposure to high sound levels can cause permanent hearing loss. The acoustic pressure level that leads to hearing loss is different from person to person and depends on the duration of exposure. To prevent potentially dangerous exposure to high levels of acoustic pressure, anyone who is exposed to these levels should use adequate protection devices.

When a transducer capable of producing high sound levels is being used, it is therefore necessary to wear ear plugs or protective earphones.

See the technical specifications in loudspeaker instruction manuals to know their maximum sound pressure levels.

13. Do not obstruct the ventilation grilles of the unit. Situate this product far from any heat sources and always ensure adequate air circulation around the ventilation grilles.

14. Do not overload amplifiers. Check that amplifier outputs are not shorted.

15. Never force the control elements (keys, knobs, etc.).

16. Do not use solvents, alcohol, benzene or other volatile substances for cleaning the external parts of this product.

Use a dry cloth.

NOTES ABOUT AUDIO SIGNAL CABLES

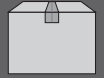


To prevent the occurrence of noise on microphone / line signal cables, use screened cables only and avoid putting them close to:

- Equipment that produces high-intensity electromagnetic fields.
- Mains cables.
- Loudspeaker lines.

RCF S.P.A. THANKS YOU FOR PURCHASING THIS PRODUCT, WHICH HAS BEEN MADE TO GUARANTEE RELIABILITY AND HIGH PERFORMANCE.

DESCRIPTION



IPS series includes four models of two-channel power amplifiers designed for professional use in touring racks and installed sound systems.

The four models only differ in their rated power:

- IPS 700 delivers up to 2 x 300 W into 4 Ω (bridged: 600 W into 8 Ω)
- IPS 1700 delivers up to 2 x 450 W into 4 Ω (bridged: 900 W into 8 Ω)
- IPS 2700 delivers up to 2 x 1100 W into 4 Ω (bridged: 2200 W into 8 Ω)
- IPS 3700 delivers up to 2 x 1500 W into 4 Ω (bridged: 3000 W into 8 Ω).

MAIN FEATURES:

- Fast response and low distortion
- Easy to configure in STEREO / PARALLEL (mono) / BRIDGE modes
- Extensive protective circuits ensure high reliability and operating safety
- Front panel SIGNAL / CLIP / FAULT LED indicators
- XLR input connectors
- SPEAKON output connectors
- Limiter on each channel.

UNPACKING AND INSTALLATION



Check the carton box and its contents to see if there is any sign of damage (should the amplifier be damaged, immediately inform your local distributor / dealer and the forwarder). It is always advisable to keep the packing materials, even if the amplifier has arrived in good condition.

Input and output cables are not included.

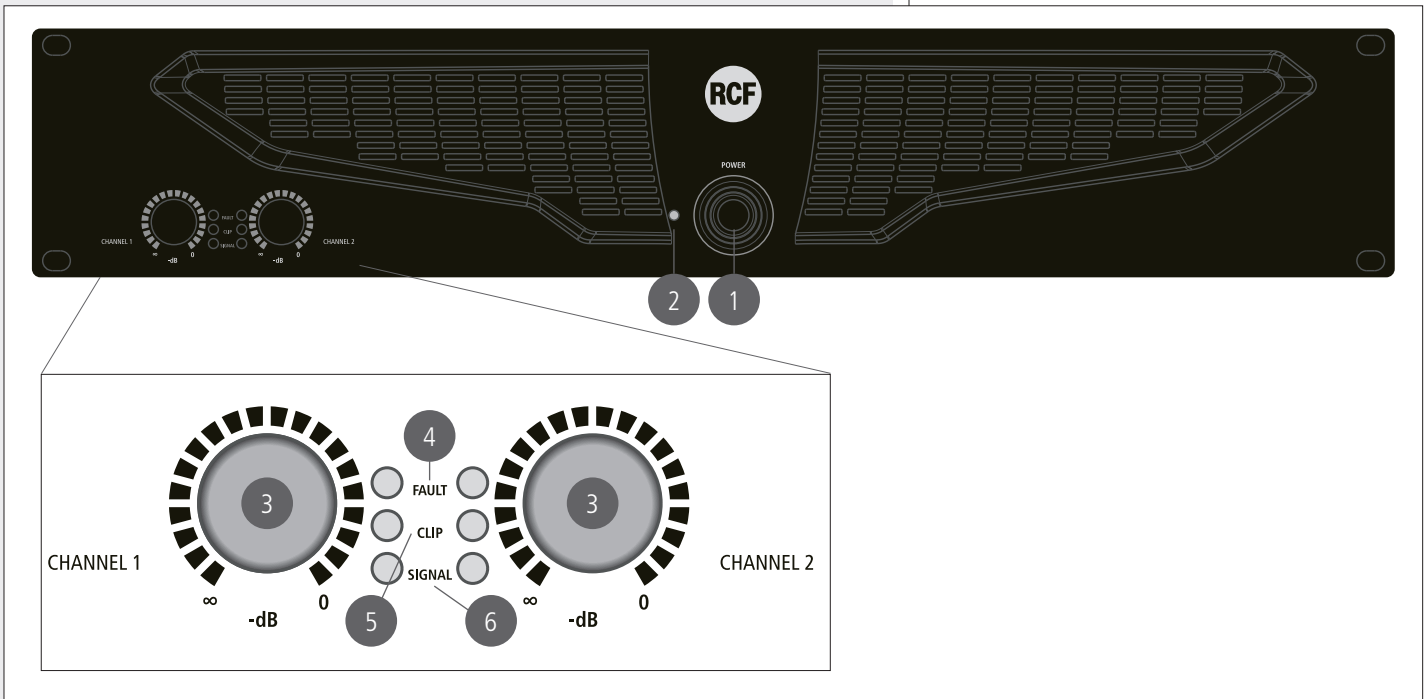
Each amplifier needs 2 units of a standard 19" rack cabinet.

Four holes for rack mounting are on the front panel ears.

Rear mounting ears give additional support.

The amplifier should not be installed in a place with:

- Too high temperature, dust or excessive humidity.
- Fog machine outputs oriented towards the amplifier.
- Exhaust air ventilators.
- Permanent vibrations.
- High-intensity electromagnetic fields (due to transformers, transmitters, etc.).



1 POWER switch

Push to turn on / off the amplifier.

Before switching the amplifier on, check all cables and turn fully counterclockwise both channel level controls (3).

2 POWER LED

When lit, the amplifier is switched on.

3 Control (one per channel) to adjust the output level of the respective amplifier channel.

Turn clockwise to increase the output level (0 dB = max. level), turn counterclockwise to decrease.

IF THE AMPLIFIER IS SET TO **BRIDGE** MODE, USE THE CHANNEL 1 CONTROL ONLY.

4 FAULT LED (one per channel)

When lit, it indicates the internal protection intervention (due to overload, short-circuit, thermal drift, fault) and the respective channel is muted.

As soon as the problem is solved, this LED will be dark.

When turning the amplifier on, this LED stays lit for three seconds.

5 CLIP LED (one per channel)

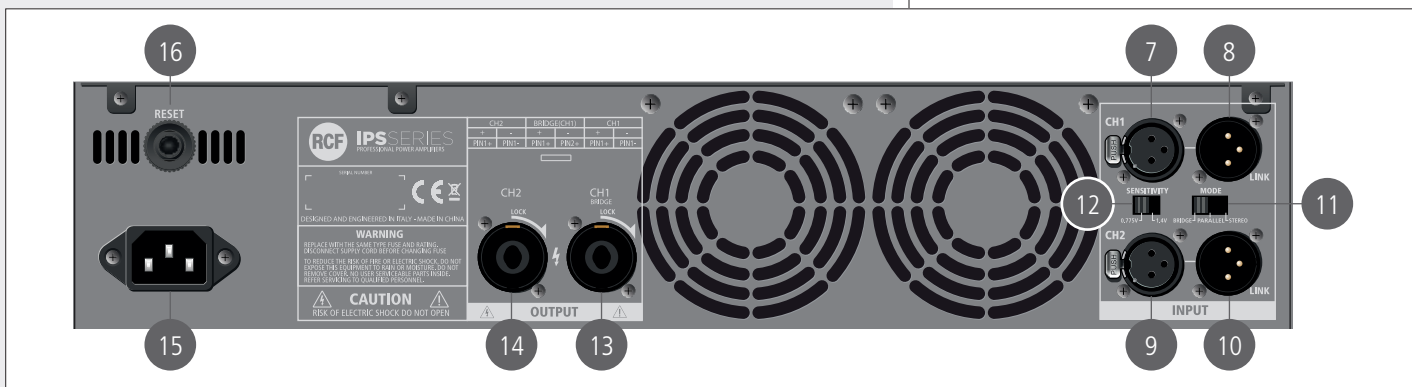
It blinks when the signal level reaches the clipping point, causing the limiter intervention of the respective channel.

If it stays lit continuously, the input signal level is excessive.

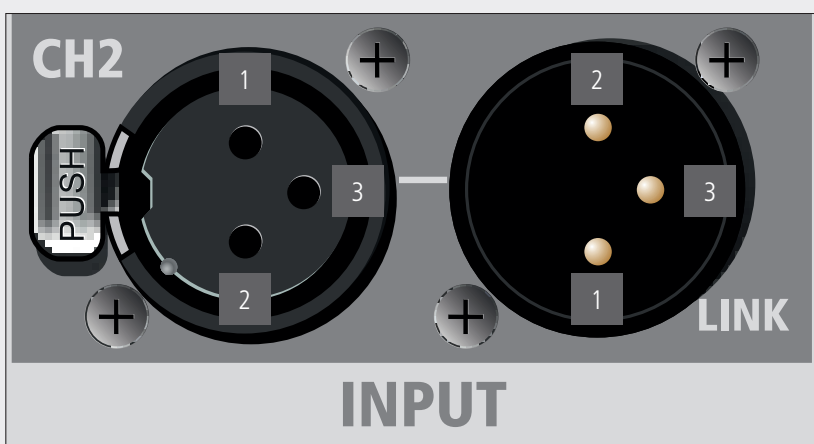
6 SIGNAL LED (one per channel)

When lit, it indicates the signal presence (above -40 dBu) at the respective input.





PIEDINATURA CONNETTORE XLR: 1 MASSA, 2 SEGNALE AUDIO (+), 3 SEGNALE AUDIO (-)



7 CH1 INPUT

Channel 1 balanced audio input (female XLR connector).

8 CH1 LINK

Channel 1 balanced parallel audio output (male XLR connector).

This output is linked in parallel with the channel 1 input and is useful to link another amplifier.

9 CH2 INPUT (STEREO MODE ONLY)

Channel 2 balanced audio input (female XLR connector).

10 CH2 LINK

Channel 2 balanced parallel audio output (male XLR connector).

This output is linked in parallel with the channel 2 input and is useful to link another amplifier.

11 MODE switch

Before turning the amplifier on, set the amplifier mode selector to the right position among **BRIDGE**, **PARALLEL** (mono) and **STEREO**.

See the 'Operation modes' manual section.

12 SENSITIVITY switch

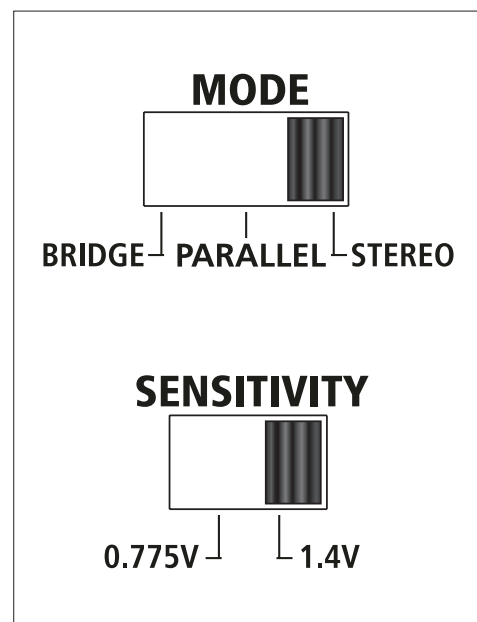
Set the sensitivity switch to either 0.775 V or 1.4 V, which is input signal voltage required to get the maximum power output from the amplifier.

13 CH 1 OUTPUT

Channel 1 output to loudspeakers (SPEAKON connector).

If the amplifier is set to BRIDGE mode, only connect this output.

See both 'Operation modes' and 'SPEAKON connector wiring' manual sections.



14 CH 2 OUTPUT

Channel 2 output to loudspeakers (SPEAKON connector).
Do not use this output if the amplifier is set to BRIDGE mode.
See both 'Operation modes' and 'SPEAKON connector wiring' manual sections.

15 Power cord input.

Connect the power cord only to a mains socket outlet with a protective earthing connection.

16 RESET push-button

Push this button to (try to) reset the amplifier when is muted due to the thermal protection.

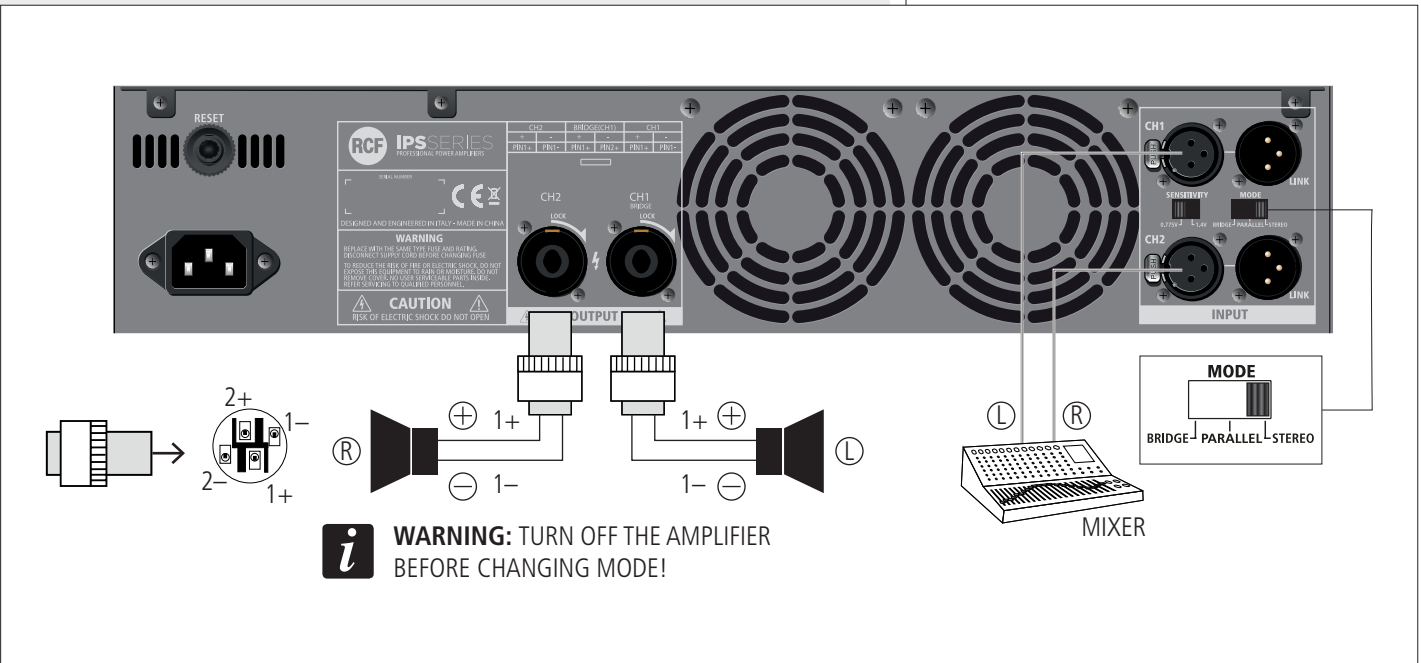
OPERATION MODES 

STEREO MODE

Make sure the amplifier is switched off before setting the **MODE** switch **11** to **STEREO**.
In stereo mode, both channels operate independently and each front panel level control affects its respective output.

Minimum load impedance is 4 Ω per output.

Loudspeakers shall be connected to the outputs 1 (left channel) and 2 (right channel).



PARALLEL (MONO) MODE

Make sure the amplifier is switched off before setting the **MODE** switch **11** to **PARALLEL**.

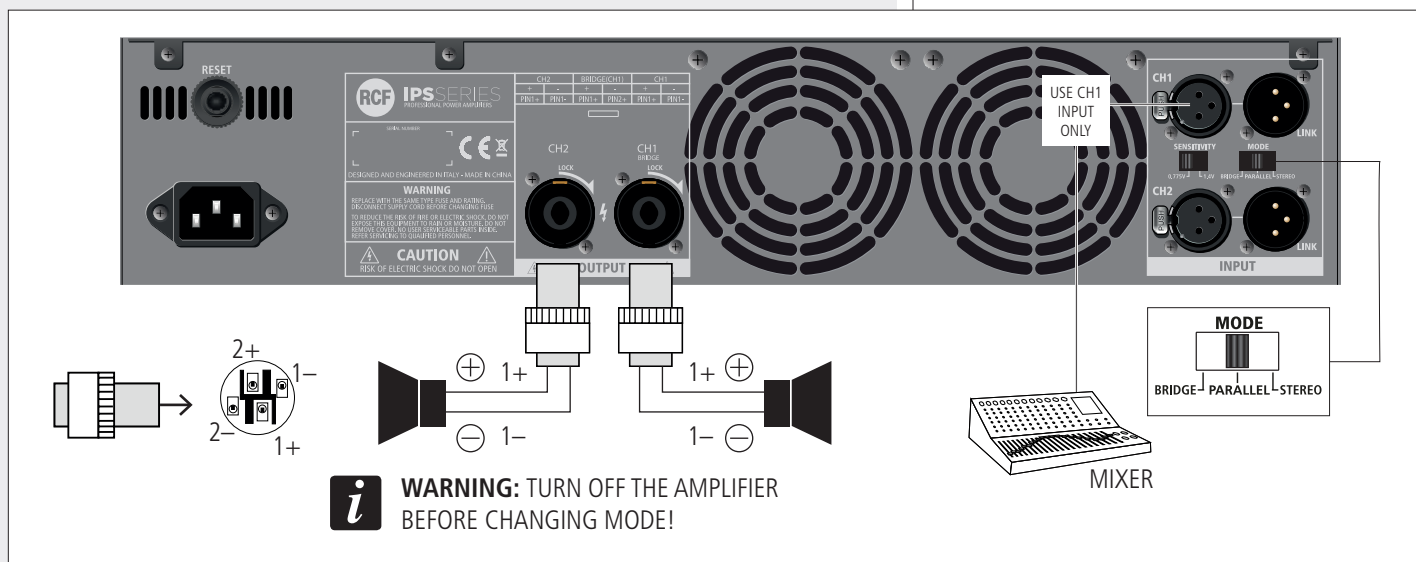
In mono mode, both channels are linked to input 1 (therefore receiving the same signal). Each front panel level control affects its respective output, allowing you to set (if necessary) different levels.

Minimum load impedance is 4 Ω per output.

Loudspeakers shall be connected to the outputs 1 and 2.

NOTE THAT ONLY THE AMPLIFIER INPUTS ARE LINKED IN PARALLEL. THIS IS NOT AN OUTPUT PARALLEL MODE.

NEVER CONNECT BOTH OUTPUTS IN PARALLEL!



BRIDGE MODE

Make sure the amplifier is switched off before setting the **MODE** switch **11** to **BRIDGE**.

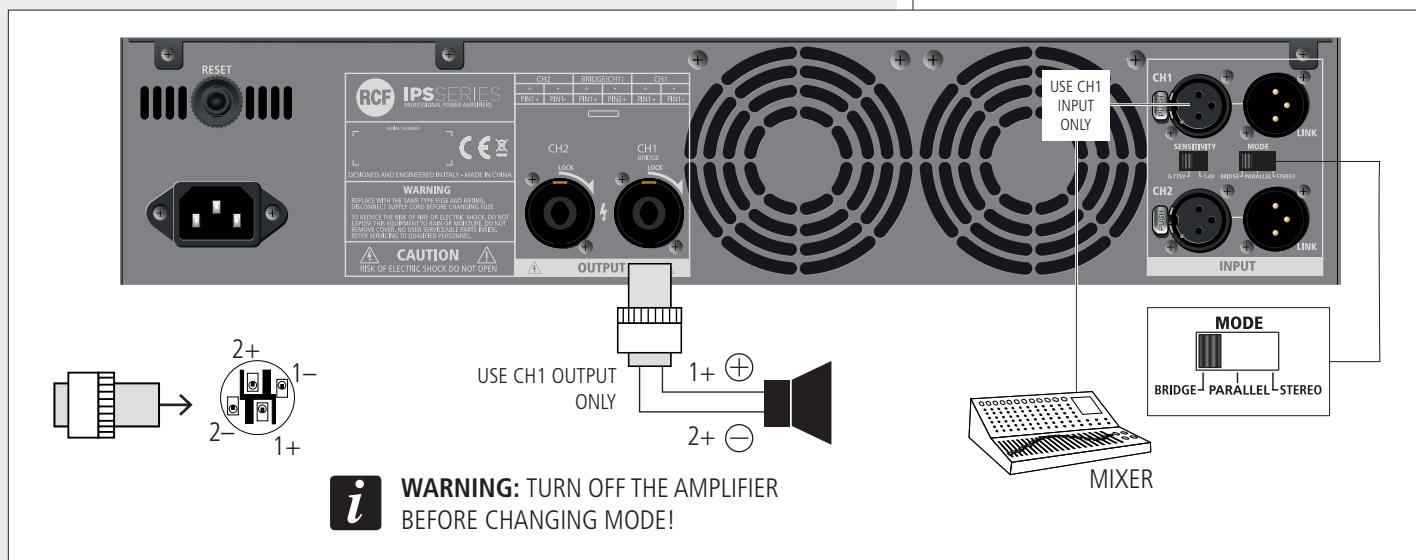
In 'bridge' (mono) mode, both amplifier channels work with the same input signal, but with inverse phases. The result is a doubling of the output voltage in order to get a double power (on a double impedance load).

Connect the CH 1 input and output only.

The output level is adjusted only by the channel 1 front panel control.

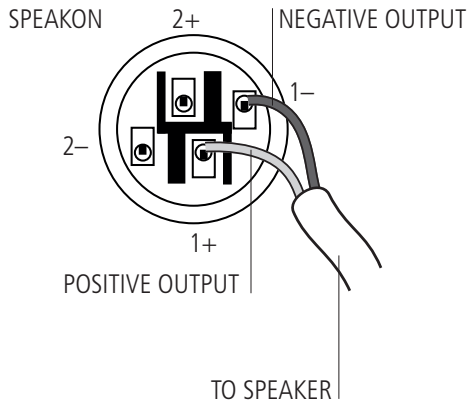
Pay attention to the output SPEAKON wiring: pin 1+ positive, pin 2+ negative.

Minimum load impedance is: 8 Ω.

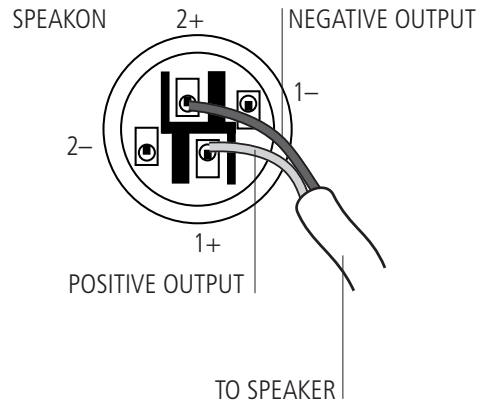




STEREO / PARALLEL (MONO) MODE



BRIDGE MODE



COOLING REQUIREMENTS



IPS amplifiers have a forced air cooling system to maintain a low operating temperature. Make sure there is enough space around the front of all amplifiers (to allow air to enter) and around to allow the heated air to exit. If amplifiers are rack-mounted, do not use doors or covers on the front and the rear of the rack cabinet(s).



| | | IPS 700 | IPS 1700 | IPS 2700 | IPS 3700 |
|---|-------------------------------|---|----------|----------|----------|
| RATED OUTPUT POWER | 4 Ω - stereo (per channel) | 300 W | 450 W | 1100 W | 1500 W |
| | 8 Ω - stereo (per channel) | 150 W | 330 W | 700 W | 1200 W |
| | 8 Ω - bridged | 600 W | 900 W | 2200 W | 3000 W |
| Frequency response | | 20 Hz ÷ 20 kHz (+0 –1 dB, 1 W) | | | |
| Total harmonic distortion | | < 0.5% (20 Hz ÷ 20 kHz) | | | |
| Damping factor | | > 200 (8 Ω, 10 ÷ 400 Hz) | | | |
| Slew rate | | > 10 V / μs | | | |
| Signal / noise ratio | | > 100 dB | | | |
| Crosstalk | | –75 dB (1 kHz) | | | |
| Input sensitivity for full rated power (8 Ω) | | 0.775 V / 1.4 V | | | |
| Input impedance | | 20 kΩ (balanced), 10 kΩ (unbalanced) | | | |
| Protections | | DC, internal fault, input overload, RF interference, unmatched load, output short-circuit, thermal drift, power supply over-current | | | |
| Cooling | | Internal heat sinks and forced ventilation (speed regulated fan) | | | |
| Operating voltage | | 115 V / 230 V (according to the model), 50-60 Hz | | | |
| Power consumption | | 350 W | 350 W | 700 W | 800 W |
| Inrush current | | 8 A | 11 A | 15 A | 22 A |
| Power cord input | | IEC 10 A | IEC 10 A | IEC 16 A | IEC 16 A |
| Dimensions (19" rack, 2 U) | width | 482 mm | 482 mm | 482 mm | 482 mm |
| | height | 88 mm | 88 mm | 88 mm | 88 mm |
| | depth | 255 mm | 255 mm | 255 mm | 324 mm |
| Net weight | | 9.5 kg | 11.2 kg | 12.2 kg | 16.6 kg |

**IMPORTANTE**

Prima di collegare ed utilizzare questo prodotto, leggere attentamente le istruzioni contenute in questo manuale, il quale è da conservare per riferimenti futuri.

Il presente manuale costituisce parte integrante del prodotto e deve accompagnare quest'ultimo anche nei passaggi di proprietà, per permettere al nuovo proprietario di conoscere le modalità d'installazione e d'utilizzo e le avvertenze per la sicurezza.

L'installazione e l'utilizzo errati del prodotto esimono la RCF S.p.A. da ogni responsabilità.

ATTENZIONE: per prevenire i rischi di fiamme o scosse elettriche, non esporre mai questo prodotto alla pioggia o all'umidità; questo apparecchio è progettato per il solo uso all'interno.

AVVERTENZE PER LA SICUREZZA

1. Tutte le avvertenze, in particolare quelle relative alla sicurezza, devono essere lette con particolare attenzione, in quanto contengono importanti informazioni.

2 ALIMENTAZIONE DA RETE ELETTRICA

- La tensione di alimentazione dell'apparecchio ha un valore sufficientemente alto da costituire un rischio di folgorazione per le persone: non procedere mai all'installazione od alla connessione dell'apparecchio con il cavo dell'alimentazione collegato alla rete elettrica.
- Prima di alimentare questo prodotto, assicurarsi che tutte le connessioni siano corrette e che la tensione della vostra rete di alimentazione corrisponda quella di targa dell'apparecchio, in caso contrario rivolgetevi ad un rivenditore RCF.
- Le parti metalliche dell'apparecchio sono collegate a terra tramite il cavo di alimentazione. Un apparecchio avente costruzione di CLASSE I deve essere connesso alla presa di rete con un collegamento alla terra di protezione.
- Accertarsi che il cavo di alimentazione dell'apparecchio non possa essere calpestato o schiacciato da oggetti, al fine di salvaguardarne la perfetta integrità.
- Per evitare il rischio di shock elettrici, non aprire mai l'apparecchio: all'interno non vi sono parti che possono essere utilizzate dall'utente.
- La spina del cavo d'alimentazione è utilizzata come dispositivo di scollegamento e deve rimanere sempre facilmente accessibile.

3. Impedire che oggetti o liquidi entrino all'interno del prodotto, perché potrebbero causare un corto circuito. L'apparecchio non deve essere esposto a stillicidio o a spruzzi d'acqua; nessun oggetto pieno di liquido (quali vasi) e nessuna sorgente di fiamma nuda (es. candele accese) deve essere posto sull'apparecchio.

4. Non eseguire sul prodotto interventi / modifiche / riparazioni se non quelle espressamente descritte sul manuale istruzioni.

Contattare centri di assistenza autorizzati o personale altamente qualificato quando:

- l'apparecchio non funziona (o funziona in modo anomalo);
- il cavo di alimentazione ha subito gravi danni;
- oggetti o liquidi sono entrati nell'apparecchio;
- l'apparecchio ha subito forti urti.

5. Qualora questo prodotto non sia utilizzato per lunghi periodi, scollegare il cavo d'alimentazione dalla rete elettrica.

6. Nel caso che dal prodotto provengano odori anomali o fumo, **spegnerlo immediatamente e scollegare il cavo d'alimentazione.**

IMPORTANTE**ATTENZIONE**

7. I terminali marcati con il simbolo  sono da ritenersi ATTIVI e PERICOLOSI ed il loro collegamento deve essere effettuato da PERSONE ADDESTRATE oppure si devono utilizzare cavi già pronti.

8. Non collegare a questo prodotto altri apparecchi e accessori non previsti. Quando è prevista l'installazione sospesa, utilizzare solamente gli appositi punti di ancoraggio e non cercare di appendere questo prodotto tramite elementi non idonei o previsti allo scopo. Verificare inoltre l'idoneità del supporto (parete, soffitto, struttura ecc., al quale è ancorato il prodotto) e dei componenti utilizzati per il fissaggio (tasselli, viti, staffe non fornite da RCF ecc.) che devono garantire la sicurezza dell'impianto / installazione nel tempo, anche considerando, ad esempio, vibrazioni meccaniche normalmente generate da un trasduttore. Per evitare il pericolo di cadute, non sovrapporre fra loro più unità di questo prodotto, quando questa possibilità non è espressamente contemplata dal manuale istruzioni.

9. RCF S.p.A. raccomanda vivamente che l'installazione di questo prodotto sia eseguita solamente da installatori professionali qualificati (oppure da ditte specializzate) in grado di farla correttamente e certificarla in accordo con le normative vigenti.

Tutto il sistema audio dovrà essere in conformità con le norme e le leggi vigenti in materia di impianti elettrici.

10. Sostegni e Carrelli

Se previsto, il prodotto va utilizzato solo su carrelli o sostegni consigliati dal produttore. L'insieme apparecchio-sostegno / carrello va mosso con estrema cura. Arresti improvvisi, spinte eccessive e superfici irregolari o inclinate possono provocare il ribaltamento dell'assieme.

11. Si devono considerare anche i fattori meccanici ed elettrici quando si installa un sistema audio professionale (oltre a quelli prettamente acustici, come la pressione sonora, gli angoli di copertura, la risposta in frequenza, ecc.).

12. Perdita dell'udito

L'esposizione ad elevati livelli sonori può provocare la perdita permanente dell'udito. Il livello di pressione acustica pericolosa per l'udito varia sensibilmente da persona a persona e dipende dalla durata dell'esposizione. Per evitare un'esposizione potenzialmente pericolosa ad elevati livelli di pressione acustica, è necessario che chiunque sia sottoposto a tali livelli utilizzi delle adeguate protezioni; quando si fa funzionare un trasduttore in grado di produrre elevati livelli sonori è necessario indossare dei tappi per orecchie o delle cuffie protettive. Consultare i dati tecnici contenuti nei manuali istruzioni per conoscere le massime pressioni sonore che i diffusori acustici sono in grado di produrre.

13. Non ostruire le griglie di ventilazione dell'unità. Collocare il prodotto lontano da fonti di calore e garantire la circolazione dell'aria in corrispondenza delle griglie di aerazione.

14. Non sovraccaricare gli amplificatori; verificare che non vi sia una o più uscite in cortocircuito.

15. Non forzare mai gli organi di comando (tasti, manopole ecc.).

16. Non usare solventi, alcool, benzina o altre sostanze volatili per la pulitura delle parti esterne dell'unità, ma un panno asciutto.

NOTA SUI CAVI PER SEGNALI AUDIO



Per evitare fenomeni di rumorosità indotta sui cavi che trasportano segnali dai microfoni o di linea (per esempio 0dB), usare solo cavi schermati ed evitare di posarli nelle vicinanze di:

- apparecchiature che producono campi elettromagnetici di forte intensità;
- cavi di rete;
- linee che alimentano altoparlanti.

RCF S.P.A. VI RINGRAZIA PER L'ACQUISTO DI QUESTO PRODOTTO, REALIZZATO IN MODO DA GARANTIRNE L'AFFIDABILITÀ E PRESTAZIONI ELEVATE.

DESCRIZIONE



La serie IPS include quattro modelli di amplificatori (finali di potenza a due canali) per uso professionale (es. tour) e sistemi installati.

I quattro modelli differiscono tra loro solo per la potenza nominale:

- IPS 700 eroga fino a 2 x 300 W su 4 Ω (600 W "a ponte" su 8 Ω);
- IPS 1700 eroga fino a 2 x 450 W su 4 Ω (900 W "a ponte" su 8 Ω);
- IPS 2700 eroga fino a 2 x 1100 W su 4 Ω (2200 W "a ponte" su 8 Ω);
- IPS 3700 eroga fino a 2 x 1500 W su 4 Ω (3000 W "a ponte" su 8 Ω).

CARATTERISTICHE PRINCIPALI:

- risposta rapida e bassa distorsione;
- facilmente configurabile nei modi "stereo" / "parallelo" ("mono") / "bridge" ("a ponte");
- le protezioni interne assicurano alta affidabilità e sicurezza;
- LED sul pannello frontale indicanti la presenza ed il picco del segnale (SIGNAL / CLIP) e l'intervento delle protezioni (FAULT);
- ingressi con connettori XLR;
- uscite con connettori SPEAKON;
- "Limiter" (limitatore) per ciascun canale.

DISIMBALLO ED INSTALLAZIONE



Verificare se il cartone per l'imballo ed il contenuto hanno subito dei danni durante il trasporto (nel caso che l'amplificatore sia danneggiato, informare immediatamente il rivenditore e lo spedizioniere).

E' sempre consigliabile tenere il materiale d'imballo, perfino nel caso che l'amplificatore sia arrivato in buone condizioni.

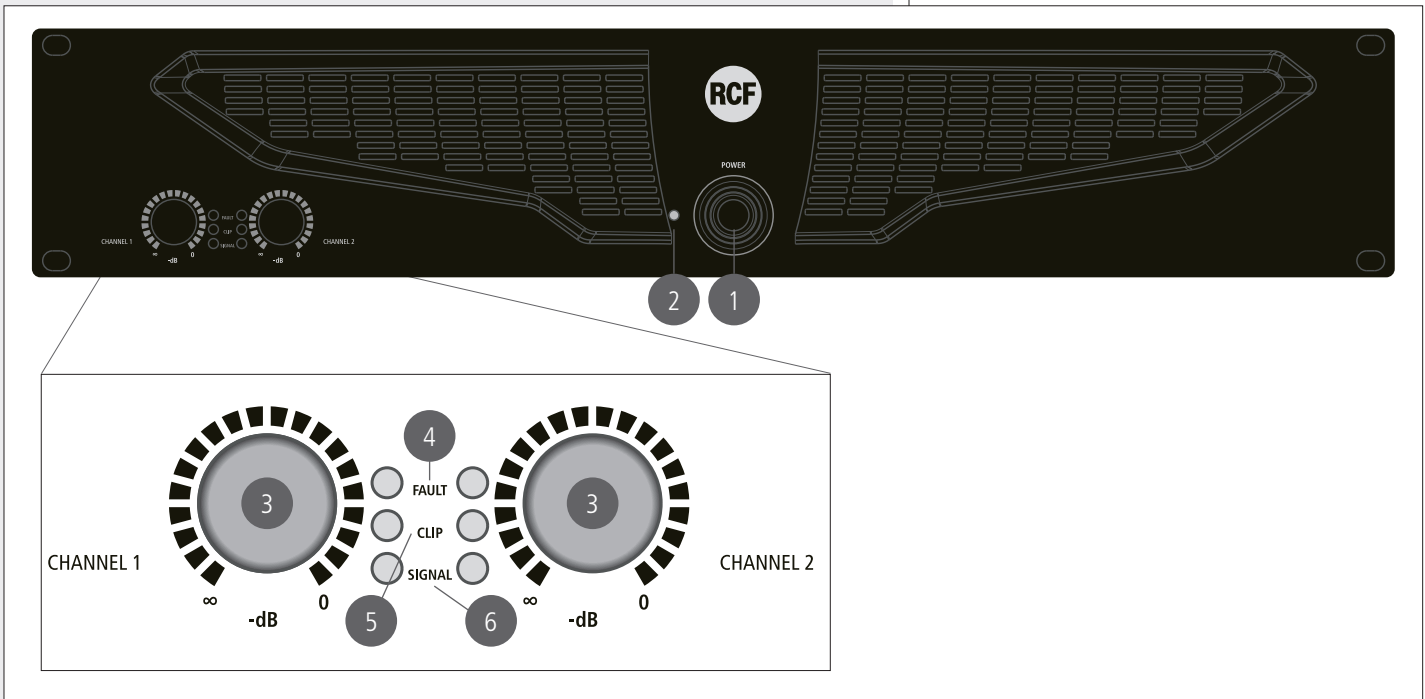
I cavi per gli ingressi audio e le uscite amplificate non sono inclusi.

Ciascun amplificatore occupa 2 unità di un rack standard 19".

Sulle alette del pannello frontale, sono presenti 4 fori per il montaggio a rack; le alette posteriori forniscono un ulteriore supporto.

L'amplificatore non dovrebbe essere posto in luoghi con:

- temperatura troppo elevata, polvere o umidità eccessiva;
- macchine del fumo con l'uscita orientata verso l'amplificatore;
- uscite d'aria riscaldata;
- vibrazioni permanenti;
- forti campi elettromagnetici (dovuti a trasformatori, trasmettitori, ecc.).



1 Interruttore principale **POWER**

Premere per accendere o spegnere l'amplificatore.

Prima di accendere l'amplificatore, controllare tutte le connessioni e ruotare completamente in senso antiorario il controllo di livello **3** di entrambi i canali.

2 LED **POWER**

Indica l'accensione dell'amplificatore.

3 Controllo (uno per canale) per la regolazione del livello d'uscita del rispettivo canale dell'amplificatore.

Ruotarlo in senso orario per aumentare il livello d'uscita (0 dB = livello max.) od antiorario per diminuirlo.

SE L'AMPLIFICATORE È IMPOSTATO NEL MODO **BRIDGE**, USARE SOLO IL CONTROLLO DEL CANALE 1.

4 LED **FAULT** (uno per canale)

La sua accensione indica l'intervento della protezione interna (a causa di sovraccarico, corto-circuito, deriva termica, guasto) ed il rispettivo canale è disattivato; non appena il problema è risolto, il LED si spegne.

Dopo aver acceso l'amplificatore, questo LED rimane acceso per tre secondi.

5 LED **CLIP** (uno per canale)

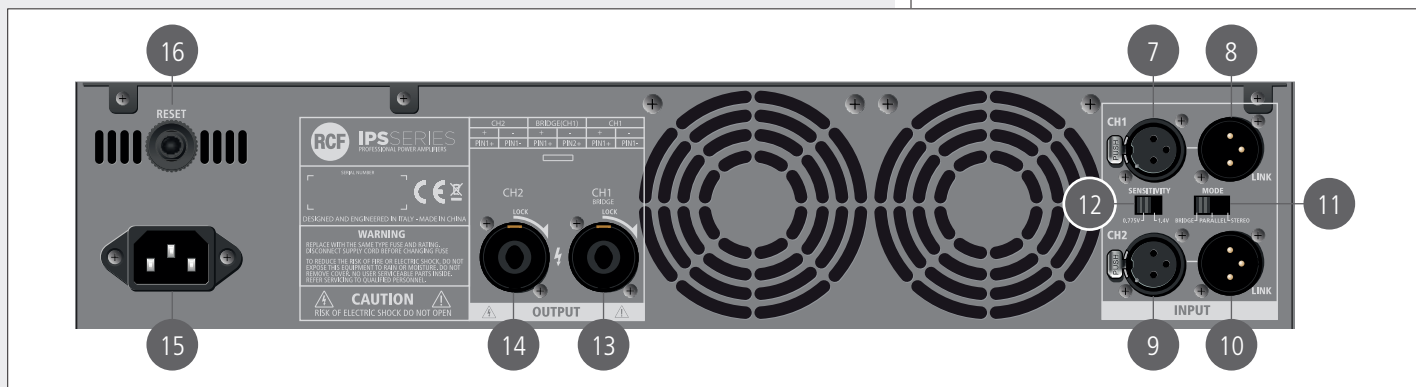
Lampeggia quando il livello del segnale raggiunge il livello massimo prima della saturazione, causando l'intervento del limitatore interno del rispettivo canale.

Nel caso sia costantemente acceso, il livello del segnale d'ingresso è eccessivo.

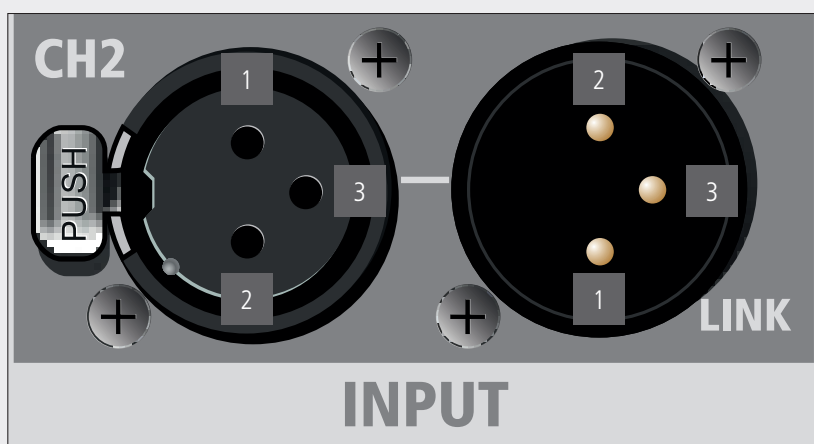
6 LED **SIGNAL** (uno per canale)

Quando acceso, indica la presenza del segnale (sopra -40 dBu) nel rispettivo ingresso.





PIEDINATURA CONNETTORE XLR: 1 MASSA, 2 SEGNALE AUDIO (+), 3 SEGNALE AUDIO (-)



7 CH1 INPUT

Ingresso audio bilanciato del canale 1 (connettore XLR femmina).

8 CH1 LINK

Uscita audio bilanciata del canale 1 (connettore XLR maschio) collegata in parallelo al rispettivo ingresso ed utilizzabile per la connessione di un altro amplificatore.

9 CH2 INPUT (SOLO MODO STEREO)

Ingresso audio bilanciato del canale 2 (connettore XLR femmina).

10 CH2 LINK

Uscita audio bilanciata del canale 2 (connettore XLR maschio) collegata in parallelo al rispettivo ingresso ed utilizzabile per la connessione di un altro amplificatore.

11 Selettore del modo di funzionamento **MODE**

Prima di accendere l'amplificatore, scegliere il modo di funzionamento tra **BRIDGE** ("a ponte"), **PARALLEL** ("mono") e **STEREO**.

Vedere la sezione del manuale "Modi di funzionamento".

12 Selettore della sensibilità d'ingresso **SENSITIVITY**

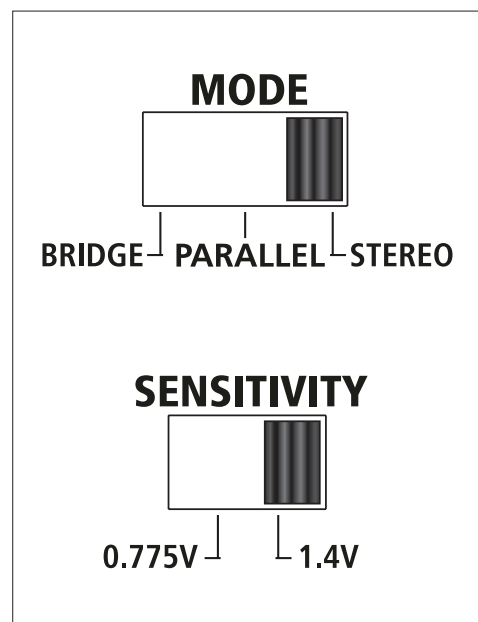
Impostare il selettore su 0.775 V oppure 1.4 V, valori che rappresentano la tensione necessaria del segnale d'ingresso per ottenere la massima potenza d'uscita erogata dall'amplificatore.

13 CH 1 OUTPUT

Uscita amplificata del canale 1 per i diffusori acustici (connettore SPEAKON).

Se l'amplificatore è impostato nel modo BRIDGE, collegare solo questa uscita.

Vedere le sezioni del manuale "Modi di funzionamento" e "Cablaggio dei connettori SPEAKON".



14 CH 2 OUTPUT

Uscita amplificata del canale 2 per i diffusori acustici (connettore SPEAKON).
Non utilizzare questa uscita se l'amplificatore è impostato nel modo BRIDGE.
Vedere le sezioni del manuale "Modi di funzionamento" e "Cablaggio dei connettori SPEAKON".

15 Ingresso per il cavo d'alimentazione.

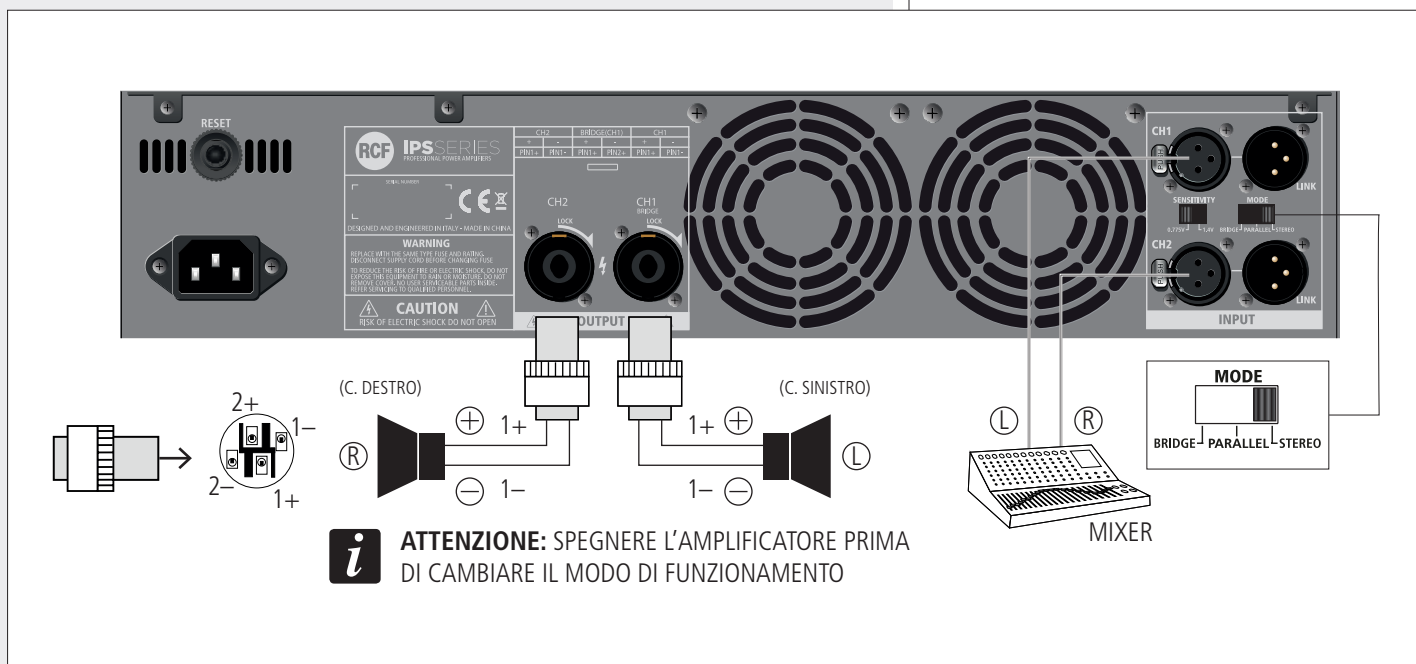
Collegare il cavo d'alimentazione solo ad una presa di rete avente la messa a terra.

16 Pulsante di **RESET** che, se premuto, permette di tentare il ripristino del funzionamento dell'amplificatore dopo l'intervento della protezione termica.**MODI DI FUNZIONAMENTO****MODO "STEREO"**

Assicurarsi che l'amplificatore sia spento prima di porre il selettore **MODE 11** su **STEREO**.
In stereo, i 2 canali funzionano in modo indipendente e ciascun controllo di livello (sul pannello frontale) agisce (solo) sulla rispettiva uscita.

L'impedenza minima ammessa del carico è 4 Ω per uscita.

I diffusori acustici possono essere collegati all'uscita 1 (canale sinistro) oppure 2 (canale destro).



MODO "PARALLEL" (MONO)

Assicurarsi che l'amplificatore sia spento prima di porre il selettore **MODE** 11 su **PARALLEL**.

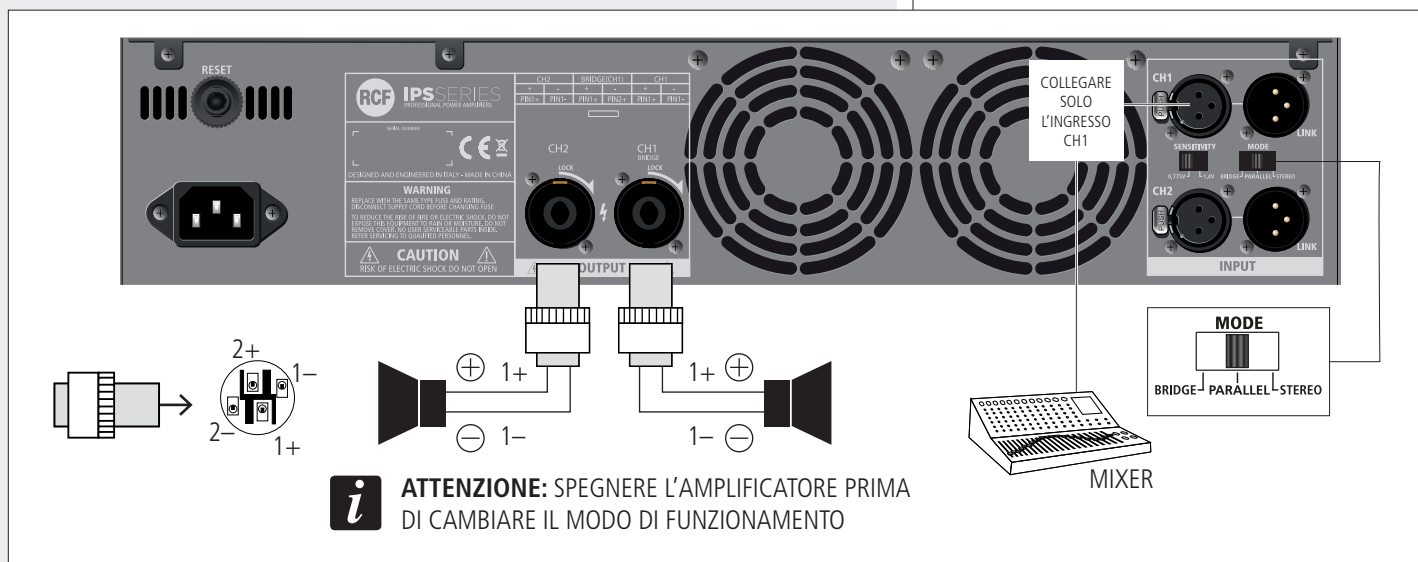
In mono, entrambi i canali sono collegati all'ingresso 1 (e pertanto ricevono lo stesso segnale).

Ciascun controllo di livello (sul pannello frontale) agisce (solo) sulla rispettiva uscita, permettendo di impostare livelli diversi (se necessario).

L'impedenza minima ammessa del carico è 4 Ω per uscita.

I diffusori acustici possono essere collegati all'uscita 1 oppure 2.

NOTA: SOLO GLI INGRESSI SONO POSTI IN PARALLELO; NON SI TRATTA DI UNA MESSA IN PARALLELO DELLE USCITE.
NON COLLEGARE MAI I TERMINALI D'USCITA IN PARALLELO!



MODO "BRIDGE" ("A PONTE")

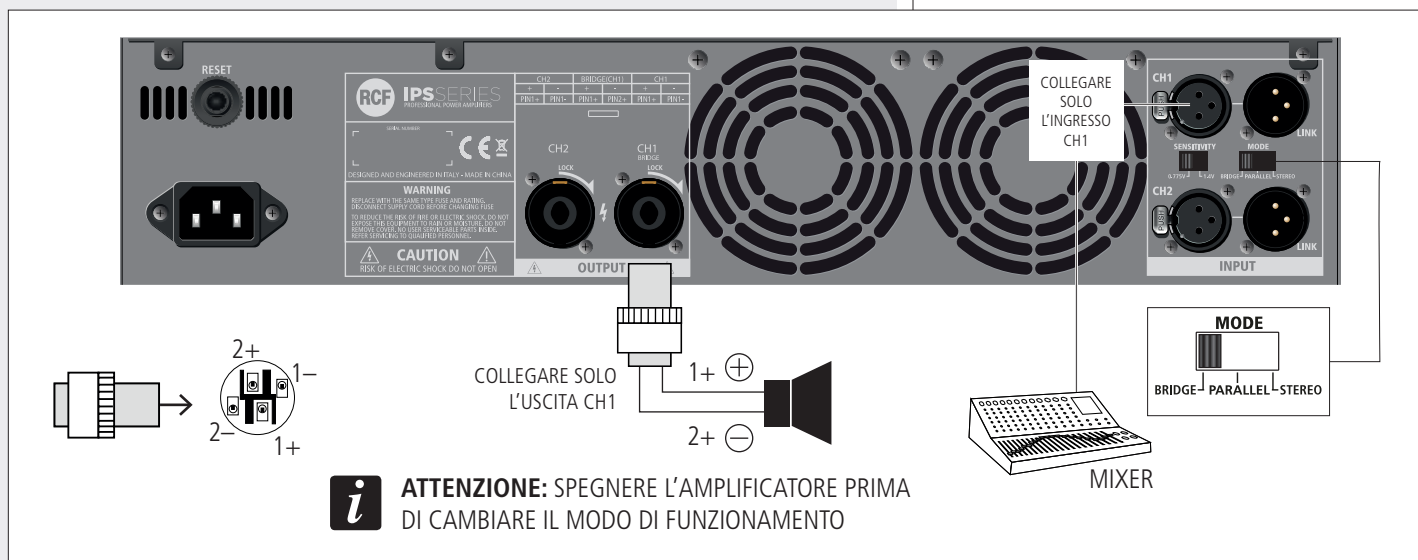
Assicurarsi che l'amplificatore sia spento prima di porre il selettore **MODE** 11 su **BRIDGE**.

Nel modo "a ponte" (mono), entrambi i canali dell'amplificatore funzionano con lo stesso segnale d'ingresso, ma con fase invertita. Questo comporta un raddoppio della tensione d'uscita per ottenere una potenza doppia (su un carico avente impedenza doppia).

Collegare solo l'ingresso e l'uscita del canale 1.

Il livello d'uscita è regolabile solo dal controllo del canale 1 posto sul pannello frontale. Prestare attenzione al cablaggio del connettore SPEAKON: 1+ positivo, 2+ negativo.

L'impedenza minima ammessa del carico è 8 Ω .

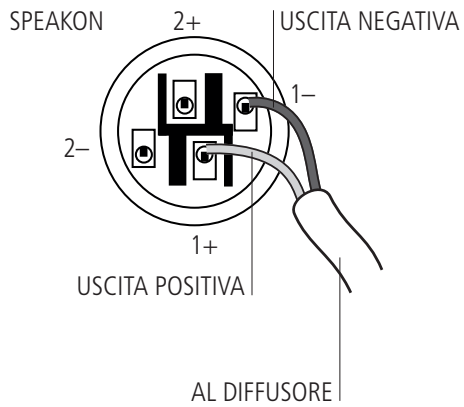


CABLAGGIO DEI CONNETTORI SPEAKON (uscite amplificatori)

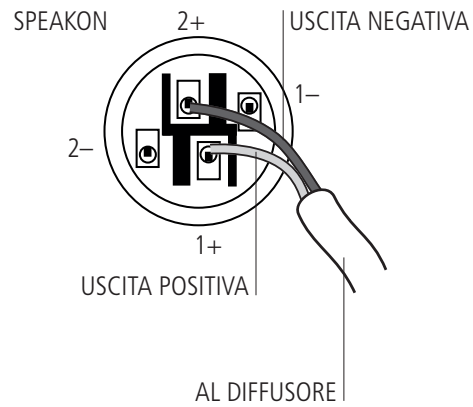


ITALIANO

MODO STEREO / PARALLEL (MONO)



MODO BRIDGE ("A PONTE")



VENTILAZIONE



Gli amplificatori IPS hanno un sistema di raffreddamento con ventilazione forzata (per mantenere una bassa temperatura di funzionamento).

Assicurarsi che vi sia spazio sufficiente davanti al pannello frontale degli amplificatori (per permettere all'aria di entrare) ed intorno per permettere all'aria calda di uscire.

Se gli amplificatori sono montati in un armadio rack / flight-case (da 19 pollici), non utilizzare porte (od altre coperture) sia sul lato anteriore sia su quello posteriore.



| | | IPS 700 | IPS 1700 | IPS 2700 | IPS 3700 |
|--|------------------------------|--|----------|----------|----------|
| POTENZA NOMINALE D'USCITA | 4 Ω - stereo (per canale) | 300 W | 450 W | 1100 W | 1500 W |
| | 8 Ω - stereo (per canale) | 150 W | 330 W | 700 W | 1200 W |
| | 8 Ω - "a ponte" | 600 W | 900 W | 2200 W | 3000 W |
| Risposta in frequenza | | 20 Hz ÷ 20 kHz (+0 -1 dB, 1 W) | | | |
| Distorsione (T.H.D.) | | < 0,5% (20 Hz ÷ 20 kHz) | | | |
| Fattore di smorzamento | | > 200 (8 Ω, 10 ÷ 400 Hz) | | | |
| "Slew rate" (velocità di risposta) | | > 10 V / μs | | | |
| Rapporto segnale / rumore | | > 100 dB | | | |
| Diafonia | | -75 dB (1 kHz) | | | |
| Sensibilità d'ingresso per piena potenza nominale (8 Ω) | | 0,775 V / 1,4 V | | | |
| Impedenza d'ingresso | | 20 kΩ (bilanciato), 10 kΩ (sbilanciato) | | | |
| Protezioni | | Corrente continua, guasto interno, sovratensione ingresso, interferenze elettromagnetiche, carico inadeguato, cortocircuito sull'uscita, deriva termica, sovraccarico nell'alimentazione | | | |
| Raffreddamento | | Alette interne e ventilazione forzata (ventola con velocità controllata) | | | |
| Tensione di funzionamento | | 115 V / 230 V (secondo il modello), 50-60 Hz | | | |
| Consumo | | 350 W | 350 W | 700 W | 800 W |
| Corrente di spunto | | 8 A | 11 A | 15 A | 22 A |
| Ingresso cavo d'alimentazione | | IEC 10 A | IEC 10 A | IEC 16 A | IEC 16 A |
| Dimensioni (rack 19", 2 unità) | larghezza | 482 mm | 482 mm | 482 mm | 482 mm |
| | altezza | 88 mm | 88 mm | 88 mm | 88 mm |
| | profondità | 255 mm | 255 mm | 255 mm | 324 mm |
| Peso netto | | 9,5 kg | 11,2 kg | 12,2 kg | 16,6 kg |

Except possible errors and omissions.
RCF S.p.A. reserves the right to make modifications without prior notice.

Salvo eventuali errori ed omissioni.
RCF S.p.A. si riserva il diritto di apportare modifiche senza preavviso.

HEADQUARTERS:

RCF S.p.A. Italy
tel. +39 0522 274 411
e-mail: info@rcf.it

RCF UK
tel. 0844 745 1234
Int. +44 870 626 3142
e-mail: info@rcfaudio.co.uk

RCF France
tel. +33 1 49 01 02 31
e-mail: france@rcf.it

RCF Germany
tel. +49 2203 925370
e-mail: germany@rcf.it

RCF Spain
tel. +34 91 817 42 66
e-mail: info@rcfaudio.es

RCF Belgium
tel. +32 (0) 3 - 3268104
e-mail: belgium@rcf.it

RCF USA Inc.
tel. +1 (603) 926-4604
e-mail: info@rcf-usa.com



www.rcfaudio.com