

WOOFER L12P540

Professional Low Frequency Transducer

High power 12" woofer. Very good power handling, excellent linearity and very low distortion.

Very efficient heat dissipation is ensured by a radiator that is part of the basket design. The air is forced in the radiator thanks to a sealed spider design.

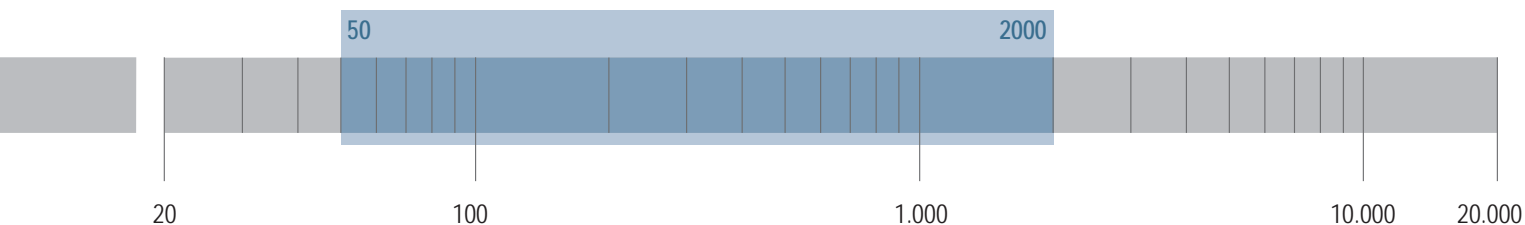
PART NUMBER 11145017

Features

- 3-inch, fibreglass inside-outside copper voice coil
- 800 Watt continuous program power handling
- 97 dB Sensitivity
- 50 Hz - 2 kHz Frequency range
- Spider dampening treatment
- M-roll surround and exponential cone geometry

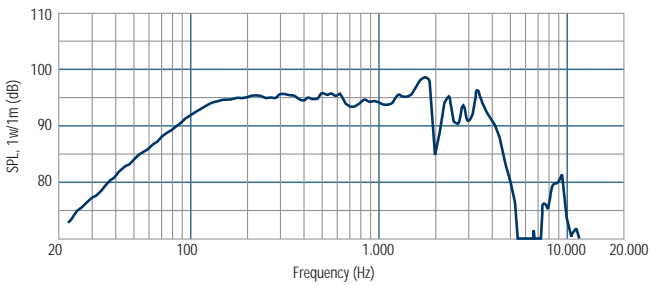
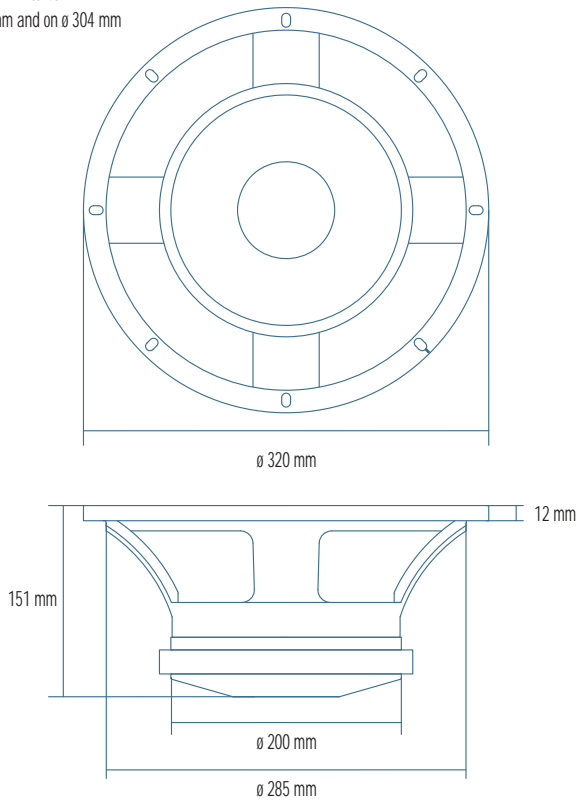
Applications

The excellent linear response, well controlled down to 50 Hertz, makes the L12P540 especially suitable for band-pass enclosures and small size bass reflex systems. It is a very good solution for two or three way system when a very high BL and good punch is required.





8 holes ϕ 7 mm to 45°
on ϕ 296 mm and on ϕ 304 mm



Frequency response curve of the loudspeaker taken in a hemispherical, free field environment and mounted in a closed box with an internal volume of 600 litres (21.2 cu.ft) enclosing the rear of the driver.



Impedance magnitude curve measured in free air.

Notes to Specifications

1 Program Power is defined as 3 dB greater than AES power. - 2 AES standard. - 3 Sensitivity measurement is based on a 100-500Hz pink noise signal with input power of 2.83V @ 8 Ohms. - 4 Thiele-Small parameters are measured after a 2 hour warm up period running the loudspeaker at full power handling capacity. - 5 The maximum linear excursion is calculated as: $(Hvc - Hg)/2 + Hg/4$ where Hvc is the voice coil depth and Hg the gap depth. - 6 Calculated for front mounting on 18 mm thick board.

General Specifications

Nominal Diameter	300/12	mm/inch
Rated Impedance	8	ohm
Program Power ¹	800	Watts
Power handling capacity ²	400	Watts
Sensitivity ³	97	dB
Frequency Range	50 - 2000	Hz
Effective Piston Diameter	260/10.2	mm/inch
Max Excursion Before Damage (peak to peak)	34/1.3	mm/inch
Minimum Impedance	7.4	ohm
Voice Coil Diameter	76/3	mm/inch
Voice Coil Material	Copper	
Voice Coil Winding Depth	18/0.7	mm/inch
Number of layers	2	
Kind of layer	inside/outside	
Top Plate Thickness	10/0.4	mm/inch
Cone Material	No pressed pulp	
Cone Design	Curved	
Surround Material	Polycotton	
Surround Design	M - roll	

Thiele - Small Parameters ⁴

Resonance frequency	Fs	59	Hz
DC resistance	Re	5.6	ohm
Mechanical factor	Qms	11	
Electrical factor	Qes	0.36	
Total factor	Qts	0.35	
BL Factor	BL	19.5	T · m
Effective Moving Mass	Mms	66	gr
Equivalent Cas air load	Vas	45	liters
Effettive piston area	Sd	0.053	m ²
Max. linear excursion (mathematical) ⁵	Xmax	6.5	mm
Voice - coil inductance @ 1KHz	Le1K	1.8	mH
Half-space efficiency	Eff	2.47	%

Mounting Information

Overall Diameter	320/12.6	mm/inch
Bolt Circle Diameter	296-304/11.7-12	mm/inch
Bolt Hole Diameter	7/0.3	mm/inch
Front Mount Baffle Cut-out	286/11.3	mm/inch
Rear Mount Baffle Cut-out	284/11.2	mm/inch
Depth	155/6.1	mm/inch
Volume occupied by the driver ⁶	2.3/0.08	liters/ft3

Shipping Information

Net Weight	8.5/18.7	Kg/Lbs
Shipping Weight	9/19.8	Kg/Lbs