

# MID-BASS L12/854K

Professional Low Frequency Transducer

High efficiency 12" mid-bass. Very high sensitivity, excellent linearity and very low distortion.

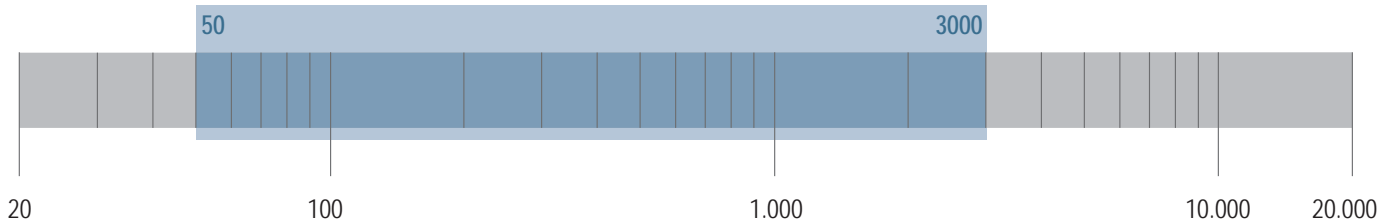
PART NUMBER 11140030

## Features

- 2,5-inch, Kapton former, copper voice coil
- 700 Watt continuous program power handling
- 98 dB Sensitivity
- 50 Hz - 3 kHz Frequency range
- M-roll surround and exponential cone geometry

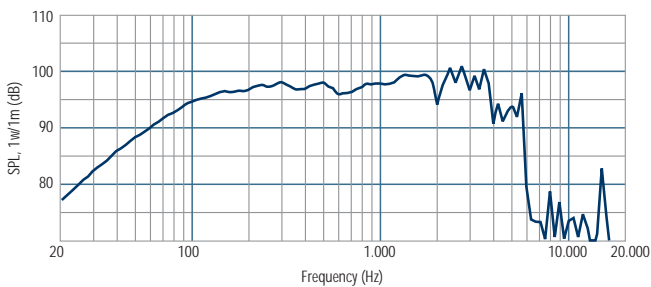
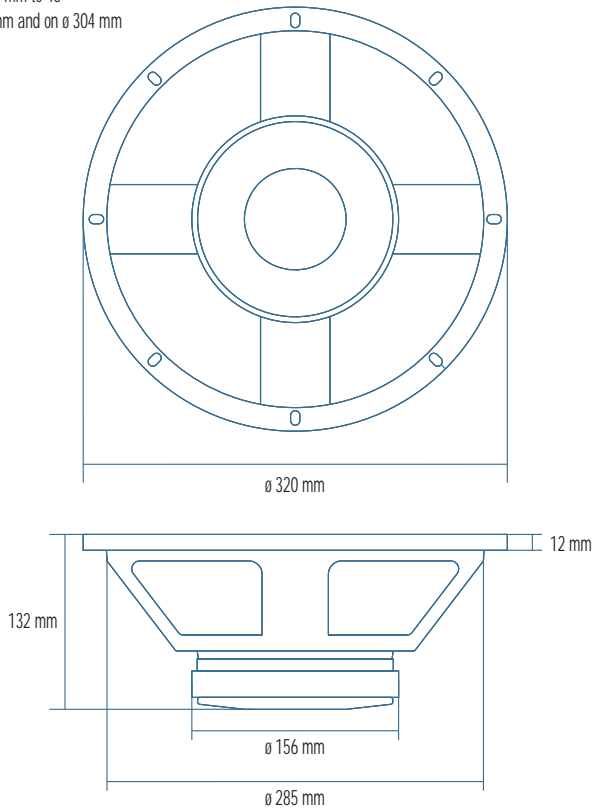
## Applications

A very light moving mass, a curve response linear above 3 kHz makes the L12/854K a very good solution for high quality two or three way system. Very easy to cross-over and ideal in conjunction to small size 1 inch compression drivers.

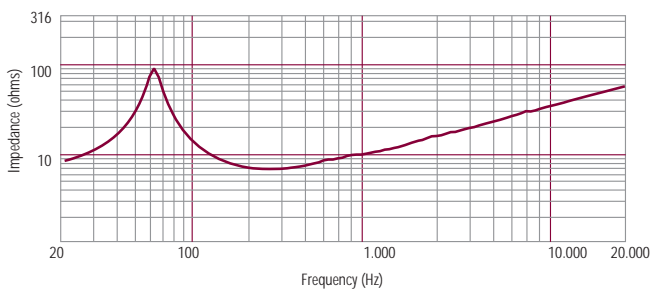




8 holes  $\varnothing$  7 mm to 45°  
on  $\varnothing$  296 mm and on  $\varnothing$  304 mm



Frequency response curve of the loudspeaker taken in a hemispherical, free field environment and mounted in a closed box with an internal volume of 600 litres (21.2 cu.ft) enclosing the rear of the driver.



Impedance magnitude curve measured in free air.

## Notes to Specifications

1 Program Power is defined as 3 dB greater than AES power. - 2 AES standard. - 3 Sensitivity measurement is based on a 200-2 kHz pink noise signal with input power of 2.83V @ 8 Ohms. - 4 Thiele-Small parameters are measured after a 2 hour warm up period running the loudspeaker at full power handling capacity. - 5 The maximum linear excursion is calculated as:  $(Hvc - Hg)/2 + Hg/4$  where Hvc is the voice coil depth and Hg the gap depth. - 6 Calculated for front mounting on 18 mm thick board.

## General Specifications

Nominal Diameter	320/12	mm/inch
Rated Impedance	8	ohm
Program Power <sup>1</sup>	700	Watts
Power handling capacity <sup>2</sup>	350	Watts
Sensitivity <sup>3</sup>	98	dB
Frequency Range	50 - 3000	Hz
Effective Piston Diameter	260/10.2	mm/inch
Max Excursion Before Damage (peak to peak)	30/1.2	mm/inch
Minimum Impedance	6.3	ohm
Voice Coil Diameter	64/2.5	mm/inch
Voice Coil Material	Copper	
Voice Coil Winding Depth	10/0.4	mm/inch
Number of layers	2	
Kind of layer	outside	
Top Plate Thickness	8/0.3	mm/inch
Cone Material	No pressed pulp	
Cone Design	Curved	
Surround Material	Polycotton	
Surround Design	M - roll	

## Thiele - Small Parameters <sup>4</sup>

Resonance frequency	Fs	67	Hz
DC resistance	Re	5.0	ohm
Mechanical factor	Qms	3.4	
Electrical factor	Qes	0.43	
Total factor	Qts	0.38	
BL Factor	BL	13.7	T · m
Effective Moving Mass	Mms	38	gr
Equivalent Cas air load	Vas	58	liters
Effettive piston area	Sd	0.053	m <sup>2</sup>
Max. linear excursion (mathematical) <sup>5</sup>	Xmax	3.0	mm
Voice - coil inductance @ 1KHz	Le1K	1.1	mH
Half-space efficiency	Eff	3.91	%

## Mounting Information

Overall Diameter	320/12.6	mm/inch
Bolt Circle Diameter	296-304/11.7-12	mm/inch
Bolt Hole Diameter	7/0.3	mm/inch
Front Mount Baffle Cut-out	286/11.3	mm/inch
Rear Mount Baffle Cut-out	284/11.2	mm/inch
Depth	137/5.4	mm/inch
Volume occupied by the driver <sup>6</sup>	2.2/0.08	liters/ft3

## Shipping Information

Net Weight	5.4/11.9	Kg/Lbs
Shipping Weight	5.9/13	Kg/Lbs