

WOOFER L15P540

Professional Low Frequency Transducer

High power 15" woofer. Very good power handling, excellent linearity and very low distortion.

Very efficient heat dissipation is ensured by a radiator that is part of the basket design. The air is forced in the radiator thanks to a dual sealed spider design.

PART NUMBER 11165015

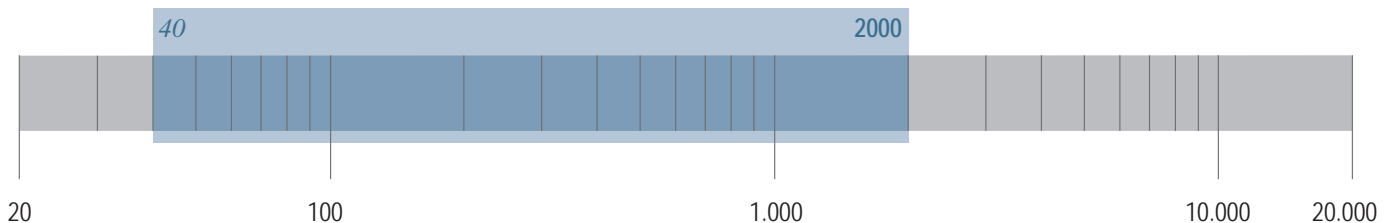
Features

- 3-inch, fibreglass inside-outside copper voice coil
- 1000 Watt continuous program power handling
- 98 dB Sensitivity
- 40 Hz - 2 kHz Frequency range
- Dual spider design with silicon based dampening control
- M-roll surround and exponential cone geometry

Applications

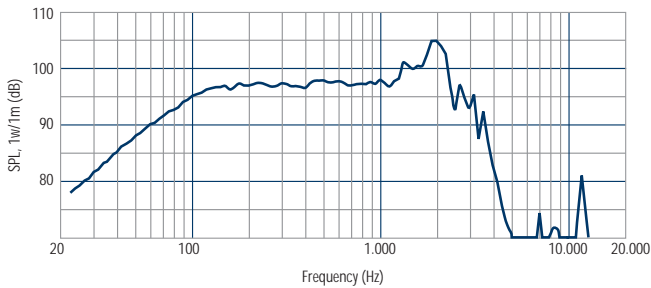
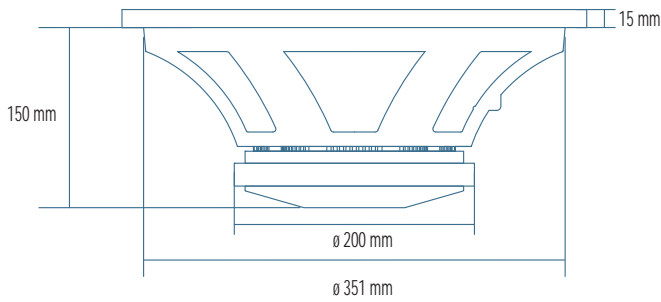
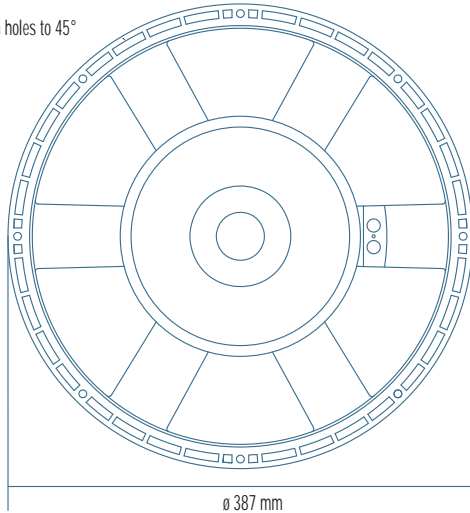
The excellent linear response, well controlled down to 40 Hertz, makes the L15P540 especially suitable for horn-loaded applications, band-pass enclosures and small size bass reflex systems.

It is a very good solution for two or three way system when a very high BL and maximum punch is required.

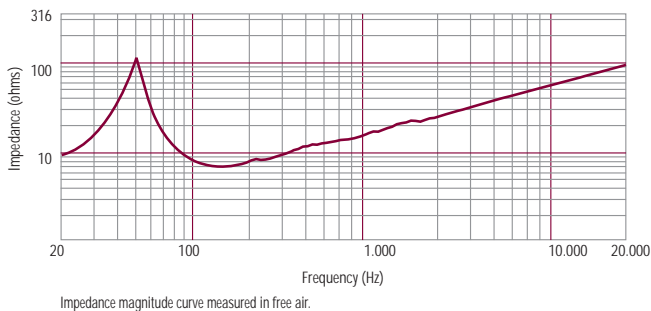




8 x ϕ 6.5 mm holes to 45°
on 371 mm



Frequency response curve of the loudspeaker taken in a hemispherical, free field environment and mounted in a closed box with an internal volume of 600 litres (21.2 cu.ft) enclosing the rear of the driver.



Impedance magnitude curve measured in free air.

General Specifications

| | | |
|--------------------------------------------|-----------------|---------|
| Nominal Diameter | 380/15 | mm/inch |
| Rated Impedance | 8 | ohm |
| Program Power ¹ | 1000 | Watts |
| Power handling capacity ² | 500 | Watts |
| Sensitivity ³ | 98 | dB |
| Frequency Range | 40 - 2000 | Hz |
| Effective Piston Diameter | 330/13 | mm/inch |
| Max Excursion Before Damage (peak to peak) | 36/1.4 | mm/inch |
| Minimum Impedance | 6.8 | ohm |
| Voice Coil Diameter | 76/3 | mm/inch |
| Voice Coil Material | Copper | |
| Voice Coil Winding Depth | 18/0.7 | mm/inch |
| Number of layers | 2 | |
| Kind of layer | inside/outside | |
| Top Plate Thickness | 10/0.4 | mm/inch |
| Cone Material | No pressed pulp | |
| Cone Design | Curved | |
| Surround Material | Polycotton | |
| Surround Design | M - roll | |

Thiele - Small Parameters ⁴

| | | | |
|---------------------------------------------------|------|-------|----------------|
| Resonance frequency | Fs | 50 | Hz |
| DC resistance | Re | 5.6 | ohm |
| Mechanical factor | Qms | 9.7 | |
| Electrical factor | Qes | 0.41 | |
| Total factor | Qts | 0.39 | |
| BL Factor | BL | 21.4 | T · m |
| Effective Moving Mass | Mms | 106 | gr |
| Equivalent Cas air load | Vas | 100 | liters |
| Effettive piston area | Sd | 0.085 | m ² |
| Max. linear excursion (mathematical) ⁵ | Xmax | 6.5 | mm |
| Voice - coil inductance @ 1KHz | Le1K | 1.5 | mH |
| Half-space efficiency | Eff | 2.94 | % |

Mounting Information

| | | |
|--------------------------------------------|----------|------------|
| Overall Diameter | 387/15.2 | mm/inch |
| Bolt Circle Diameter | 371/14.6 | mm/inch |
| Bolt Hole Diameter | 6.5/0.3 | mm/inch |
| Front Mount Baffle Cut-out | 352/13.9 | mm/inch |
| Rear Mount Baffle Cut-out | 360/14.1 | mm/inch |
| Depth | 163/6.4 | mm/inch |
| Volume occupied by the driver ⁶ | 3.8/0.13 | liters/ft3 |

Shipping Information

| | | |
|-----------------|----------|--------|
| Net Weight | 9.5/20.9 | Kg/Lbs |
| Shipping Weight | 10/22.0 | Kg/Lbs |

Notes to Specifications

1 Program Power is defined as 3 dB greater than AES power. - 2 AES standard. - 3 Sensitivity measurement is based on a 200-2 kHz pink noise signal with input power of 2.83V @ 8 Ohms. - 4 Thiele-Small parameters are measured after a 2 hour warm up period running the loudspeaker at full power handling capacity. - 5 The maximum linear excursion is calculated as: $(Hvc - Hg)/2 + Hg/4$ where Hvc is the voice coil depth and Hg the gap depth. - 6 Calculated for front mounting on 18 mm thick board.