

WOOFER L8S800

Professional Low Frequency Transducer

Very high linearity and low distortion are special features of this carbon-fibre cone transducer. The use of an RCF exponential carbon fibre cone of exceptional strength and light weight drastically reduces the break-up, thus ensuring a high level of efficiency and excellent transient response. The cone is completely water-repellent. Maximum care in the selection of the components and in the assembly process make the L8S800 an extremely reliable woofer.

PART NUMBER 11120007

Features

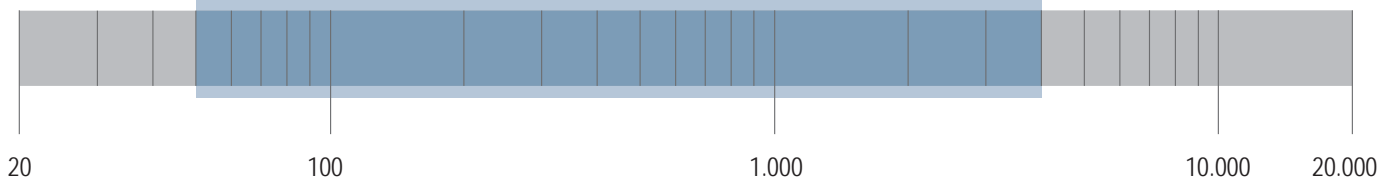
- 1.5-inch, Kapton former, copper voice coil
- 340 Watt continuous program power handling
- 93 dB Sensitivity
- 50 Hz - 4 kHz Frequency range
- Exponential, high strength, carbon fibre cone
- M-roll damped surround

Applications

The L8S800 is the ideal woofer for very compact, full range, bass reflex systems where a good balance between mid-bass linearity and low frequency extension is required. The light mass and mid-range extension is perfect for coupling to a small size driver or tweeter.

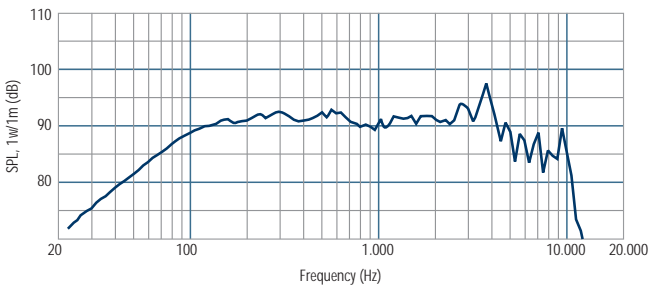
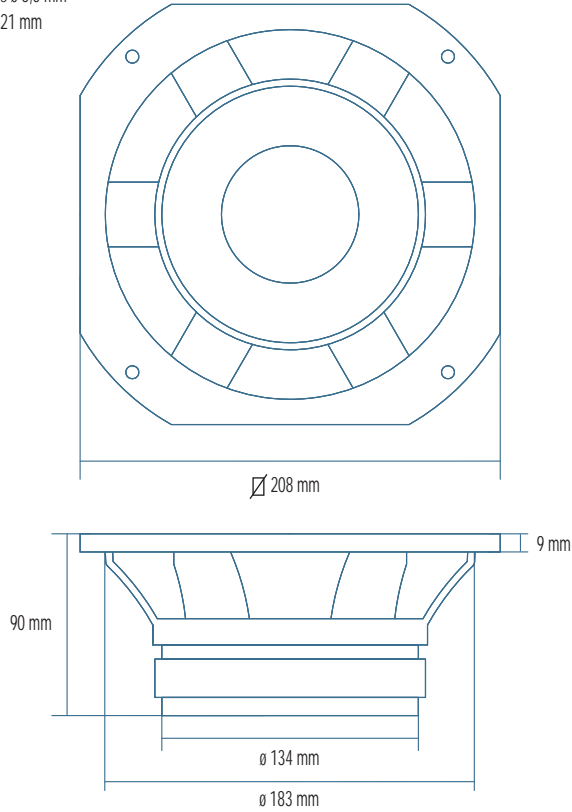


50 4000

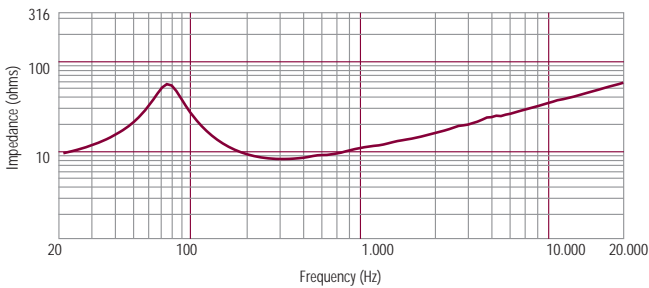




4 holes \varnothing 6,5 mm
on \varnothing 221 mm



Frequency response curve of the loudspeaker taken in a hemispherical, free field environment and mounted in a closed box with an internal volume of 600 litres (21.2 cu.ft) enclosing the rear of the driver.



Impedance magnitude curve measured in free air.

Notes to Specifications

1 Program Power is defined as 3 dB greater than AES power. - 2 AES standard. - 3 Sensitivity measurement is based on a 200-2 kHz pink noise signal with input power of 2.83V @ 8 Ohms. - 4 Thiele-Small parameters are measured after a 2 hour warm up period running the loudspeaker at full power handling capacity. - 5 The maximum linear excursion is calculated as: $(Hvc - Hg)/2 + Hg/4$ where Hvc is the voice coil depth and Hg the gap depth. - 6 Calculated for front mounting on 18 mm thick board.

General Specifications

Nominal Diameter	200/8	mm/inch
Rated Impedance	8	ohm
Program Power ¹	340	Watts
Power handling capacity ²	170	Watts
Sensitivity ³	93	dB
Frequency Range	50 - 4000	Hz
Effective Piston Diameter	165/6.5	mm/inch
Max Excursion Before Damage (peak to peak)	30/1.2	mm/inch
Minimum Impedance	7.3	ohm
Voice Coil Diameter	38/1.5	mm/inch
Voice Coil Material	Copper	
Voice Coil Winding Depth	15/0.6	mm/inch
Number of layers	2	
Kind of layer	outside	
Top Plate Thickness	7/0.3	mm/inch
Cone Material	Carbon fiber	
Cone Design	Curved	
Surround Material	Polycotton	
Surround Design	M - roll	

Thiele - Small Parameters ⁴

Resonance frequency	Fs	60	Hz
DC resistance	Re	6.1	ohm
Mechanical factor	Qms	4.1	
Electrical factor	Qes	0.46	
Total factor	Qts	0.41	
BL Factor	BL	10.3	T · m
Effective Moving Mass	Mms	21	gr
Equivalent Cas air load	Vas	22	liters
Effettive piston area	Sd	0.021	m ²
Max. linear excursion (mathematical) ⁵	Xmax	5.8	mm
Voice - coil inductance @ 1KHz	Le1K	0.9	mH
Half-space efficiency	Eff	1.00	%

Mounting Information

Overall Diameter	239/9.4	mm/inch
Bolt Circle Diameter	221/8.7	mm/inch
Bolt Hole Diameter	6.5/0.3	mm/inch
Front Mount Baffle Cut-out	184/7.24	mm/inch
Rear Mount Baffle Cut-out	184/7.24	mm/inch
Depth	94/3.7	mm/inch
Volume occupied by the driver ⁶	0.8/0.03	liters/ft3

Shipping Information

Net Weight	3.1/6.8	Kg/Lbs
Shipping Weight	3.3/7.3	Kg/Lbs