

NDT995

DRIVER



TECHNICAL SPECIFICATIONS

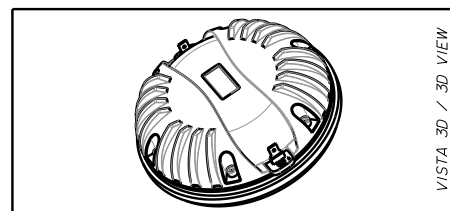
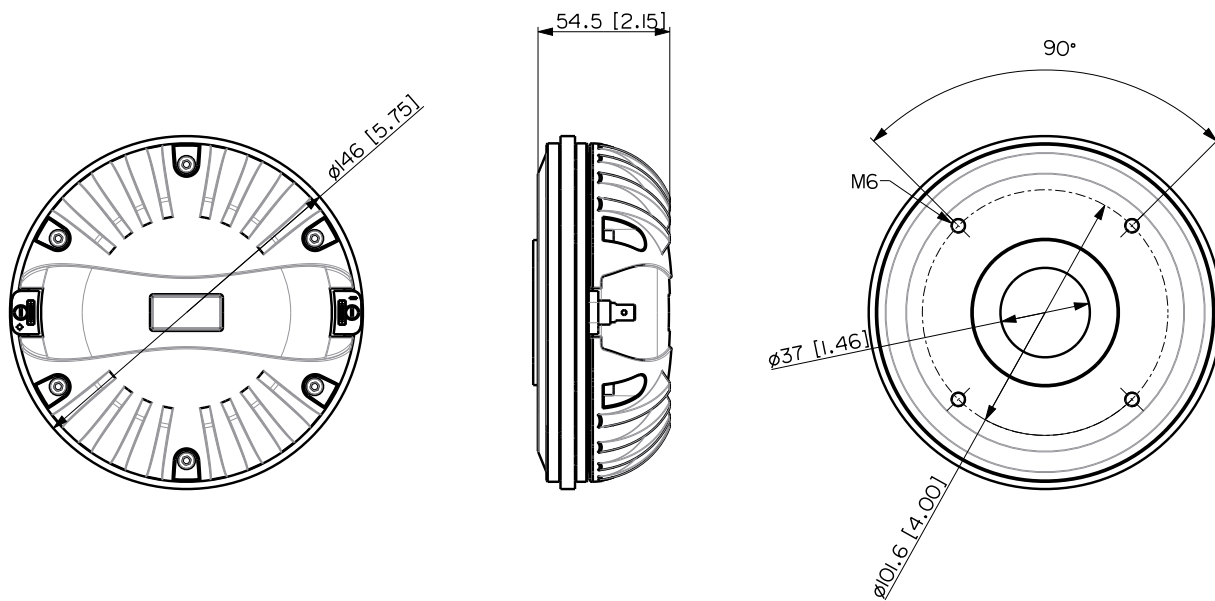
General specifications	Exit Throat Diameter:	1.4 inch / 36 mm
	Related Impedance:	8 ohm
	Program Power (watt):	280 W
	Power handling capacity (watt):	140 W
	Sensitivity:	110 dB
	Frequency range:	500 - 20000 Hz
	Suspension Design:	Flat
	Minimum Impedance (ohm):	8.50 ohm
	Voice Coil Diameter:	4.0 inch / 102 mm
	Voice Coil Former Design:	Direct Drive Kapton
	Number of layers:	1
	Kind of layers:	inside/outside
	Flux Density:	2.0 T
	Phase Plug Design:	4 slot
Thiele - small parameters	BI factor (BI) (T x m):	17.60 T x m
Mounting information	Overall diameter:	146 mm / 5.75 inches
	Overall height:	55 mm / 2.17 inches
	Mounting:	4 x 6 mm threaded holes at 90°
Standard compliance	Safety agency:	CE compliant
Shipping information	Package Height:	79 mm / 3.11 inches
	Package Width:	169 mm / 6.65 inches
	Package Depth:	171 mm / 6.73 inches
	Package Weight:	2.92 kg / 6.44 lbs

PART NUMBER

- **15100033**

NDT995

8ohm



VISTA 3D / 3D VIEW

	C.DRIVER NDT995 8 OHM	REV. A
--	-----------------------	-----------

