



H 254

1" Dome H 254, High Fidelity Dome Tweeter

Chassis: aluminium, black.

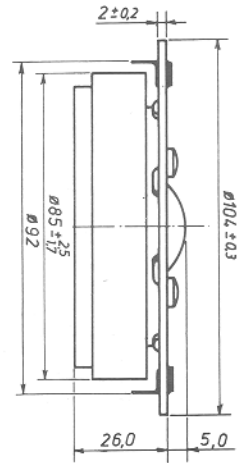
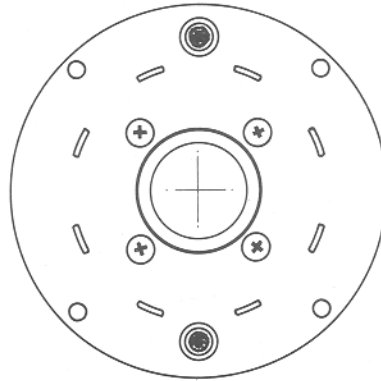
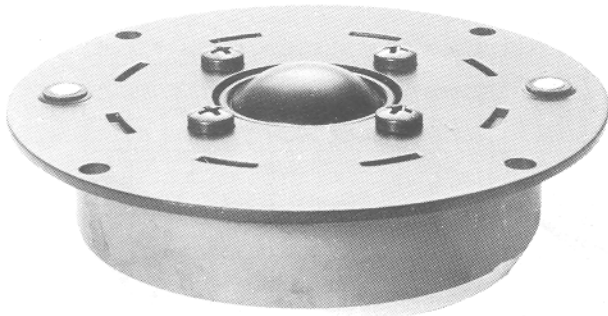
Diaphragm: soft dome, polyamide, black.

Mounting holes: 4 x 5 mm, equispaced on PCD 95 mm

The H 254 is a 1" dome tweeter featuring extra high efficiency and smooth response in its operating range. With proper filtering the H 254 can be used in two way systems with more than 80 W power handling capacity.

The soft diaphragm of the H 254 is vacuum formed from a high loss plastic foil with a shape optimized for the high frequency range.

The addition of magnetic oil (ferro fluid) to the voice coil gap, measurably improves the performance. The short term power handling capacity is considerably increased, the Q value at resonance is significantly reduced simplifying crossover design and the compression at high power levels is reduced.



Technical data:

6 ohms

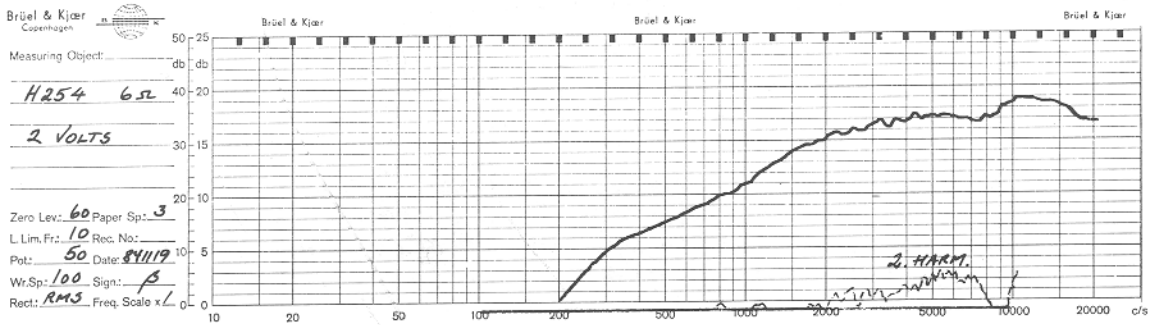
Recommended frequency range	3000-25 000	Hz	Voice coil resistance:	4,8	ohms
Nominal power (DIN 45573)	80	W 1)	Effective diaphragm area	7	cm ²
Music power (DIN 45500)	-	W	Moving mass	0,3	g
Characteristic sensitivity (1m,1w)	92	dB SPL	Free air resonance	1400	Hz
Operating power (DIN 45500):	2,5	W	Weight	0,85	kg
Voice coil diameter	26	mm	Magnet weight	0,36	kg
Voice coil height	1,5	mm			
Air gap height	2,0	mm			
Flux density:	2,2	T			
Force factor	4,4	Wb/m			

1) Crossover frequency 3500 Hz, 12 dB/oct.

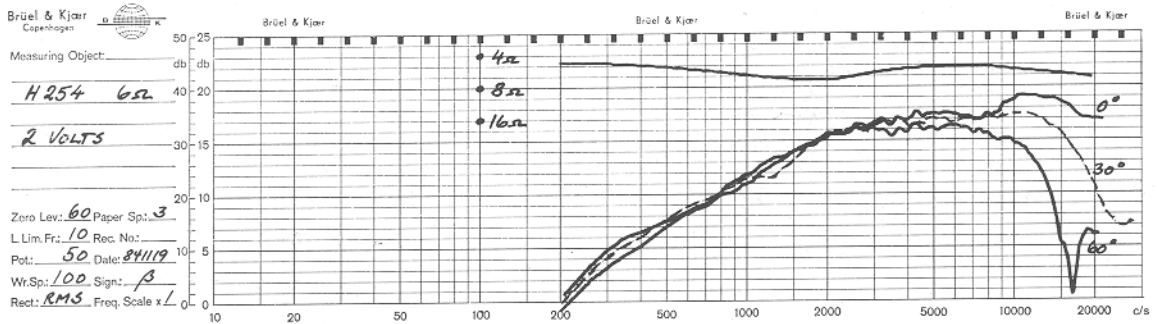
NOTES:

Response curves recorded in anechoic chamber (Free-Field, 4π -radiation) with 0.5 m microphone distance. The loudspeaker is mounted in a 0.6 m by 0.8 m baffle:

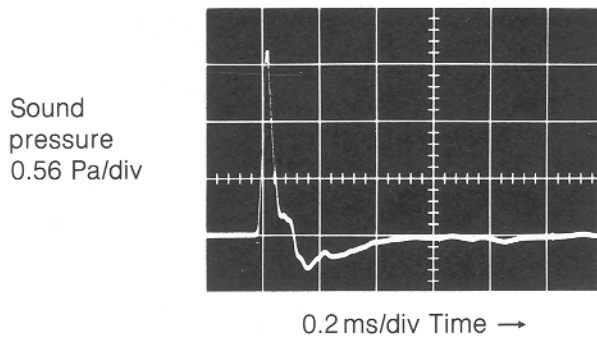
A Sound pressure on and off axis, and impedance:



B Sound pressure and distortion on axis. The distortion components are raised by 20 dB:



C Sound pressure response to 4 Volts step function:



Seas Fabrikker a.s
 P.O.Box 600, Høyden, N-1501 Moss, Norway
 Phone +47-32-65 811
 Telex N 18419

Note: New telex no. 78419 SEAS N from June 20. 1985