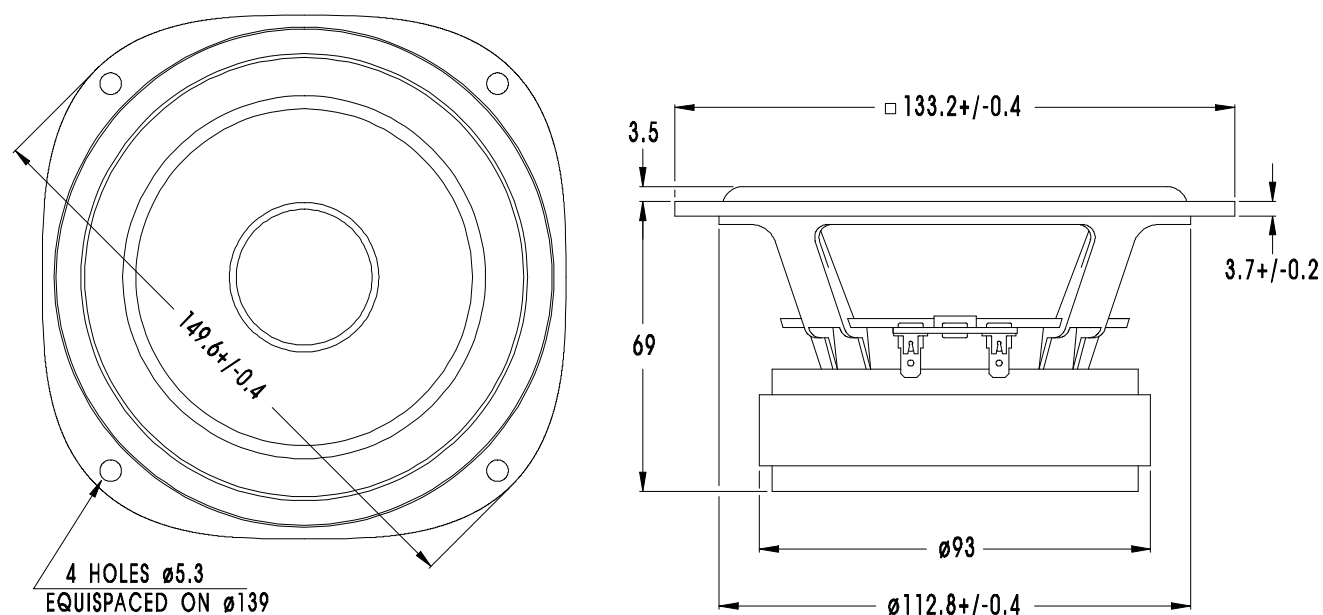


WOOFER

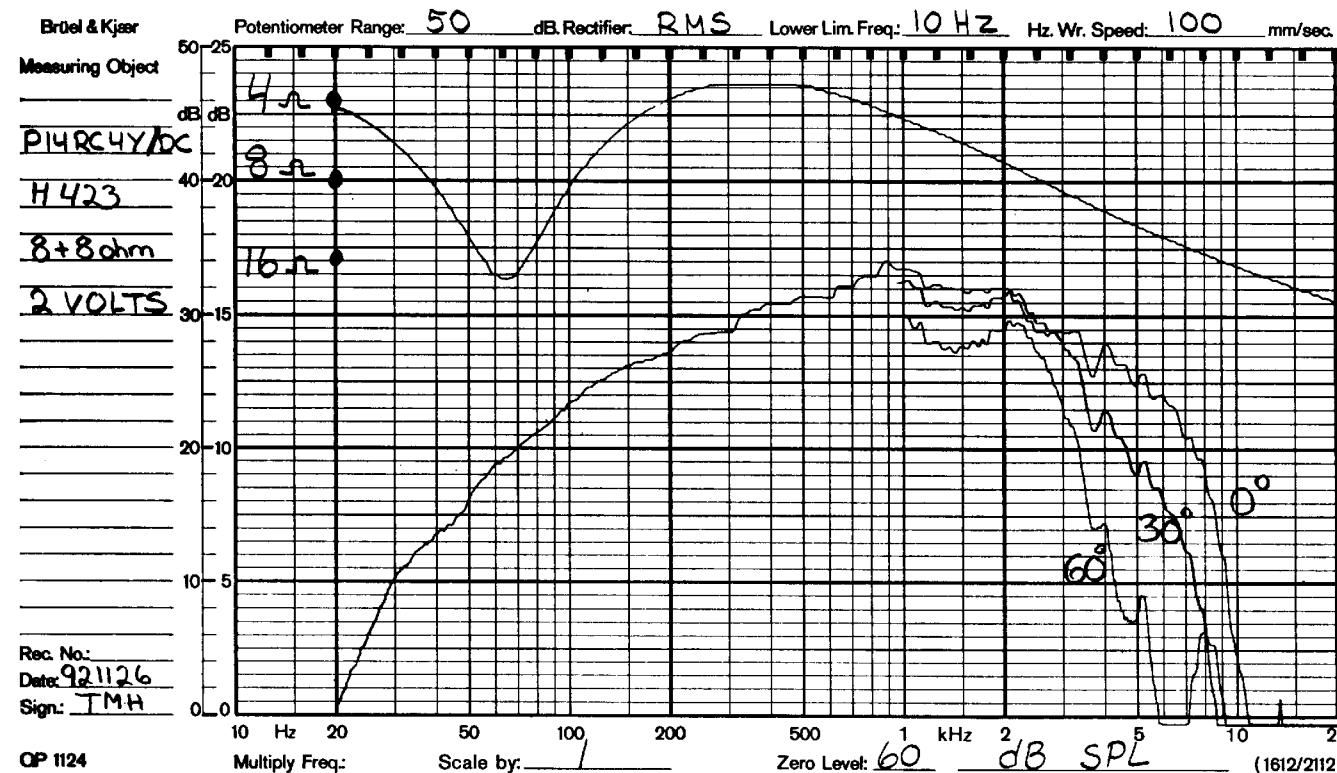
P14RC4Y/DC



P14RC4Y/DC is a 5" High Fidelity woofer with a stiff and stable injection moulded metal chassis. A fine low frequency response and a clean uncoloured midrange make small, high quality two way systems possible. High efficiency and smooth frequency response are the products of carefully matched polypropylene cone, a natural rubber surround and a soft PVC dust cap. The large magnet system provides high sensitivity and low Q for bass reflex applications. The two independently terminated voice coils offer new possibilities in response shaping.

NOTES

Response curve recorded in anechoic chamber (Free-field, 4 pi radiation) with 0.5m microphone distance. The loudspeaker is mounted in a closed box of 7 l net. volume



NOMINAL IMPEDANCE	8/8 Ohms	VOICE COIL RESISTANCE	2.6 Ohms
RECOMMENDED FREQUENCY RANGE	43-4000 Hz	VOICE COIL INDUCTANCE (EQUIVALENT)	0.5 mH
SHORT TERM MAXIMUM POWER*	250 W	FORCE FACTOR	5.6 N/A
LONG TERM MAXIMUM POWER*	75 W	FREE AIR RESONANCE	35 Hz
CHARACTERISTIC SENSITIVITY (1W, 1m)	88 dB SPL	MOVING MASS	9.2 g
OPERATING POWER (96 dB SPL, 1 m)	6.3 W	AIR LOAD MASS IN IEC BAFFLE	0.5 g
		SUSPENSION COMPLIANCE	2.2 mm/N
VOICE COIL DIAMETER	26 mm	SUSPENSION MECHANICAL RESISTANCE	2.5 Ns/m
VOICE COIL HEIGHT	12 mm	EFFECTIVE PISTON AREA	80 sq.cm
AIR GAP HEIGHT	6.0 mm		
LINEAR COIL TRAVEL (p-p)	6.0 mm	VAS	19.1 Litres
MAXIMUM COIL TRAVEL (p-p)	14 mm	QMS	0.85
MAGNETIC GAP FLUX DENSITY	1.0 T	QES	0.18
MAGNET WEIGHT	0.42 Kg	QTS	0.15
TOTAL WEIGHT	1.25 Kg		

The above data is obtained with the coils connected in paralell

* = IEC 268-5