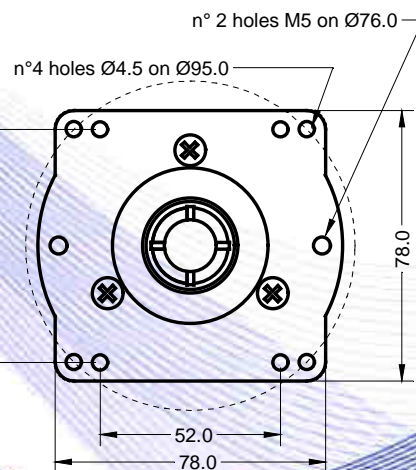
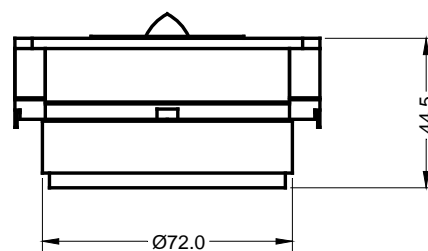


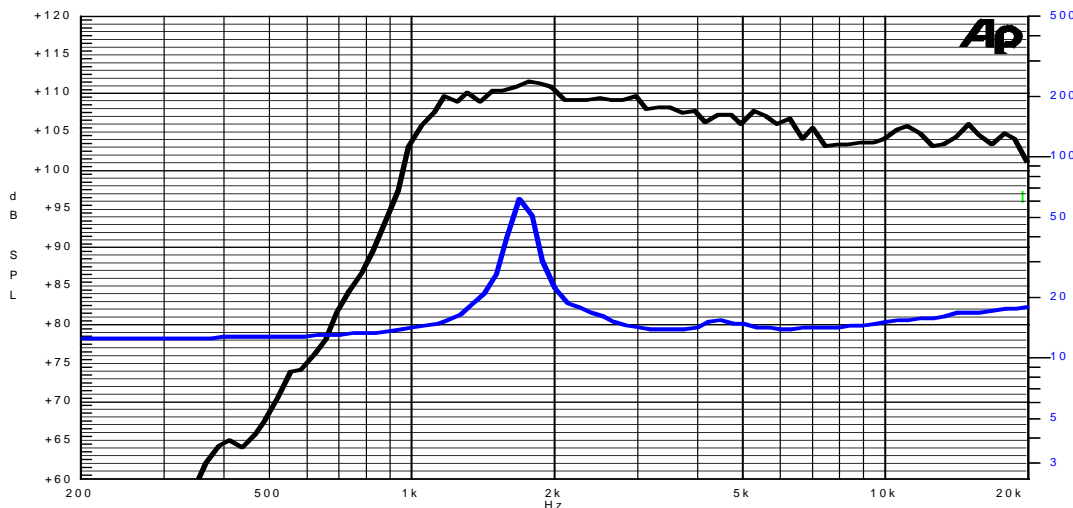
- 1" voice coil Kapton former aluminium wire
- 1" horn throat diameter
- Tri-acetate diaphragm
- Ferrite magnet circuit
- 106.5 dB sensitivity



Specifications	
Nominal Diameter	78mm
Nominal Impedance	16Ω
Rated Power AES <sup>(1)</sup> (2000 - 20000 Hz)	16W
Continuous Program Power <sup>(2)</sup>	32W
Sensitivity @ 1W/1m <sup>(3)</sup>	106.5dB
Voice Coil Diameter	25mm (1")
Voice Coil Winding Depth	1.7mm
Magnetic Gap Depth	2.0mm
Flux Density	1.56T
DC Resistance	12.00Ω
Resonance Frequency	1700Hz
Magnet Weight	245g
Net Weight	0.60kg
Recommended Crossover Frequency	2.5kHz
Throat Diameter	25.4mm (1")

Constructive Characteristics	
Magnet	: Ferrite
Voice Coil Winding Material	: Aluminium
Voice Coil Former Material	: Kapton
Diaphragm	: Tri-acetate film
Ferrofluid in Air Gap	: No
Spare Part Code	: Z009375

Free Air Frequency Response with 6x8 inches horn @ 1W,1m – Impedance (without horn)



Note:  
 1 : Rated Power measured with 2 hours test with pink noise signal, 6dB crest factor, loudspeaker mounted on enclosure  
 2: Power on Continuous Program is defined as 3 dB greater than the Rated Power  
 3: Measured at 1W,1m in axis within the frequency range  
 4: Drawing dimensions: mm