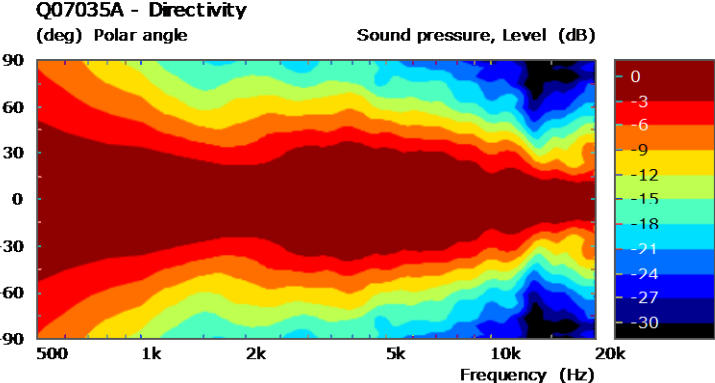
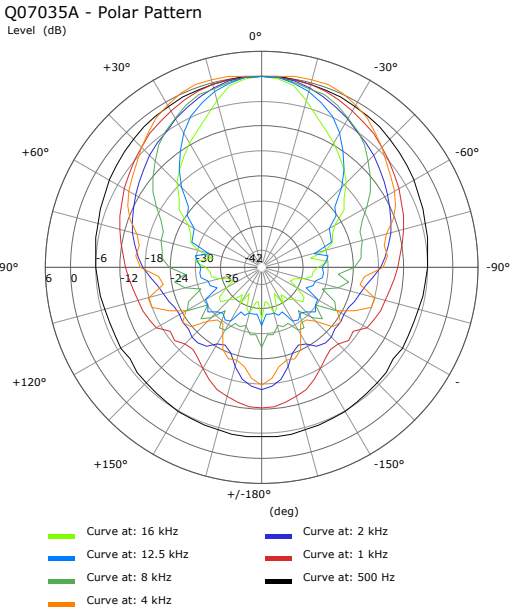
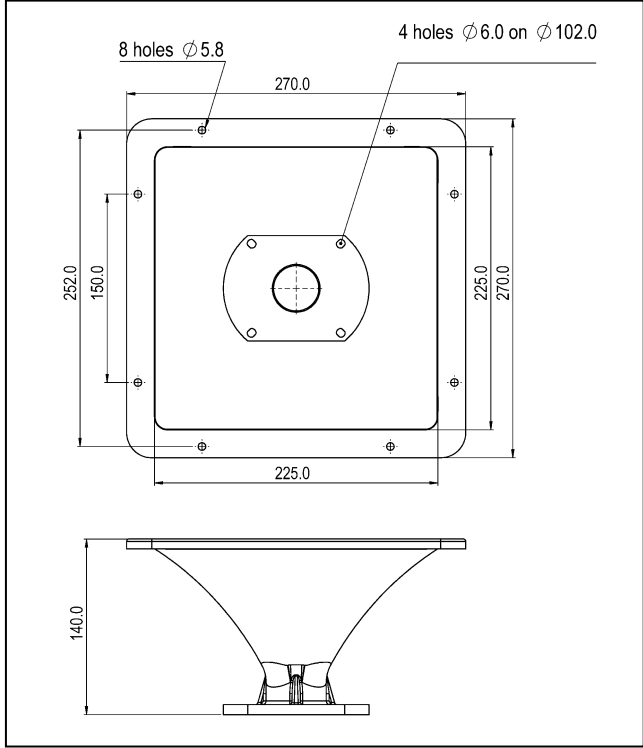


SPECIFICATIONS		
Throat Diameter	35.5	mm (1.4")
Cutoff Frequency	0.9	kHz
Net Weightl.....	0.73	Kg
Horizontal coverage	80°	
Vertical coverage	80°	
Material	Plastic	
Shape.....	Square	
MOUNTING INFORMATION		
Overall Dimensions	270x270x140 mm	
Baffle Cutout Dimensions.....	Φ225x225 mm	
Mounting Holes.....	8 holes Φ5.8 mm	
NOTE		



Due to continuing product improvement, the features and the design are subject to change without notice.

10/05/16